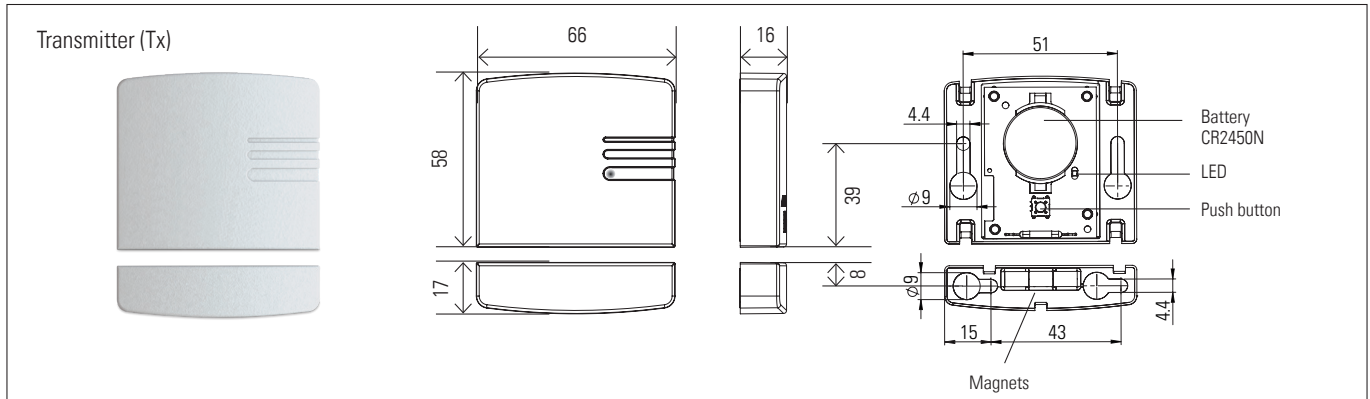


# XRF-TW

Transmitter for wicket doors to XRF wireless transmission system

## Original operating instructions

**Intended use: Monitoring wicket doors on industrial doors, in combination with a receiver XRF**



## Safety instructions

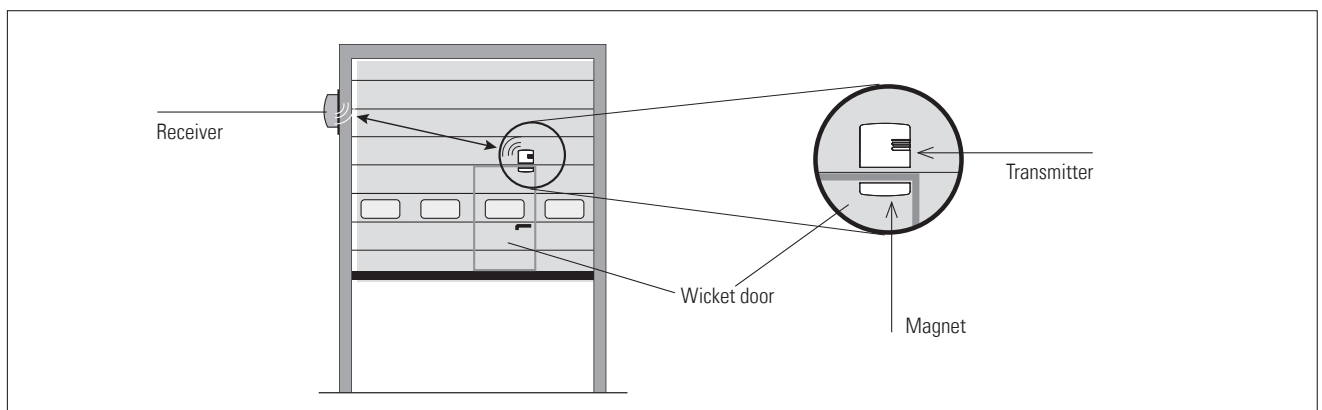


- Read these operating instructions thoroughly before putting the device into operation and keep them for future reference.
- Do not use this product other than for its specified application.
- Only trained and qualified personnel may install and initialize the device.
- Only authorized factory personnel may perform hardware/software changes or repairs to the product.
- Failure to follow these safety precautions may cause damage to sensor or objects, serious personal injury, or death.
- It is the responsibility of the equipment manufacturer to carry out a risk assessment and to install the system, in compliance with applicable local, national and international regulations, safety standards, codes and laws as well as the Machinery Directive 2006/42/EC, should this apply.
- Always consider the safety functions of your applications as a whole, never just in relation to one individual section of the system.
- The installer is responsible for testing the system to ensure it meets all applicable safety standards.
- Safety devices that are classified as Category 2 according to EN ISO 13849-1 must be tested regularly – at least once per cycle.
- If the safety device is not requested operationally at least once a year, it must be checked manually by the operator at least once a year.
- Pay attention to all local relevant electrical safety regulations.
- Protect the device with a housing against contamination or aggressive environments.
- This device contains batteries.
- Observe the local regulations for battery disposal.
- After accessing the inside of the sensor, ensure the cover/protection seal is closed tightly to achieve designated protection rating.

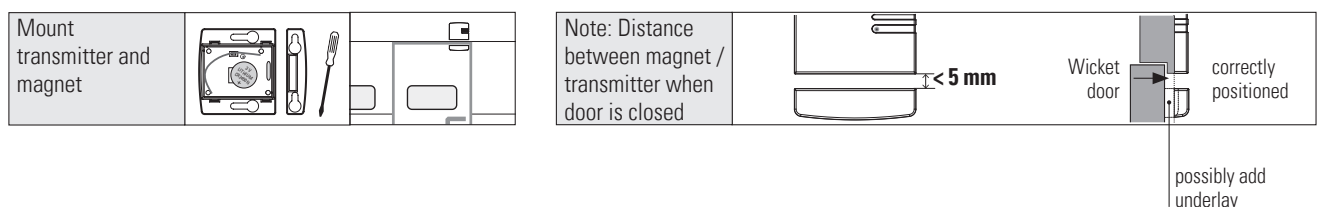
## 1 Common application

### 1.1 Industrial door with wicket door

Transmitter for wicket door monitoring to stop the door moving when the wicket door is open.



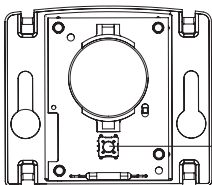
## 2 Mounting and set-up



### 3 Pairing

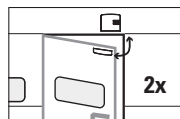
Pairing is possible with open cover or later when already mounted.

#### 3.1.a Pairing with open cover



After initiating pairing on Rx:  
Press button

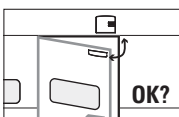
#### 3.1.b Pairing when mounted



After initiating pairing on Rx:  
By opening the door two times  
within 2 sec.

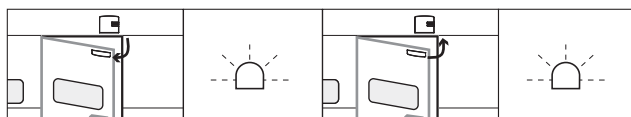
Further details see manual of receiver

### 3.2 Functional check



Check the function  
by opening the wicket door

Does the door stop when wicket door is opened?



Flashes  
red

Flashes  
red

### 4 Trouble shooting

#### 4.1 Warning indicator for low battery voltage



Every minute

To find out which transmitter has low  
battery voltage: Press each edge and  
open / close the wicket door.



Battery good

Battery bad

#### 4.2 Battery change

- 1 Open housing by pulling on cover
- 2 Remove battery
- 3 Insert new battery

- 4 Close the cover
- 5 Dispose battery according to local regulations

ⓘ Use type CR2450N because CR2450 does not fit!

### 5 Technical data

Transmitter	
Input	Magnetic switch
Battery power	1x Lithium 3 V (CR2450N)
Battery life	up to 1.2 years *)
Protection class IEC 60529	IP65

\*) Recommendation: Change battery every year.

System	
Range	60 m (at optimal condition)
Operating temperature	-20 °C to +60 °C

### 6 EU Declaration of Conformity



See attachment

### 7 WEEE



Devices with this symbol must be treated separately during disposal. This must be done in accordance with the laws of the respective countries for environmentally sound disposal, processing and recycling of electrical and electronic equipment.

### 8 Contact

**BBC Bircher Smart Access**, BBC Bircher AG, Wiesengasse 20, CH-8222 Beringen, [www.bircher.com](http://www.bircher.com)