

Order information

ECO Newton TS-41 ■ Door closer with slide rail

Product information

Closing force 1 – 4, tested acc. to **EN 1154 A** (for door width up to 1.100 mm) continuously adjustable. Latching speed and closing speed continuously adjustable. Back-check fixed. Same version DIN left and DIN right. Mounting height only 41 mm. Weight: 1.380g. Max. door opening angle: 180°

- **ECOunity:** The ECO Newton closer portfolio covers all door dimensions with only two basic closer units. One execution for all four mounting types.
- **ECOphysis:** Door closer and slide rail build a unit in aluminium and stainless steel
- **ECOcllic:** The stainless steel cover encloses the aluminium body with the power of spring steel and conceals all of the adjusting elements, thus securing the closer against unauthorized access.
- **ECOmout:** Optional mounting plate, acc. to **EN 1154**, supplementary sheet 1 – nur with slide rail B
- **ECOvalve:** Simple, high-precision and permanently secure adjustment of all parameters of the closing process with one conventional Allen key.
- **ECOcover²:** Optional stainless steel cover for the ECO Newton door closers and related slide rails. Please order the lever arm in stainless steel look for the perfect overall appearance.
- **ECOgreen:** The intelligent construction and carefully planned use of materials help considerably to save resources
- **ECOline:** The mounted slide rail and door closer are flush when the door is closed. The colours of all materials are perfectly matched - right down to the end caps of the slide rail K
- **ECOvario:** perwiths the use of all slide rail door closers and can even be combined with different door leaf widths. In this way, optimum value for money can be achieved for each individual door situation.

New packaging:

TS-41 B: (Mounting acc. DIN holes) Set incl. door closer, slide rail B, arm for slide rail B, mounting plate, mounting instructions, paper template and fixing material.

TS-41 K: (Mounting set incl. door closer, slide rail K, arm for slide rail K, paper template and fixing material)

Article numbers

Door closer** slide rail B	Colour	Article number
TS-41 B (1 – 4)	Silver RAL 9006*	304152F11A00590
TS-41 B (1 – 4)	White RAL 9016	304152F11E00590
TS-41 B (1 – 4)	Brown RAL 8014	304152F11D00590
TS-41 B (1 – 4)	Black RAL 9005	304152F11G00590



Door closer*** slide rail K	Colour	Article number	Door closer*** without slide rail	Colour	Article number
TS-41 K (1 – 4)	Silver RAL 9006*	304152F11A00910	TS-41 (1 – 4)	Silver RAL 9006*	354152F11A00010
TS-41 K (1 – 4)	White RAL 9016	304152F11E00910	TS-41 (1 – 4)	White RAL 9016	354152F11E00010
TS-41 K (1 – 4)	Brown RAL 8014	304152F11D00910	TS-41 (1 – 4)	Brown RAL 8014	354152F11D00010
TS-41 K (1 – 4)	Black RAL 9005	304152F11G00910	TS-41 (1 – 4)	Black RAL 9005	354152F11G00010

*Door closer body in silver RAL 9006, ECOcllic stainless steel satin, polished on request.

**Scope of delivery: Incl. mounting plate for DIN holes.

***Scope of delivery: Without mounting plate.



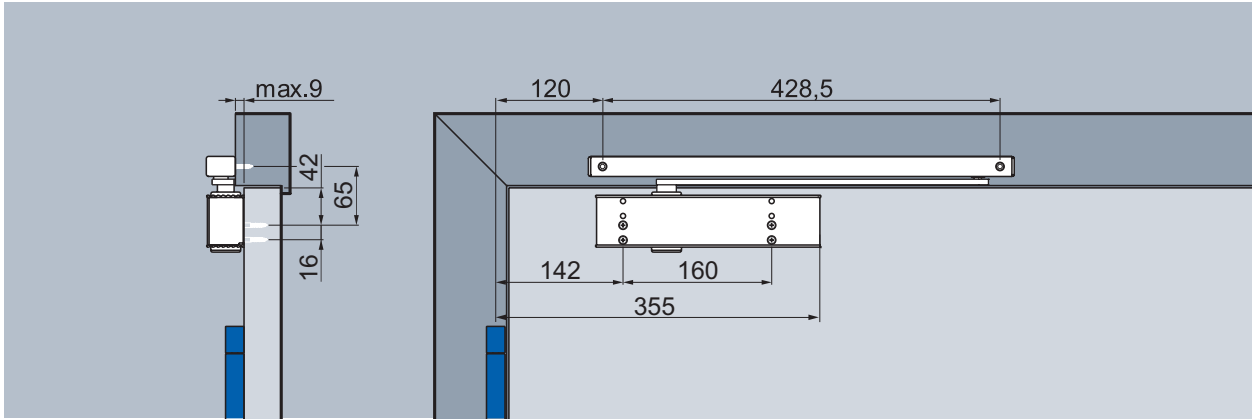
ECO Newton Highlights in detail.

Two units for the entire building

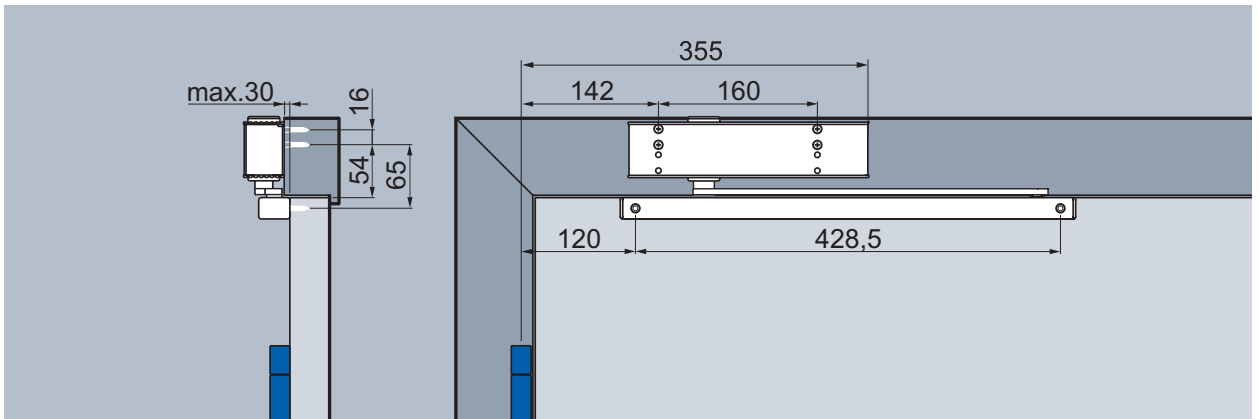
The ECO Newton closer portfolio covers all door dimensions with only two basic closer units. In addition to this, end-mounted valve technology permits the mounting of the same closer on the hinge- and hinge-opposite side (TS-31/41).

Hinge side

Mounting with slide rail B, illustration DIN left door, DIN right laterally reversed



Standard mounting with slide rail B, hinge side (Mounting, with mounting plate)



Head mounting with slide rail B, hinge side (Mounting, with mounting plate)

Closing speed

Continuously adjustable closing speed from approx. 180° to 0°

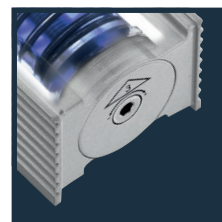
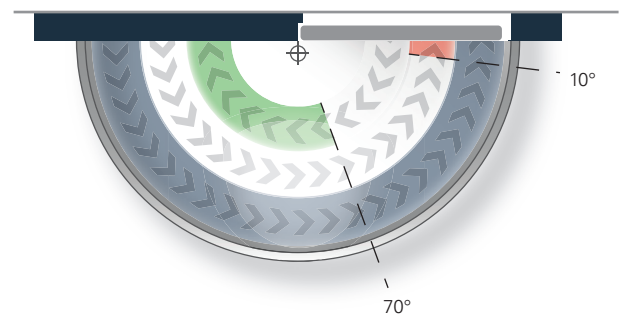
Latching speed

Increases the closing speed and thus the safe closing of the door, for example to overcome door seals, door locks and high air pressure. Continuously adjustable, works between 10 to 0°

Back-check

Reduces the opening speed starting at 70° and avoids the slamming of the door. Back-check fixed

Closing force diagram ECO Newton TS-41, hinge side



Closing force:

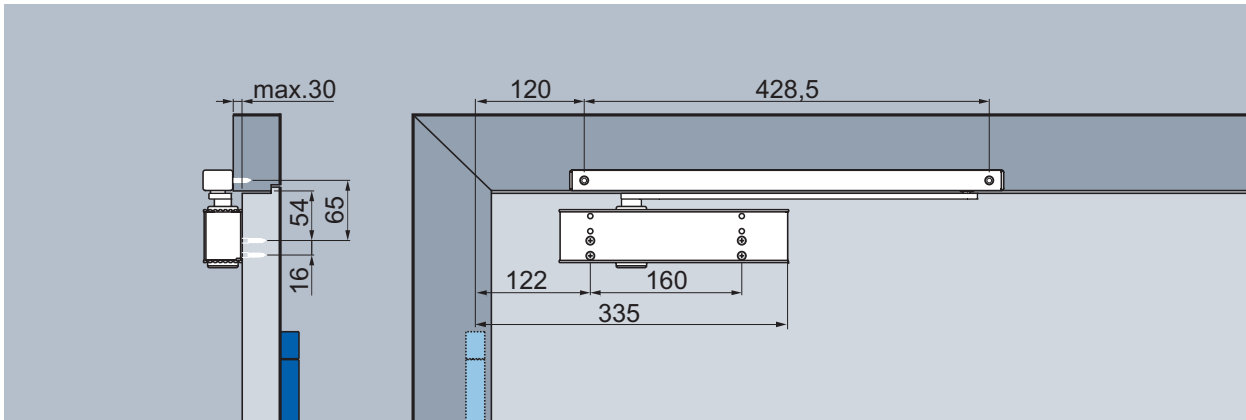
Continuously adjustable min. size 1
max. size 4

Default delivery condition: size 3

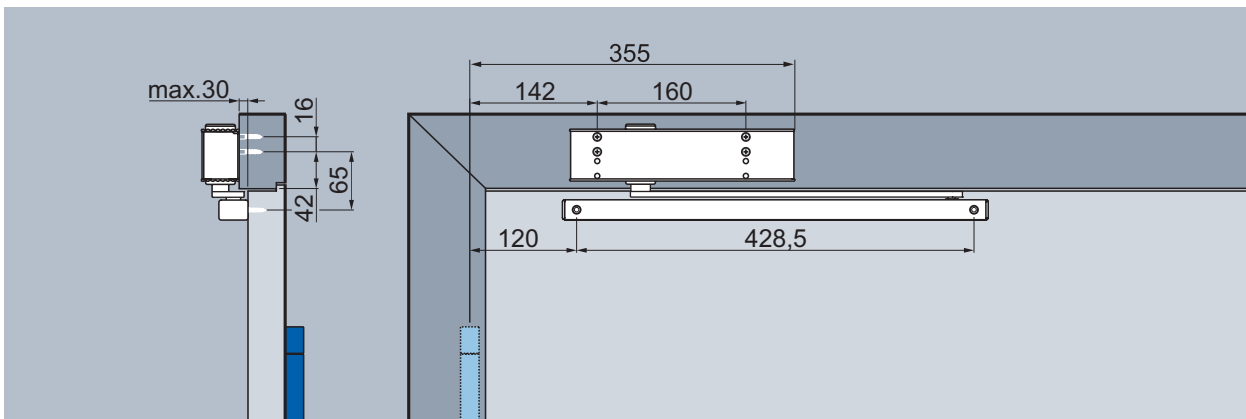


Hinge-opposite side

Mounting with slide rail B, illustration DIN right door, DIN right laterally reversed



Standard mounting with slide rail B, hinge-opposite side (Mounting, with mounting plate)



Head mounting with slide rail B, hinge-opposite side (Mounting, with mounting plate)

Closing speed

Continuously adjustable closing speed from approx. 140°* to 0°

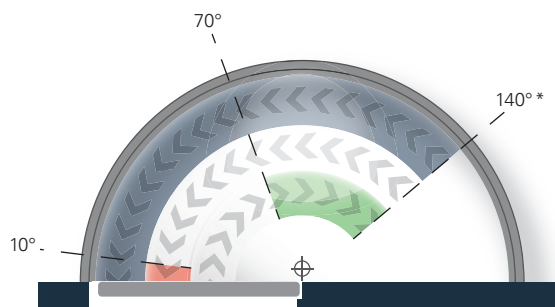
Latching speed

Increases the closing speed and thus the safe closing of the door, for example to overcome door seals, door locks and high air pressure. Continuously adjustable, works between 10 to 40°

Back-check

Reduces the opening speed starting at 70° and avoids the slamming of the door. Back-check fixed

Closing force diagram ECO Newton TS-41, hinge-opposite side



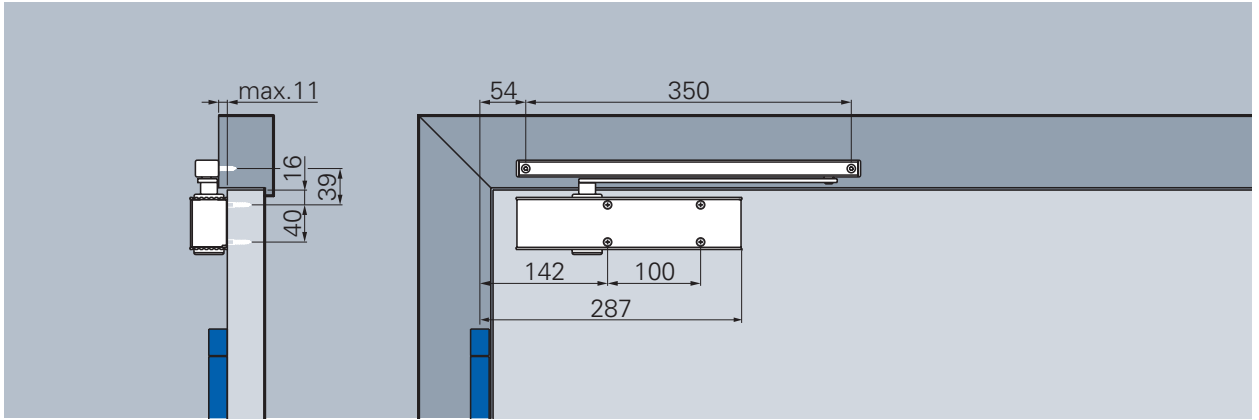
*Varies according to door thickness and type of hinge

A door stopper for opening limit is a must!

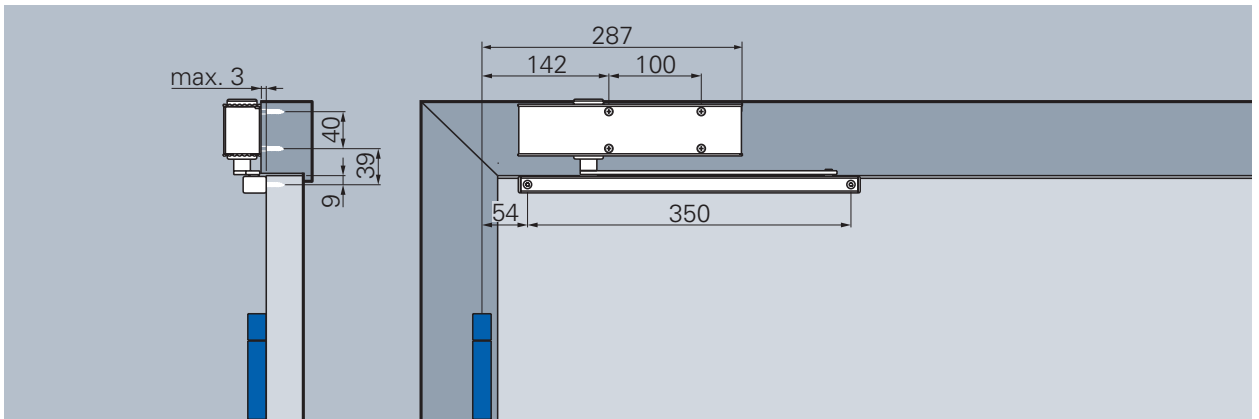


Hinge side

Mounting with slide rail K, illustration DIN left door, DIN right laterally reversed



Standard mounting with slide rail K, hinge side (direct mounting, without mounting plate)



Head mounting with slide rail K, hinge side (direct mounting, without mounting plate)

Closing speed

Continuously adjustable closing speed from approx. 180° to 0°

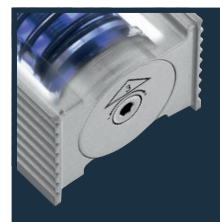
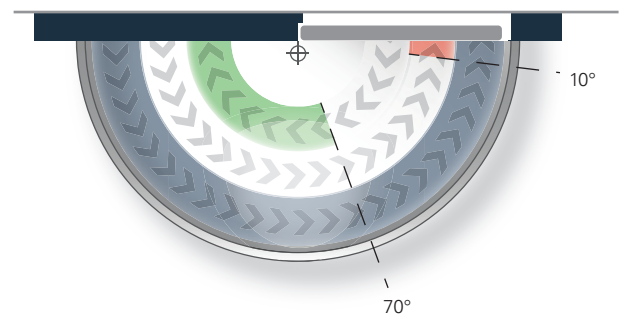
Latching speed

Increases the closing speed and thus the safe closing of the door, for example to overcome door seals, door locks and high air pressure. Continuously adjustable, works between 10 to 0°

Back-check

Reduces the opening speed starting at 70° and avoids the slamming of the door. Back-check fixed

Closing force diagram ECO Newton TS-41, hinge side



Closing force:

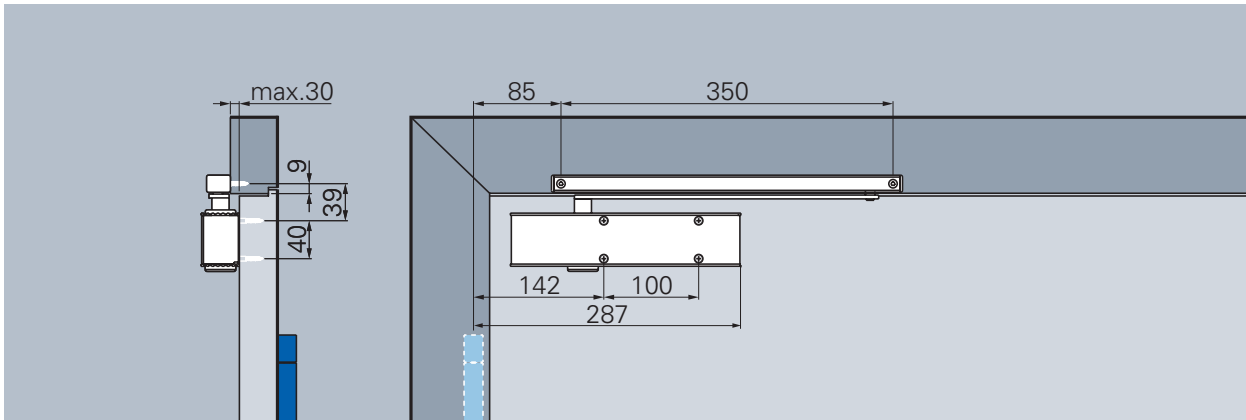
Continuously adjustable min. size 1
max. size 4

Default delivery condition: size 3

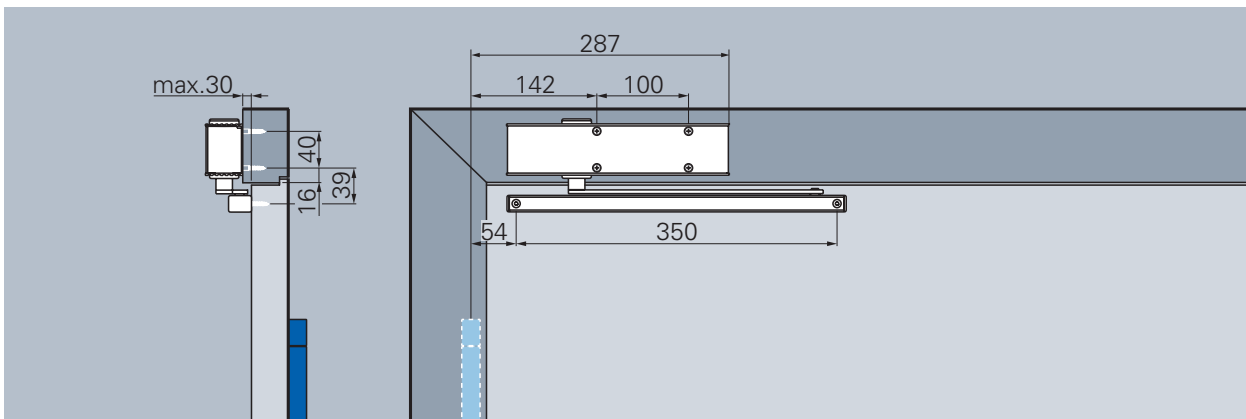


Hinge-opposite side

Mounting with slide rail K, illustration DIN right door, DIN right laterally reversed



Standard mounting with slide rail K, hinge-opposite side (direct mounting, without mounting plate)



Head mounting with slide rail K, hinge-opposite side (direct mounting, without mounting plate)

Closing speed

Continuously adjustable closing speed from approx. 140°* to 0°

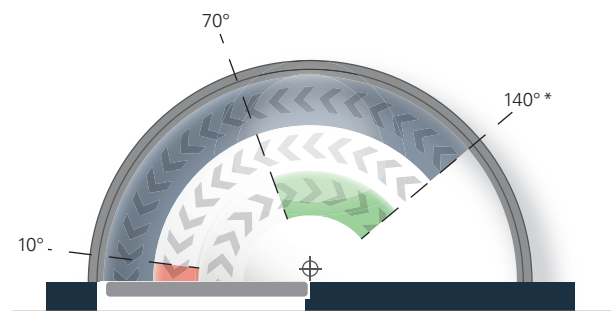
Latching speed

Increases the closing speed and thus the safe closing of the door, for example to overcome door seals, door locks and high air pressure. Continuously adjustable, works between 10 to 40°

Back-check

Reduces the opening speed starting at 70° and avoids the slamming of the door. Back-check fixed

Closing force diagram ECO Newton TS-41, hinge-opposite side



*Varies according to door thickness and type of hinge

A door stopper for opening limit is a must!



Danish Seller:

Swissdoor ApS

Stenhuggervej 2
DK-5471 Soendersoe
Tlf.: +45 86 28 00 00
mail@swissdoor.dk
www.swissdoor.dk