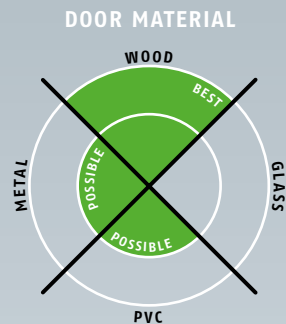


Planet US → 8 x 30 mm | ↓ 20 mm | ≤ 48 dB



Main features

- Especially for **narrow** doors
- Seal height up to **↓ 20 mm**
- Acoustic insulation up to **≤ 48 dB** in case of an optimal sealing
- Protected silicone lips since deeper embedded
- Door can be adapted on bottom without removal
- Unilateral and soundless release, silent seal
- Due to parallel drop-down no trailing on the floor
- Automatic compensation at inclined floors
- For single and Double leaf doors (seal next to flush bolt / driving bar rod)
- High-grade silicone lip, simple lift height adjustment
- Can be shortened up to the next shorter length on stock
- No extra need to cut off silicone at both ends
- 7 years warranty



Versions / options

- Planet **US** → **RD** ≤ 48 dB, smoke-shielding
- Planet **US** → **FH+RD** ≤ 48 dB, fire-retardant + smoke-shielding
- Option **sliding door** ≤ 48 dB
- Option **bevel lip** ≤ 48 dB, up to **↓ 24 mm**, for uneven floors
- Special versions on request

Door types with Planet US

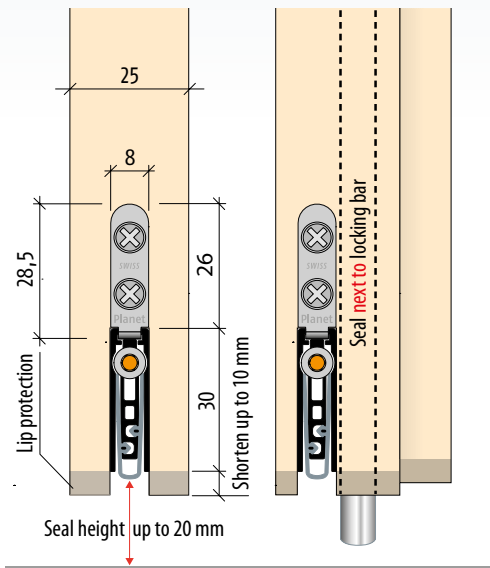


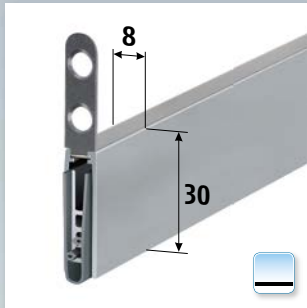
More functions



Technical specifications

Profile material	aluminum, → 8 x 30 mm
Groove size	width 8,1 mm with depth 30,5 up to 40 mm
Seal profile	high-grade silicone or high-grade self-extinguishing silicone
Seal height	up to ↓ 20 mm
Sound absorption value	up to ≤ 48 dB at 7 mm space to the floor
Lift height adjustment	on the release knob with an Allen key 3 mm
Lengths in stock	460, 585, 710, 835, 960, 1085, 1210, 1335, 1460, 1585 mm
Special lengths	on request up to 6000 mm for wing- and sliding doors
Release	unilaterally on hinge side
Can be shortened	up to the maximum of 125 mm
Fastening	on the side with stainless steel angle brackets and screws
Frame protector plate	stainless, hammer fixed, 20 x 20 mm
Test approvals	on request





Profile Planet US with fastening brackets for wood



Planet US with fastening brackets for wood, release side



Option: Planet US with fastening brackets for wood, bevel lip



Planet assembly set TW/US for wooden doors (standard)



Option: profile Planet US with fastening brackets for metal



Option: Planet US with fastening brackets for metal, release side



Option: Planet US with fastening brackets for metal, bevel lip for uneven floors



Option: Planet assembly set TW/US for metal doors

Order specifications

Planet US → RD ≤ 48 dB incl. Planet assembly set TW/US	Prod. code 23xxx*
Planet US → FH+RD ≤ 48 dB incl. Planet assembly set TW/US	Prod. code 24xxx*

* xxx = refer to price list for profile length

Accessories | Options

Sliding door	Prod. code 900908
Planet assembly set TW/US for wood incl. 2 fastening brackets (stainless), 4 screws and frame protector plate, type 1 (stainless)	Prod. code 900669
Planet assembly set TW/US for metal incl. 2 fastening brackets (stainless), 4 screws and frame protector plate, type 1 (stainless)	Prod. code 900671
Planet frame protector plate type 1 (stainless); possible type 2/3/4/5 → refer to chapter Accessories Options	Prod. code 900014
Cut the Planet to fix dimension	Prod. code 900200
Bevel lip (≤ 48 dB, up to ↓ 24 mm) DIN L or DIN R	refer to price list, options / supplements

Advertising text



Planet US → RD (smoke-shielding) ≤ 48 dB
Automatic door drop-down seal **Planet US → RD ≤ 48 dB**, for sound absorption and smoke-shielding doors, release on hinge side with automatic compensation in case of an inclined floor, parallel drop-down, seal height up to ↓ 20 mm, flush or deeper to put in groove with lip protection. Lateral fastening, lip from silicone. Aluminum profile → 8 x 30 mm.

Advertising text



Planet US → FH+RD (fire-retardant + smoke-shielding) ≤ 48 dB
Automatic door drop-down seal **Planet US → FH+RD ≤ 48 dB**, for sound protection-, smoke-shielding and fire-retardant doors, release on hinge side with automatic compensation in case of an inclined floor, parallel drop-down, seal height up to ↓ 20 mm, flush or deeper to put in groove with lip protection. Lateral fastening, self-extinguishing silicone lip. Aluminum profile → 8 x 30 mm.