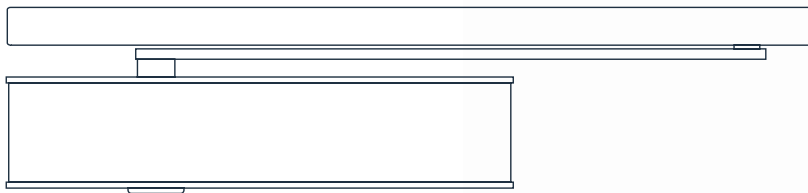




ECO

Door closer technology

**SWISSDOOR**  
DØRTEKNIK FOR PROFESSIONELLE



Door closer technology

**Aesthetic**

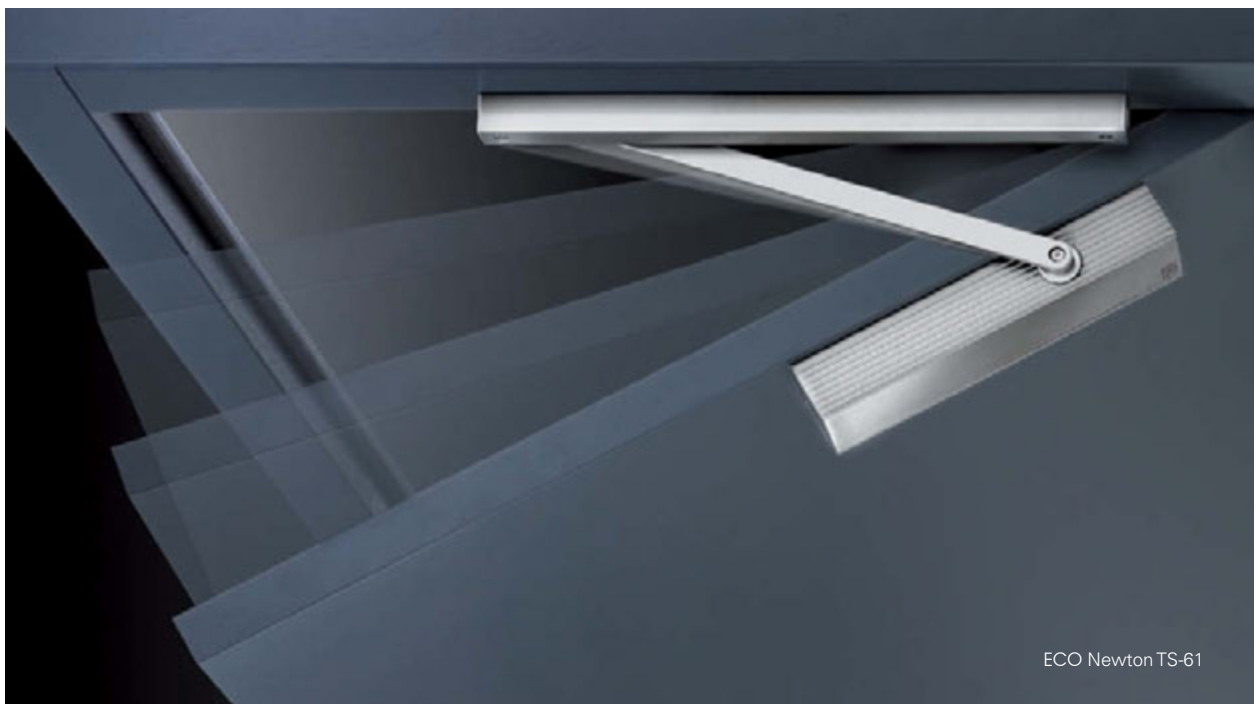
**Powerhouses**





## Turning safety into a product

Door closers have to cope with routine daily business and emergency situations: they soften the door strike and close the door securely. In emergency situations, they guarantee that fire compartments are separated reliably so that lives can be saved. In routine situations, the asymmetric transmission makes it easier to open the door.



ECO Newton TS-61

Door closers from ECO Schulte work purely mechanically with hydraulically damped, stepped gear spring force. The mechanical principle ensures correct functioning under all conditions – even when there is a power cut. The special gearing geometry guarantees easy opening while at the same time producing sufficient standard-compliant closing power to overcome the lock resistance.

Door closers have a safety function, which makes them a part of the architecture. The ECO Schulte door closer portfolio reflects the complete spectrum of practical demands of modern architecture – no matter whether these are defined for aesthetic or functional reasons. They extend from the functional standard of the standard arm door closer through minimized, aesthetic slide rail closers and hold-open systems to "virtually invisible" closing solutions integrated into the floor or door leaf.

## The Aesthete: ECO Newton

The new door closer generation from ECO Schulte: a meticulously well-conceived design consisting of a stainless steel cover and aluminium body. Concealed mounting plates, adjusting elements protected against vandalism, colour-matched materials and the variable combination of all slide rail door closers with closing sequence regulator systems are the distinguishing features of this new generation of door closer models. In addition to this, the new "ECOvalve" technology guarantees the simple and high-precision adjustment of all parameters of the closing process.



### ECO Newton overview

#### Door closer with slide rail

Description	Tests <sup>1</sup>	Size acc. to EN <sup>2</sup>	Latching speed adjustment <sup>3</sup>	Back-check <sup>4</sup>	Closing force adjustment	Delayed action <sup>5</sup>	DIN L + R / BS + BG <sup>6</sup>
TS-61 EN	F / CE	5–6 continuously	from the front	adjustable	from the front	optional	yes / yes <sup>7</sup>
TS-61 EN	F / CE	2–5 continuously	from the front	adjustable	from the front	optional	yes / yes <sup>7</sup>
TS-51 EN	F / CE	1–4 continuously	from the front	adjustable	from the front	–	yes / yes <sup>7</sup>
TS-41 EN	F / CE	1–4 continuously	from the side	fixed	from the side	–	yes / yes
TS-31 EN	F / CE	1–3 continuously	from the side	fixed	from the side	–	yes / yes

#### Door closer with standard arm

Description	Tests <sup>1</sup>	Size acc. to EN <sup>2</sup>	Latching speed adjustment <sup>3</sup>	Back-check <sup>4</sup>	Closing force adjustment	Delayed action <sup>5</sup>	DIN L + R / BS + BG <sup>6</sup>
TS-50 EN	F / CE	1–5 continuously	from the side	fixed	from the side	–	yes / yes
TS-20 EN	F / CE	2 / 3 / 5	from the side	fixed	from the side	–	yes / yes
TS-16 EN	–	1–6	from the side	–	from the side	–	yes / yes
TS-15 EN	–	2 / 3 / 4 / 5	from the side	–	from the side	–	yes / yes
TS-14 EN	–	1 / 2 / 3 / 4	from the side	–	from the side	–	yes / yes

**Legend:** **1)** EN 1154 - CE-sign and fire-protection tested **2)** Door closer sizes acc. to European Norm (EN) **3)** Increases the closing force to ensure that the door closes reliably **4)** Regulates the force which is necessary to open the door **5)** Comfortable delayed action, for example for hotel rooms **6)** Available for DIN left and DIN right (L+R) as well as for hinge side (BS) or hinge-opposite side (BG) **7)** Please order execution G (=hinge-opposite side)

## The highlights of the ECO Newton range

### Two units for the entire building

The ECO Newton closer portfolio covers all door dimensions with only two basic closer units. In addition to this, end-mounted valve technology permits the mounting of the same closer on the hinge and hinge-opposite side (TS 41, 31, 50 and 20).



ECO **UNITY**

### Combination of elegant materials

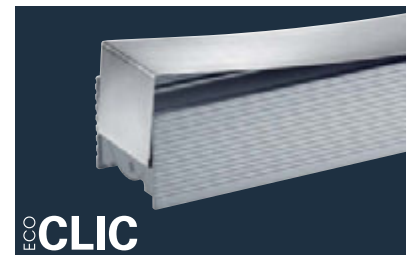
Elegant materials are standard with ECO Newton: the stainless steel cover and aluminium body unit of the new door closer generation are perfectly matched with one another - in an architecturally compatible form language.



ECO **PHYSIS**

### Intelligent stainless steel cover

ECOclíc envelops the aluminium body unit with the power of spring steel. The cover conceals all of the adjusting elements and cannot be removed without tools, thus securing the closer against unauthorized access.



ECO **CLIC**

### Well-conceived assembly system

The special feature of the ECO Newton assembly system is that the mounting plate is completely concealed by the aluminium body of the closer, thus making it invisible. The mounting plate has standardized drill holes which guarantee time-saving, secure and simple attachment.



ECO **MOUNT**

### New valve technology

The new ECOvalve technology offers a wide and precisely adjustable setting range. This means the simple, high-precision and permanently secure adjustment of all parameters of the closing process with one conventional Allen key. As with all ECO Newton door closers, the closing speed and latching are regulated via the ECOvalve as a standard feature.



ECO **VALVE**

**Stainless steel full cover**

The full cover is an optional stainless steel covering for the ECO Newton door closers and related slide rails. The overall appearance is perfected by a lever arm with a stainless steel look. A cover on the closer body is available for standard arm closers.



**Saves resources**

ECO Newton door closers are up to 1,000 grammes lighter than comparable solutions. Their intelligent construction and carefully planned use of materials help considerably to save resources - without compromising functionality, safety, security or quality.



**Uniform finishing edge and colour design**

The mounted slide rail and door closer are flush when the door is closed. The colours of all materials are perfectly matched - right down to the end caps of the slide rail. In this way, ECO Newton door closers can be integrated harmoniously into every design context.



**Combination talent**

The ECO Newton Vario concept permits the use of all slide rail door closers and can even be combined with different door leaf widths. In this way, optimum value for money can be achieved for each individual door situation.



**Standardized quality**

As with all ECO Schulte products, the door closers are manufactured in a quality management process certified in accordance with **ISO 9001**. This guarantees that top quality is produced and installed. Many door closer versions are suitable for use with fire and smoke protection doors - and tested in line with **EN 1154 A**. All products tested in accordance with valid European directives have the CE mark applied to them.



## The integration specialist: ECO Multi-Genius

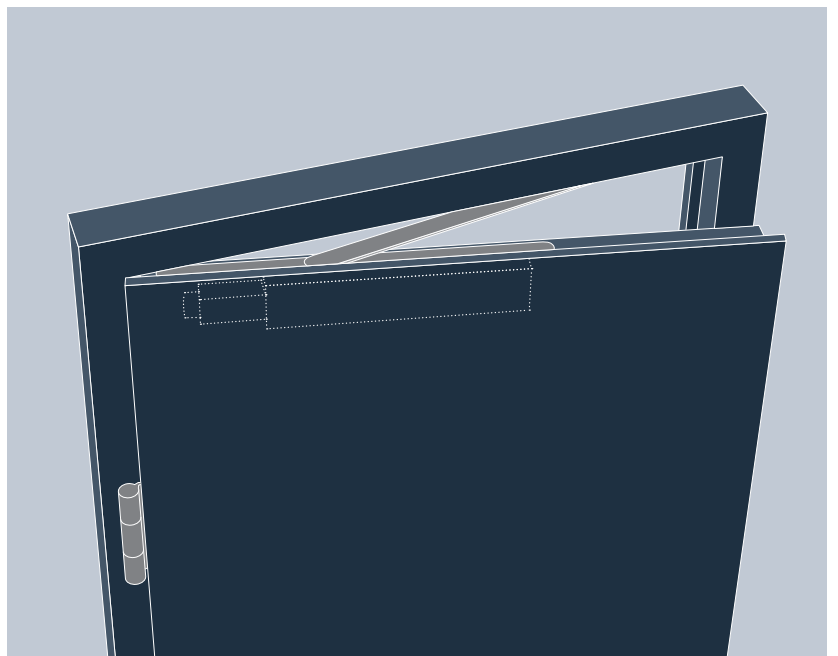
This door closer makes itself invisible. The ECO Multi-Genius is extremely compact, and this makes it suitable for installation in doors with a leaf thickness of only 40 mm. This in turn means that the closer can be integrated virtually invisibly before the door even leaves the factory. Thanks to its distinctly decreasing opening torque, the Multi-Genius is the ideal easy-use door closer with a high level of user convenience - plus a unique opening angle of 175°. Where doors are already fitted, the Multi-Genius also comes as an surface mounting model with a seamless stainless steel covering.

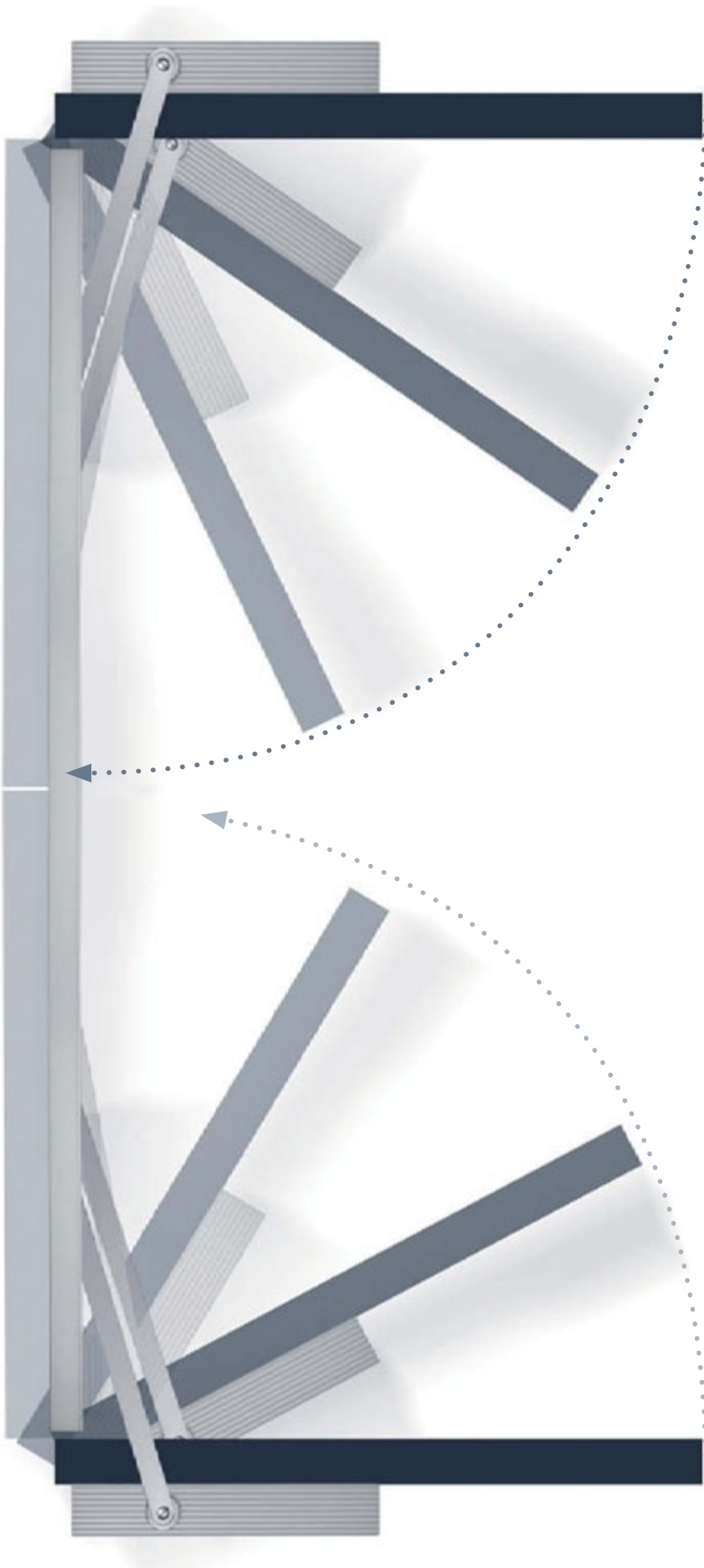


ECO Multi-Genius  
Installation version

### The aesthetics of integration

The ECO Multi-Genius is one of the most compact door closers on the market - compact enough for installation in wooden, sheet steel and profile frame doors made of aluminium/steel  $\geq 40$  mm. The principle works with an eccentrically controlled pull mechanism and microhydraulic damping unit which guarantee optimum user convenience. A visible closing power display (**in line with EN 1154 A**) enables you to set the desired closing force before installation. The closing speed and hydraulic latching have an infinitely variable adjustment even after installation.





## Precise timing

Door retainer systems are highly complex systems which were developed to separate fire and smoke compartments purely mechanically and independently. In the event of fire, a closing process is triggered, the pre-defined precision of which is reminiscent of fine choreography. A precisely defined closing sequence is prescribed for double leaf doors: the fixed leaf has to close first, then the active leaf. A play of forces that was developed to save human lives.

ECO Schulte offers all system components required for the build-up of complex door retainer systems - along with special consultancy on their proper use.

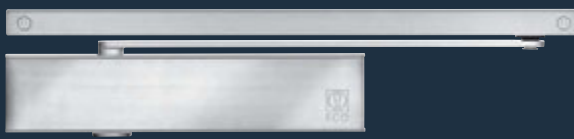




# ECO Newton



ECO Newton TS-61 (EN 5 – 6; EN 2 – 5)  
Page 33



ECO Newton TS-51 (EN 1 – 4)  
Page 44



ECO Newton TS-41 (EN 1 – 4)  
Page 50



ECO Newton TS-31 (EN 1 – 3)  
Page 58



ECO Newton TS-50 (EN 1 – 5)  
Page 78



ECO Newton TS-20 (EN 2/3/5)  
Page 84

**NEW!**



ECO Newton TS-16  
(EN 1 – 3, 4 – 6)  
Page 90

**NEW!**



ECO Newton TS-15  
(EN 2/3/4/5)  
ECO Newton TS-15 K  
(EN 1/2)  
Page 96

**NEW!**



ECO Newton TS-14  
(EN 1/2/3/4)  
Page 104

## TABLE OF CONTENTS

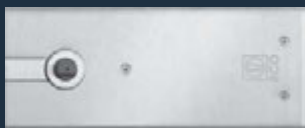
---

### Door closer



Multi-Genius (EN 1 – 4; EN 2 – 5)  
 Concealed / surface-mounted door closer  
 Page 110

**NEW!**



BTS (EN 3, EN 4)  
 Floor spring  
 Page 146



FTS 63 / FTS 63 R (EN 2 – 5; EN 2 – 6)  
 Free-swinging door closer  
 Page 142

**NEW!**



FDC - Swing-door drive unit (EN 3 – 6)  
 Page 150

## Slide rails

### Slide rails for single-leaf doors

Slide rail B	Page 67
Slide rail K	Page 67
Slide rail B-FKL	Page 67
Slide rail EF	Page 68
Slide rail EFR	Page 68

### Slide rails for double-leaf doors

Slide rail SR	Page 69
Slide rail SR-BG	Page 70
Slide rail SR-EF-1G	Page 71
Slide rail SR-EF-1S	Page 72
Slide rail SR-EF-2	Page 73

### Slide rails for double-leaf doors with integrated smoke detector

Slide rail SR-EFR-1G	Page 74
Slide rail SR-EFR-1S	Page 75
Slide rail SR-EFR-2	Page 76

### Concealed slide rails for single-leaf doors

Slide rail ITS	Page 137
Slide rail ITS-MFA	Page 137
Slide rail ITS-EF	Page 138

### Concealed slide rails for double-leaf doors

Slide rail ITS-SR	Page 139
Slide rail ITS-SR-EF	Page 139

## Accessories

### Accessories

Arms	Page 163
Hold-open arm	Page 164
Under-lintel angle	Page 165
Glass clamping device	Page 166
Adaptor profile	Page 167
Accessory set MOL	Page 169
Pivot hinge	Page 169

### Accessories for combination with ECO hold-open devices (Except ITS / FTS)

Interrupt button	
top-mounted / concealed	Page 170
Smoke switch	Page 170
Power supply	Page 170
Electromagnetic door retainer	Page 171
Anchor plate	Page 172

### Accessories for combination with ECO hold-open devices (ITS / FTS)

Power supply	Page 173
Smoke switch	Page 173
Smoke inducting system	Page 173
Smoke switch	Page 174
Mounting base	Page 174
Magnetic clamp	Page 175
Anchor plate	Page 176
Test gas	Page 177

### Accessories for combination with ECO swing-door drive unit (FDC)

Mounting plate	Page 178
Door stop	Page 178
Brake for holding magnet	Page 178
Axis extension	Page 178
Operation panel	Page 179
Key sense switch	Page 179
Interrupt button	Page 179
Flip switch	Page 179
Elbow switch	Page 180
Radar	Page 180
Sensor strip	Page 181
Finger protection shade	Page 181
Floor stop	Page 181
Dual locking device	Page 182

# ECO Newton<sup>TS-61</sup>

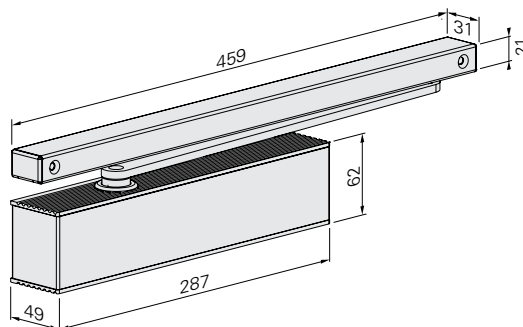
**SWISSDOOR**  
DØRTEKNIK FOR PROFESSIONELLE



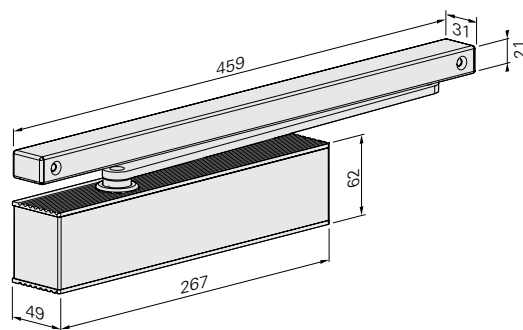
**Product characteristics**

Closing force (continuously adjustable)	Size acc. to EN	2 – 5	5 – 6
Door width	≤ 1.250 mm	■	■
acc. to EN	≤ 1.400 mm	-	■
Dimensions (incl. mounting plate)	Length in mm	287	267
	Depth in mm	49	49
	Height in mm	62	62
Mounting plate acc. to EN 1154 A (supplementary sheet 1)		■	■
Hinge-side and hinge-opposite side		□	□
DIN left / right		■	■
Latching speed (continuously adjustable)		■	■
Closing speed (continuously adjustable)		■	■
Back-check (continuously adjustable)		■	■
Delayed action (continuously adjustable)		□	□
Tested acc. to EN		<b>EN 1154 A</b>	
Suitable for fire- and smoke control doors		<b>F</b>	
Certified according to EU-Directive		<b>CE</b>	

- Yes
- No
- Option

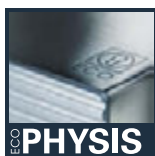


Dimensions: TS-61 (2 – 5)



Dimensions: TS-61 (5 – 6)

**ECO Newton TS-61 ■ Highlights at a glance**



Details regarding the ECO Newton Highlights can be found in the intro of this chapter.



Body: Silver RAL 9006  
ECOclíc: Stainless steel polished or satin



Body + ECOclíc: White RAL 9016

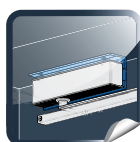


Body + ECOclíc: Black RAL 9005



Body + ECOclíc: Brown RAL 8014

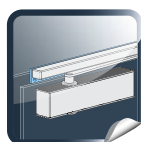
Slide rail and arm are always delivered in the same colour as the ordered door closer body.



Under-lintel angle for door closer  
Page 165



Under-lintel angle for slide rail  
Page 165



Adaptor profile  
Page 167

# Order information

## ECO Newton TS-61 ▪ Door closer with slide rail

### Product information

Closing force 2- 5 (5-6), tested acc. to **EN 1154 A** (for door width up to 1.250 mm (1.400 mm) continuously adjustable. Latching speed, closing speed and back-check continuously adjustable. **Delayed action as option.** Same version DIN left and DIN right. Mounting height with mounting plate only 49 mm. Door opening angle: 180°

- ECOunity: Standard mounting and head mounting on hinge side and hinge-opposite side
- ECOphysis: Door closer and slide rail build a unit in aluminium and stainless steel
- ECOclic: The stainless steel cover encloses the aluminium body with the power of spring steel and conceals all of the adjusting elements, thus securing the closer against unauthorized access.
- ECOmount: Mounting plate according to **EN 1154** is completely covered by the door closer
- ECOvalve: Simple, high-precision and permanently secure adjustment of all parameters of the closing process with one conventional Allen key.
- ECOgreen: The intelligent construction and carefully planned use of materials help considerably to save resources
- ECOcover<sup>2</sup>: Optional stainless steel cover for the ECO Newton door closers and related slide rails. Please order the lever arm in stainless steel look for the perfect overall appearance.
- ECOline: The mounted slide rail and door closer are flush when the door is closed. The colours of all materials are perfectly matched - right down to the end caps of the slide rail.
- ECOvario: Permits the use of all slide rail door closers and can even be combined with different door leaf widths. In this way, optimum value for money can be achieved for each individual door situation.

Delivery with slide rail B and mounting plate as standard.





## ECO Newton Highlights in detail.

### Two units for the entire building

The ECO Newton closer portfolio covers all door dimensions with only two basic closer units. In addition to this, end-mounted valve technology permits the mounting of the same closer on the hinge- and hinge-opposite side (TS-31/41).



# Hinge side

## Without delayed action

### TS-61 B (5-6)



Hinge side slide rail B			Hinge side without slide rail		
Article number	Colour	Article number	Colour	Article number	Colour
306153CB1A01010	Silver RAL 9006*	306153CB1A01010	Silver RAL 9006*	356153CB1A00010	Silver RAL 9006*
306153CB3E01010	White RAL 9016	306153CB3E01010	White RAL 9016	356153CB3E00010	White RAL 9016
306153CB3D01010	Brown RAL 8014	306153CB3D01010	Brown RAL 8014	356153CB3D00010	Brown RAL 8014
306153CB3G01010	Black RAL 9005	306153CB3G01010	Black RAL 9005	356153CB3G00010	Black RAL 9005

### TS-61 B (2-5)



Hinge side slide rail B			Hinge side without slide rail		
Article number	Colour	Article number	Colour	Article number	Colour
306153AB1A01010	Silver RAL 9006*	306153AB1A01010	Silver RAL 9006*	356153AB1A00010	Silver RAL 9006*
306153AB3E01010	White RAL 9016	306153AB3E01010	White RAL 9016	356153AB3E00010	White RAL 9016
306153AB3D01010	Brown RAL 8014	306153AB3D01010	Brown RAL 8014	356153AB3D00010	Brown RAL 8014
306153AB3G01010	Black RAL 9005	306153AB3G01010	Black RAL 9005	356153AB3G00010	Black RAL 9005

## With delayed action

### TS-61 B-SV (5-6)



Hinge side slide rail B			Hinge side without slide rail		
Article number	Colour	Article number	Colour	Article number	Colour
306154CB1A01010	Silver RAL 9006*	306154CB1A01010	Silver RAL 9006*	356154CB1A00010	Silver RAL 9006*
306154CB3E01010	White RAL 9016	306154CB3E01010	White RAL 9016	356154CB3E00010	White RAL 9016
306154CB3D01010	Brown RAL 8014	306154CB3D01010	Brown RAL 8014	356154CB3D00010	Brown RAL 8014
306154CB3G01010	Black RAL 9005	306154CB3G01010	Black RAL 9005	356154CB3G00010	Black RAL 9005

### TS-61 B-SV (2-5)



Hinge side slide rail B			Hinge side without slide rail		
Article number	Colour	Article number	Colour	Article number	Colour
306154AB1A01010	Silver RAL 9006*	306154AB1A01010	Silver RAL 9006*	356154AB1A00010	Silver RAL 9006*
306154AB3E01010	White RAL 9016	306154AB3E01010	White RAL 9016	356154AB3E00010	White RAL 9016
306154AB3D01010	Brown RAL 8014	306154AB3D01010	Brown RAL 8014	356154AB3D00010	Brown RAL 8014
306154AB3G01010	Black RAL 9005	306154AB3G01010	Black RAL 9005	356154AB3G00010	Black RAL 9005

# Hinge-opposite side

## Without delayed action

### TS-61 G (5-6)



Hinge-opposite side slide rail B	Colour	Article number	Hinge-opposite side without slide rail	Colour	Article number
TS-61 G (5-6)	Silver RAL 9006*	306163CB1A01010	TS-61 G (5-6)	Silver RAL 9006*	356163CB1A00010
TS-61 G (5-6)	White RAL 9016	306163CB3E01010	TS-61 G (5-6)	White RAL 9016	356163CB3E00010
TS-61 G (5-6)	Brown RAL 8014	306163CB3D01010	TS-61 G (5-6)	Brown RAL 8014	356163CB3D00010
TS-61 G (5-6)	Black RAL 9005	306163CB3G01010	TS-61 G (5-6)	Black RAL 9005	356163CB3G00010

### TS-61 G (2-5)



Hinge-opposite side slide rail B	Colour	Article number	Hinge-opposite side without slide rail	Colour	Article number
TS-61 G (2-5)	Silver RAL 9006*	306163AB1A01010	TS-61 G (2-5)	Silver RAL 9006*	356163AB1A00010
TS-61 G (2-5)	White RAL 9016	306163AB3E01010	TS-61 G (2-5)	White RAL 9016	356163AB3E00010
TS-61 G (2-5)	Brown RAL 8014	306163AB3D01010	TS-61 G (2-5)	Brown RAL 8014	356163AB3D00010
TS-61 G (2-5)	Black RAL 9005	306163AB3G01010	TS-61 G (2-5)	Black RAL 9005	356163AB3G00010

## With delayed action

### TS-61 G-SV (5-6)



Hinge-opposite side slide rail B	Colour	Article number	Hinge-opposite side without slide rail	Colour	Article number
TS-61 G-SV (5-6)	Silver RAL 9006*	306164CB1A01010	TS-61 G-SV (5-6)	Silver RAL 9006*	356164CB1A00010
TS-61 G-SV (5-6)	White RAL 9016	306164CB3E01010	TS-61 G-SV (5-6)	White RAL 9016	356164CB3E00010
TS-61 G-SV (5-6)	Brown RAL 8014	306164CB3D01010	TS-61 G-SV (5-6)	Brown RAL 8014	356164CB3D00010
TS-61 G-SV (5-6)	Black RAL 9005	306164CB3G01010	TS-61 G-SV (5-6)	Black RAL 9005	356164CB3G00010

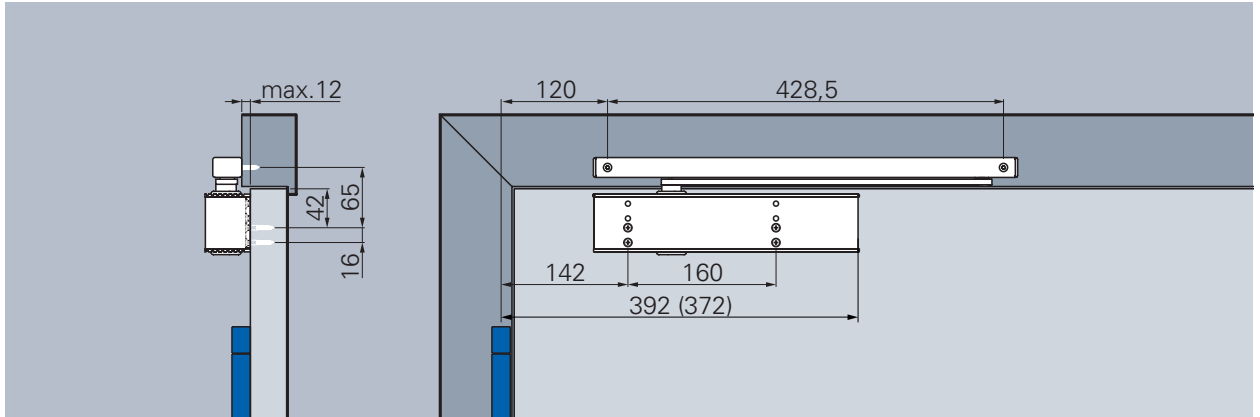
### TS-61 G-SV (2-5)



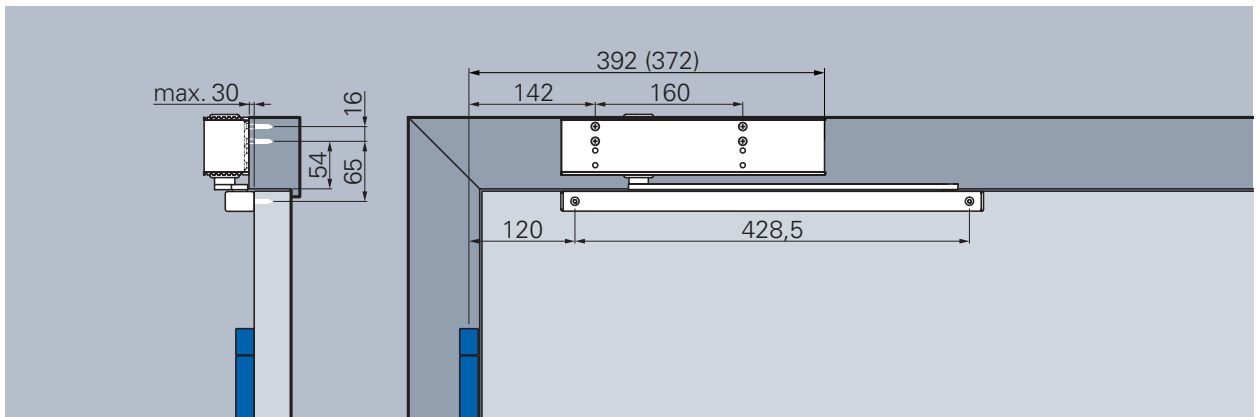
Hinge-opposite side slide rail B	Colour	Article number	Hinge-opposite side without slide rail	Colour	Article number
TS-61 G-SV (2-5)	Silver RAL 9006*	306164AB1A01010	TS-61 G-SV (2-5)	Silver RAL 9006*	356164AB1A00010
TS-61 G-SV (2-5)	White RAL 9016	306164AB3E01010	TS-61 G-SV (2-5)	White RAL 9016	356164AB3E00010
TS-61 G-SV (2-5)	Brown RAL 8014	306164AB3D01010	TS-61 G-SV (2-5)	Brown RAL 8014	356164AB3D00010
TS-61 G-SV (2-5)	Black RAL 9005	306164AB3G01010	TS-61 G-SV (2-5)	Black RAL 9005	356164AB3G00010

# Hinge side

Mounting with slide rail B, illustration DIN left-door, DIN right laterally reversed



Standard mounting with slide rail B, hinge side



Head mounting with slide rail B, hinge side

## Closing speed

Continuously adjustable closing speed from approx. 180° to 0°.

## Latching speed

Increases the closing speed and thus the safe closing of the door, for example to overcome door seals, door locks and high air pressure. Continuously adjustable, works between 7 to 0°.

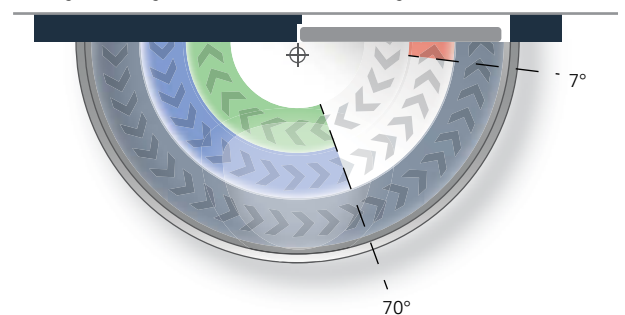
## Back-check

Reduces the opening speed starting at 70° and avoids the slamming of the door. Back-check continuously adjustable

## Delayed action (as option)

Reduces the closing speed and allows a safer passing for people and transports. Especially suitable for the use in nursing homes and hospitals. Delay action continuously adjustable. Works between 180° to 70°.

Closing force diagram ECO Newton TS-61, hinge side



### Closing force:

**Continuously adjustable** min. size 5  
TS-61 (5-6) max. size 6

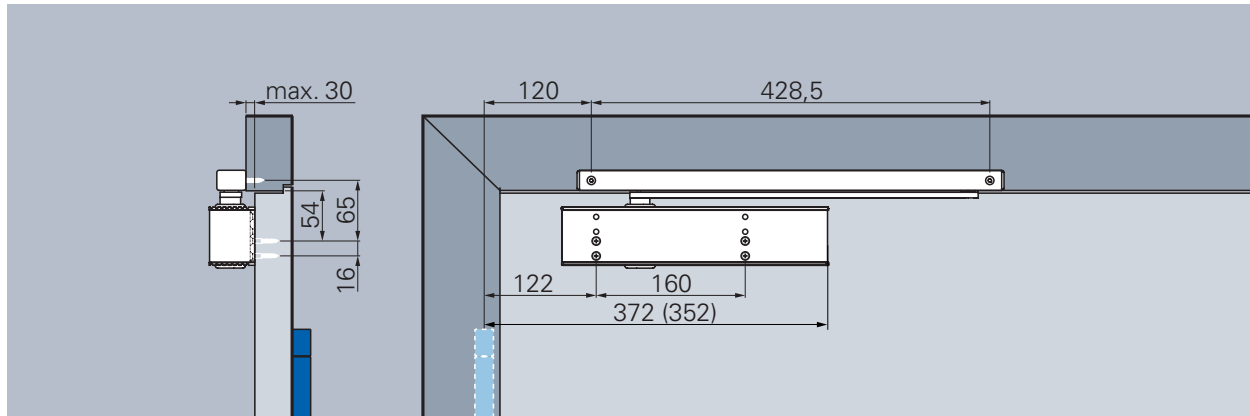
or

**Continuously adjustable** min. size 2  
TS-61 (2-5) max. size 5

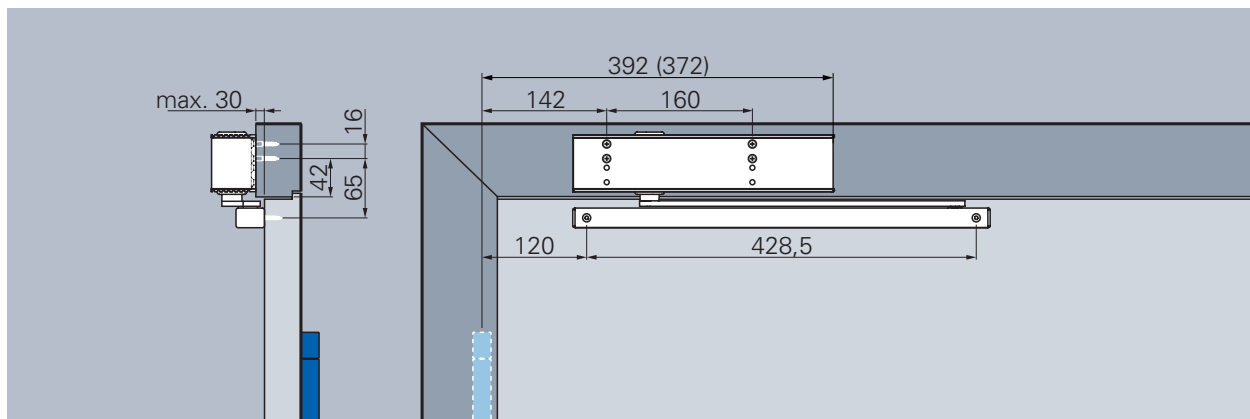
**Default delivery condition:** size 3

# Hinge-opposite side

Mounting with slide rail B, illustration DIN right-door, DIN right laterally reversed



Standard mounting with slide rail B, hinge-opposite side



Head mounting with slide rail B, hinge-opposite side

**Closing speed**

Continuously adjustable closing speed from approx. 140° to 0°.

**Latching speed**

Increases the closing speed and thus the safe closing of the door, for example to overcome door seals, door locks and high air pressure. Continuously adjustable, works between 7 to 0°

**Back-check**

Reduces the opening speed starting at 70° and avoids the slamming of the door. Back-check continuously adjustable

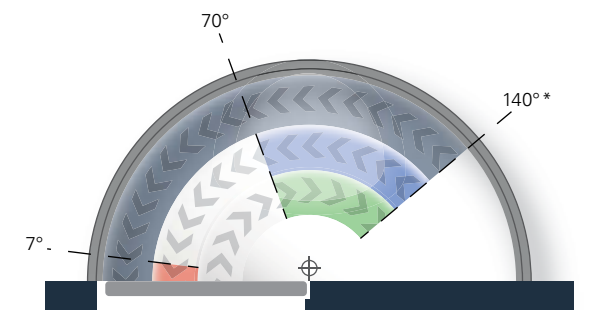
**Note!:**

**Back-check out of order for head-mounting / mounting on hinge-opposite side**

**Delayed action (as option)**

Reduces the closing speed and allows a safer passing for people and transports. Especially suitable for the use in nursing homes and hospitals. Delay action continuously adjustable. Works between 140° to 70°.

Closing force diagram ECO Newton TS-61, hinge-opposite side



\*Varies according to door thickness and type of hinge

**A door stopper for opening limit is a must!**

# ECO Newton<sup>TS-51</sup>

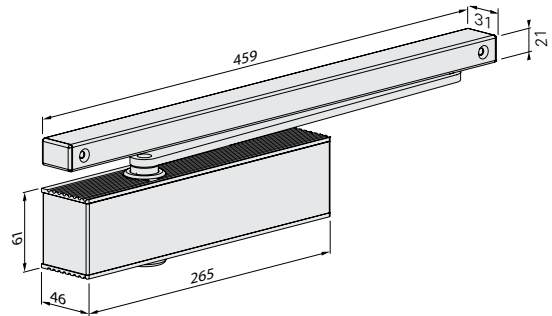
**SWISSDOOR**  
DØRTEKNIK FOR PROFESSIONELLE



**Product characteristics**

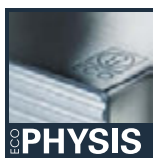
Closing force (continuously adjustable)	Size acc. to EN	1 - 4
Door width	acc. to EN ≤ 1.100 mm	■
Dimensions (incl. mounting plate)	Length in mm Depth in mm Height in mm	265 46 61
Mounting plate acc. to EN 1154 A (supplementary sheet 1)		■
Hinge-side and hinge-opposite side		□
DIN left / right		■
Latching speed (continuously adjustable)		■
Closing speed (continuously adjustable)		■
Back-check (continuously adjustable)		■
Tested acc. to EN	<b>EN 1154 A</b>	
Suitable for fire- and smoke control doors	<b>F</b>	
Certified according to EU-Directive	<b>CE</b>	

- Yes
- No
- Option



Dimensions: TS-51

**ECO Newton TS-51 ■ Order information**



\*optional

Details regarding the ECO Newton Highlights can be found in the intro of this chapter.



Body: Silver RAL 9006  
ECOcllic: Stainless steel  
polished or satin



Body + ECOcllic:  
White RAL 9016

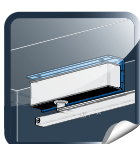


Body + ECOcllic:  
Black RAL 9005

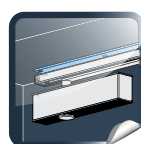


Body + ECOcllic:  
Brown RAL 8014

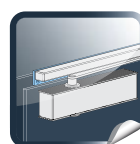
Slide rail and arm are always delivered in the same colour as the ordered door closer body.



Under-lintel angle  
for door closer  
Page 165



Under-lintel angle  
for slide rail  
Page 165



Adaptor profile  
Page 167

# Order information

## ECO Newton TS-51 ▪ Door closer with slide rail

### Product information

Closing force 1-4, tested acc. to **EN 1154 A** (for door widths up to 1.100 mm) continuously adjustable. Latching speed, closing speed and back-check continuously adjustable. Same version DIN left and DIN right. Mounting height with mounting plate only 46 mm. Door opening angle: 180°

- **ECOunity:** Standard mounting and head mounting on hinge side and hinge-opposite side
- **ECOphysis:** Door closer and slide rail build a unit in aluminium and stainless steel
- **ECOcllic:** The stainless steel cover encloses the aluminium body with the power of spring steel and conceals all of the adjusting elements, thus securing the closer against unauthorized access.
- **ECOMount:** Mounting plate according to **EN 1154** is completely covered by the door closer
- **ECOvalve:** Simple, high-precision and permanently secure adjustment of all parameters of the closing process with one conventional Allen key.
- **ECOcover<sup>2</sup>:** Optional stainless steel cover for the ECO Newton door closers and related slide rails. Please order the lever arm in stainless steel look for the perfect overall appearance.
- **ECOLine:** The mounted slide rail and door closer are flush when the door is closed. The colours of all materials are perfectly matched - right down to the end caps of the slide rail.
- **ECOvario:** permits the use of all slide rail door closers and can even be combined with different door leaf widths. In this way, optimum value for money can be achieved for each individual door situation.

Delivery with slide rail B and mounting plate as standard.

### Article numbers



Hinge side slide rail B	Colour	Article number	Hinge side without slide rail	Colour	Article number
TS-51 B (1-4)	Silver RAL 9006*	305153EA1A01010	TS-51 B (1-4)	Silver RAL 9006*	355153EA1A00010
TS-51 B (1-4)	White RAL 9016	305153EA3E01010	TS-51 B (1-4)	White RAL 9016	355153EA3E00010
TS-51 B (1-4)	Brown RAL 8014	305153EA3D01010	TS-51 B (1-4)	Brown RAL 8014	355153EA3D00010
TS-51 B (1-4)	Black RAL 9005	305153EA3G01010	TS-51 B (1-4)	Black RAL 9005	355153EA3G00010

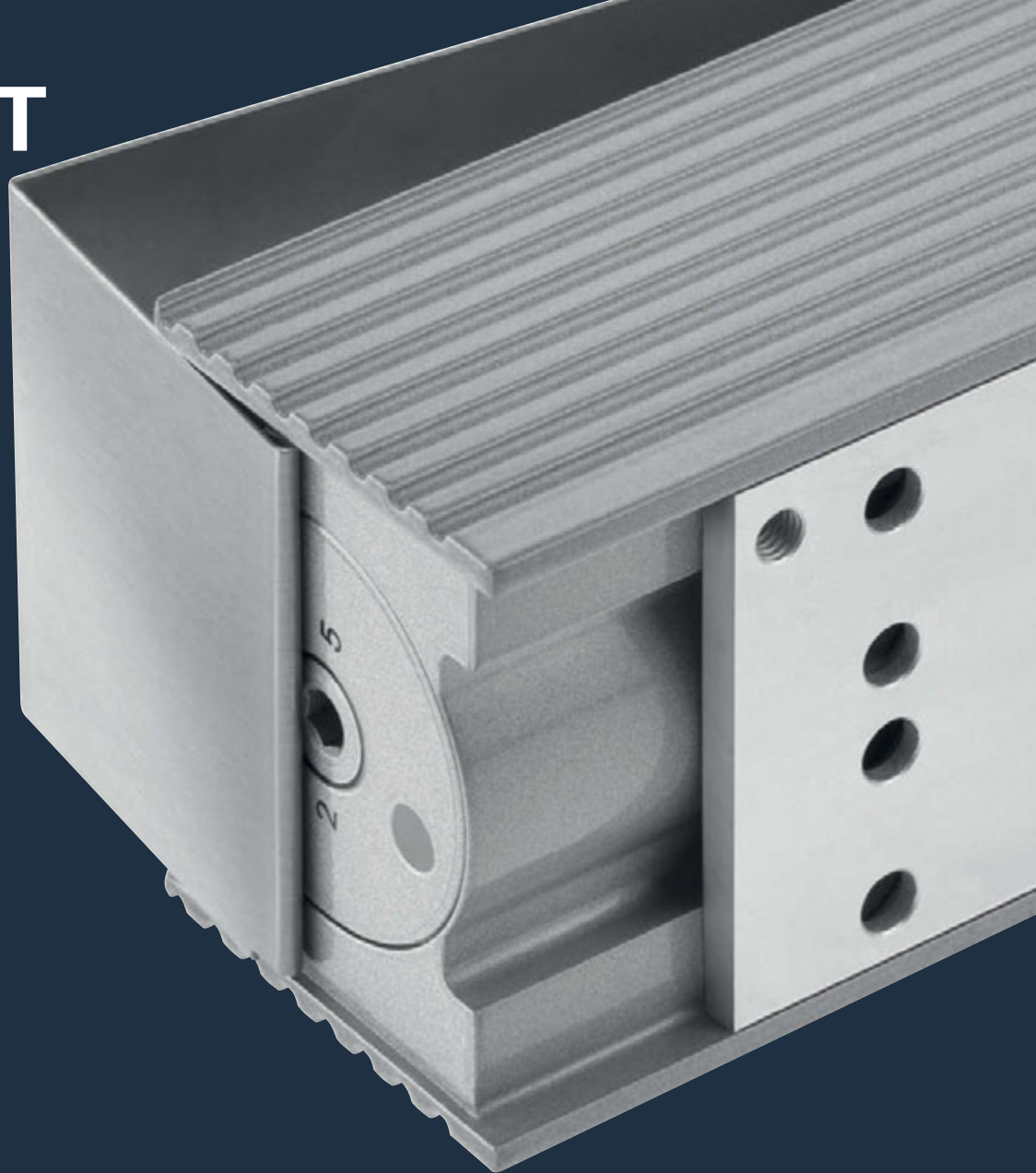
  

Hinge-opposite side slide rail B	Colour	Article number	Hinge-opposite side without slide rail	Colour	Article number
TS-51 G (1-4)	Silver RAL 9006*	305163EA1A01010	TS-51 G (1-4)	Silver RAL 9006*	355163EA1A00010
TS-51 G (1-4)	White RAL 9016	305163EA3E01010	TS-51 G (1-4)	White RAL 9016	355163EA3E00010
TS-51 G (1-4)	Brown RAL 8014	305163EA3D01010	TS-51 G (1-4)	Brown RAL 8014	355163EA3D00010
TS-51 G (1-4)	Black RAL 9005	305163EA3G01010	TS-51 G (1-4)	Black RAL 9005	355163EA3G00010

\*Door closer body in silver RAL 9006, ECOcllic stainless steel satin or polished as option



# ECO MOUNT



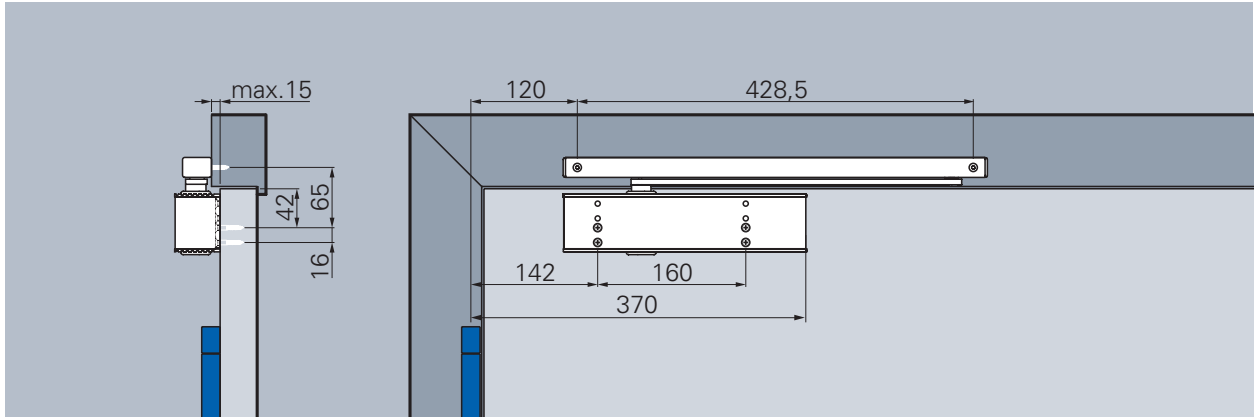
## ECO Newton Highlights in detail.

### Well-conceived assembly system

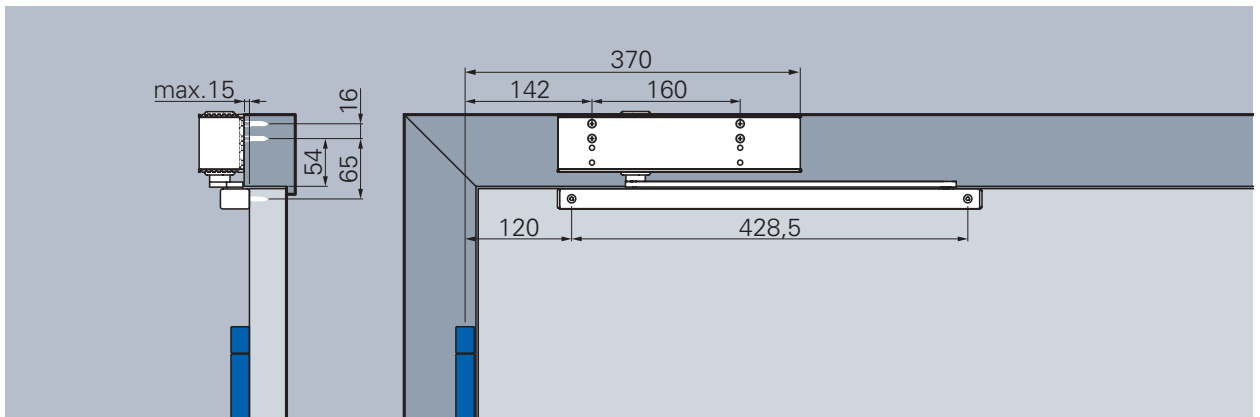
The special feature of the ECO Newton assembly system is that the mounting plate is completely concealed by the aluminium body of the closer, thus making it invisible. The mounting plate has standardized drill holes which guarantee time-saving, secure and simple attachment.

# Hinge side

Mounting with slide rail B, illustration DIN left-door, DIN right laterally reversed



Standard mounting with slide rail B, hinge side



Head mounting with slide rail B, hinge side

## Closing speed

Continuously adjustable closing speed from approx. 180° to 0°.

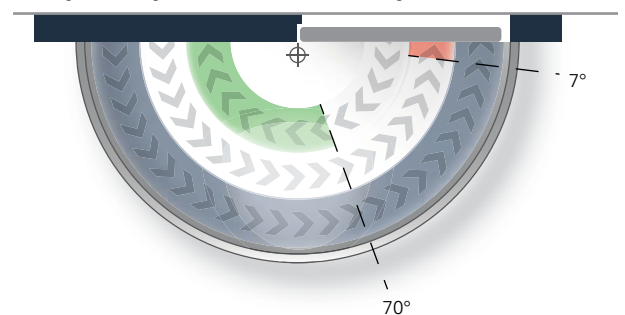
## Latching speed

Increases the closing speed and thus the safe closing of the door, for example to overcome door seals, door locks and high air pressure. Continuously adjustable, works between 7 to 0°

## Back-check

Reduces the opening speed starting at 70° and avoids the slamming of the door. Back-check continuously adjustable

Closing force diagram ECO Newton TS-51, hinge side



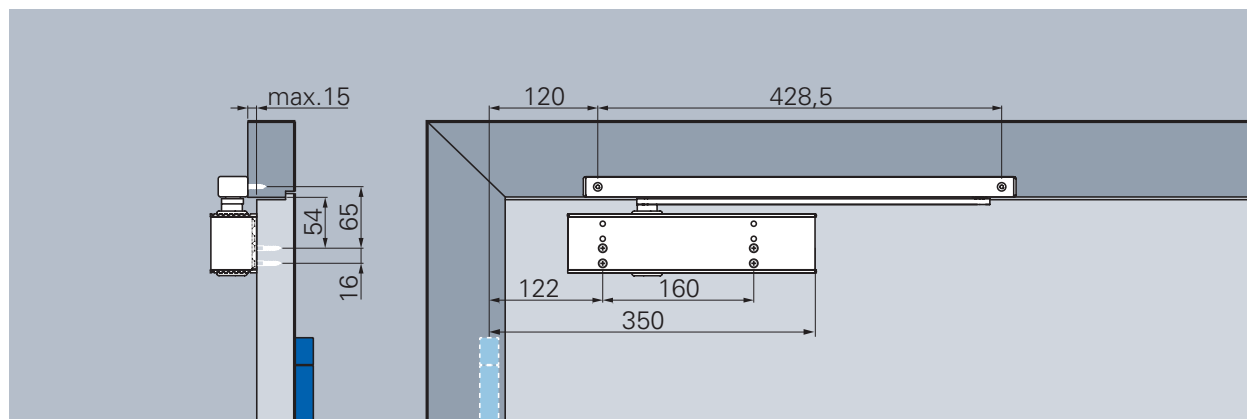
### Closing force:

**Continuously adjustable** min. size 1  
max. size 4

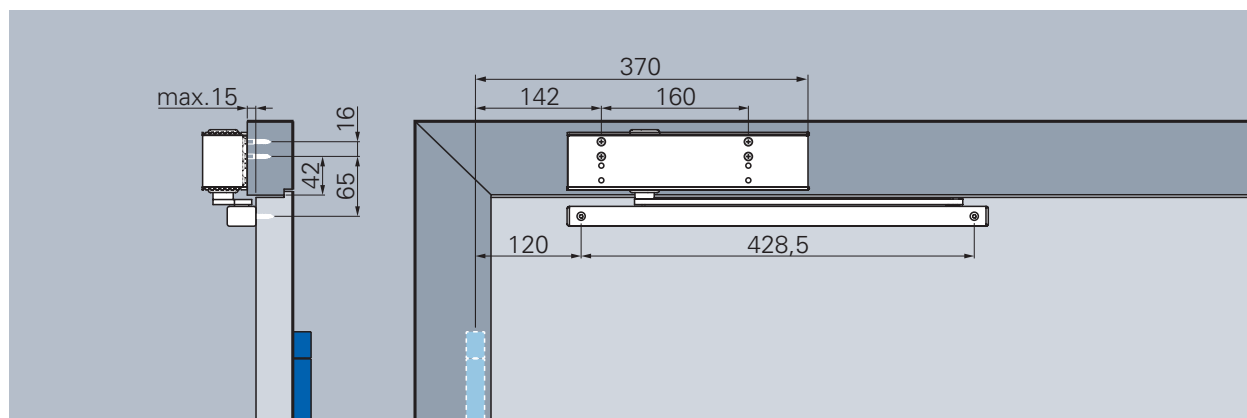
**Default delivery condition:** size 3

# Hinge-opposite side

Mounting with slide rail B, illustration DIN right-door, DIN right laterally reversed



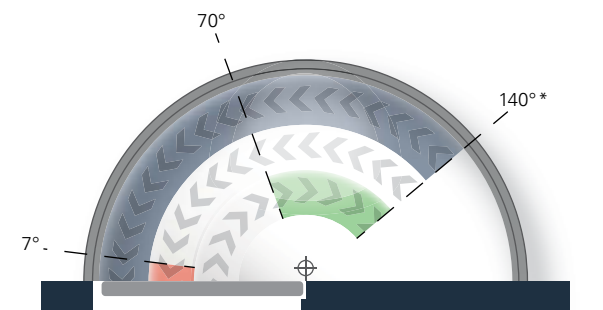
Standard mounting with slide rail B, hinge-opposite side



Head mounting with slide rail B, hinge-opposite side

- **Closing speed**  
 Continuously adjustable closing speed from approx. 140° to 0°.
- **Latching speed**  
 Increases the closing speed and thus the safe closing of the door, for example to overcome door seals, door locks and high air pressure. Continuously adjustable, works between 7 to 0°
- **Back-check**  
 Reduces the opening speed starting at 70° and avoids the slamming of the door. Back-check continuously adjustable

Closing force diagram ECO Newton TS-51, hinge-opposite side



**Note!:**  
**Back-check out of order for head-mounting / mounting on hinge-opposite side**

\*Varies according to door thickness and type of hinge

**A door stopper for opening limit is a must!**

# ECO Newton<sup>TS-41</sup>

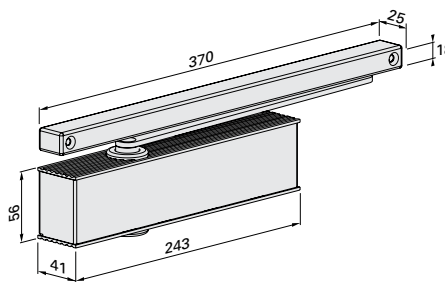
**SWISSDOOR**  
DØRTEKNIK FOR PROFESSIONELLE



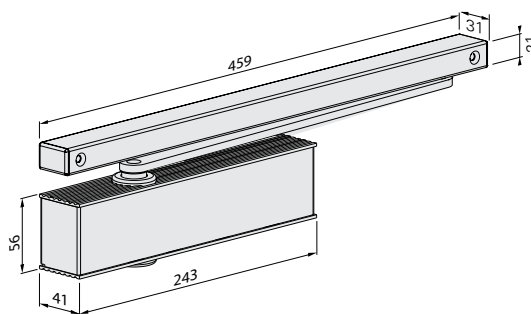
**Product characteristics**

Closing force (continuously adjustable)	Size acc. to EN	1 – 4
Door width	acc. to EN ≤ 1.100 mm	■
Dimensions (incl. mounting plate)	Length in mm Depth in mm Height in mm	243 41 56
Mounting plate acc. to EN 1154 A (supplementary sheet 1) with GS B		□
Hinge-side and hinge-opposite side		■
DIN left / right		■
Latching speed (continuously adjustable)		■
Closing speed (continuously adjustable)		■
Back-check (constant)		■
Delayed action (continuously adjustable)		-
Tested acc. to EN	<b>EN 1154 A</b>	
Suitable for fire- and smoke control doors	<b>F</b>	
Certified according to EU-Directive	<b>CE</b>	

- Yes
- No
- Option



Dimensions: TS-41 with slide rail K



Dimensions: TS-41 with slide rail B

**ECO Newton TS-41 ■ Highlights at a glance**

**ECO UNITY**

**ECO PHYSIS**

**ECO CLIC**

**ECO VALVE**

**ECO GREEN**

**ECO LINE**

**ECO VARIO**

**ECO MOUNT**

**ECO COVER2**

\*optional

Details regarding the ECO Newton Highlights can be found in the intro of this chapter.

Body: Silver RAL 9006 ECOcllic: Stainless steel polished or satin	Body + ECOcllic: White RAL 9016	Body + ECOcllic: Black RAL 9005	Body + ECOcllic: Brown RAL 8014

Slide rail and arm are always delivered in the same colour as the ordered door closer body.

Under-lintel angle  
for door closer  
Page 165

Under-lintel angle  
for slide rail  
Page 165

Adaptor profile  
Page 167

Glass clamping  
device on page  
166.

# Order information

## ECO Newton TS-41 ▪ Door closer with slide rail

### Product information

Closing force 1- 4, tested acc. to **EN 1154 A** (for door width up to 1.100 mm) continuously adjustable. Latching speed and closing speed continuously adjustable. Back-check fixed. Same version DIN left and DIN right. Mounting height only 41 mm. Weight: 1.380g. Max. door opening angle: 180°

- ECOunity: Standard mounting and head mounting on hinge side and hinge-opposite side. One execution for all four mounting types
- ECOphysis: Door closer and slide rail build a unit in aluminium and stainless steel
- ECOcllic: The stainless steel cover encloses the aluminium body with the power of spring steel and conceals all of the adjusting elements, thus securing the closer against unauthorized access.
- ECOmount: Mounting plate as option, according to **EN 1154**, supplementary sheet 1 - only with slide rail B
- ECOvalve: Simple, high-precision and permanently secure adjustment of all parameters of the closing process with one conventional Allen key.
- ECOcover<sup>2</sup>: Optional stainless steel covering for the ECO Newton door closers and related slide rails. Please order the lever arm for the perfect overall appearance.
- ECOgreen: The intelligent construction and carefully planned use of materials help considerably to save resources
- ECOline: The mounted slide rail and door closer are flush when the door is closed. The colours of all materials are perfectly matched - right down to the end caps of the slide rail.
- ECOvario: permits the use of all slide rail door closers and can even be combined with different door leaf widths. In this way, optimum value for money can be achieved for each individual door situation.



When ordering a closing sequence selector, please order the respective arm B for ECO Newton TS-41 (please refer to page 163).

### Article numbers



Door closer slide rail K	Colour	Article number	Door closer without slide rail	Colour	Article number
TS-41 K (1-4)	Silver RAL 9006*	304152F11A00910	TS-41 (1-4)	Silver RAL 9006*	354152F11A00010
TS-41 K (1-4)	White RAL 9016	304152F11E00910	TS-41 (1-4)	White RAL 9016	354152F11E00010
TS-41 K (1-4)	Brown RAL 8014	304152F11D00910	TS-41 (1-4)	Brown RAL 8014	354152F11D00010
TS-41 K (1-4)	Black RAL 9005	304152F11G00910	TS-41 (1-4)	Black RAL 9005	354152F11G00010

Door closer slide rail B	Colour	Article number
TS-41 B (1-4)	Silver RAL 9006*	354152F11A00010 + 350120000A00500
TS-41 B (1-4)	White RAL 9016	354152F11E00010 + 350120000E00500
TS-41 B (1-4)	Brown RAL 8014	354152F11D00010 + 350120000D00500
TS-41 B (1-4)	Black RAL 9005	354152F11G00010 + 350120000G00500

\*Door closer body in silver RAL 9006, ECOcllic stainless steel satin, polished on request

# ECO LINE



## ECO Newton Highlights in detail.

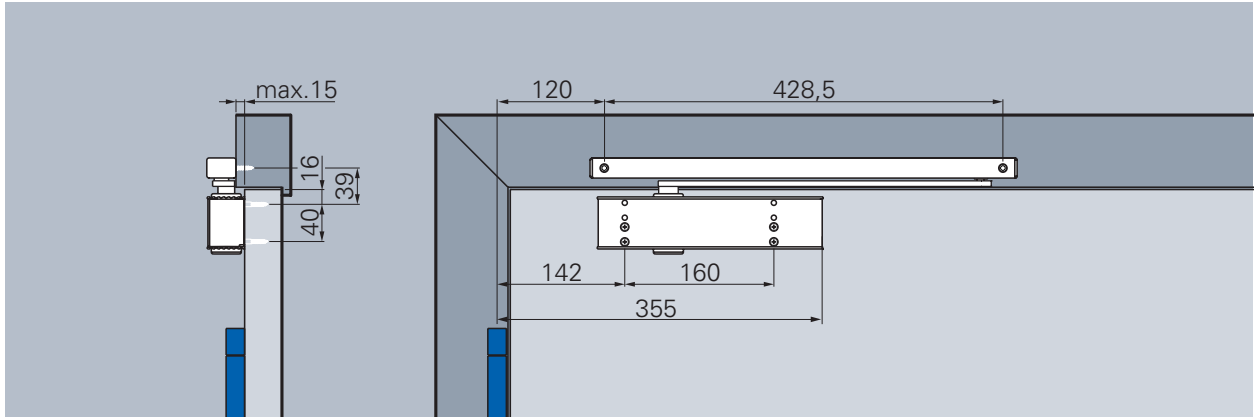
### Uniform edges and colour design:

The mounted slide rail and door closer are flush when the door is closed. The colours of all materials are perfectly matched - right down to the end caps of the slide rail. In this way, ECO Newton door closers can be integrated harmoniously into every design context.

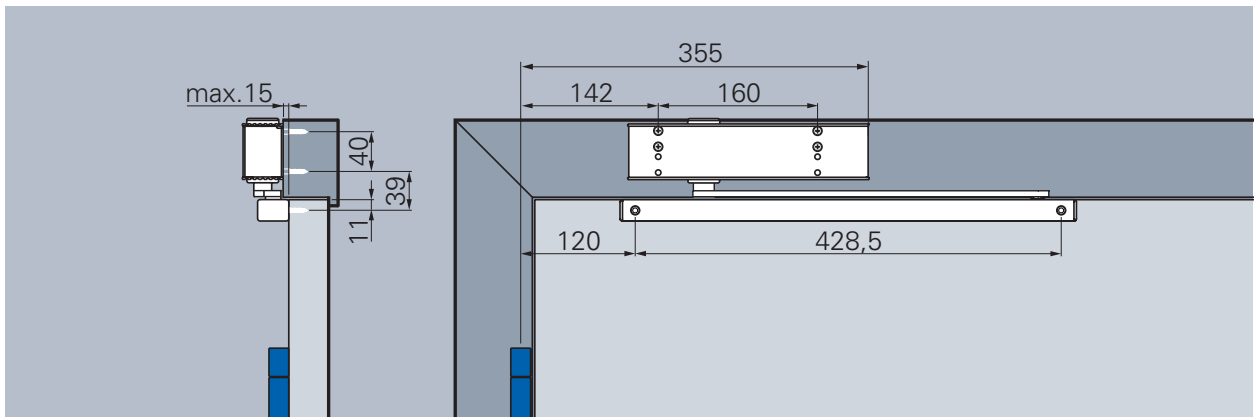


# Hinge side

Mounting with slide rail B, illustration DIN left-door, DIN right laterally reversed



Standard mounting with slide rail B, hinge side (with optional mounting plate with DIN holes)



Head mounting with slide rail B, hinge side (with optional mounting plate with DIN holes)

## Closing speed

Continuously adjustable closing speed from approx. 180° to 0°.

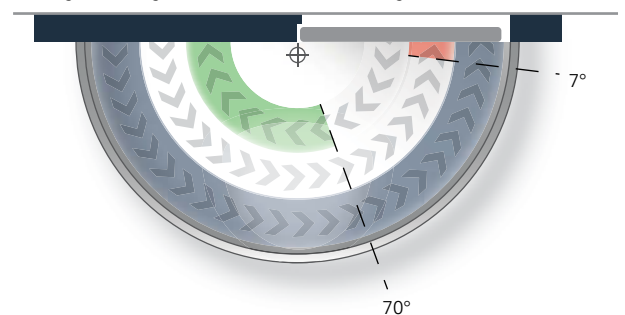
## Latching speed

Increases the closing speed and thus the safe closing of the door, for example to overcome door seals, door locks and high air pressure. Continuously adjustable, works between 7 to 0°

## Back-check

Reduces the opening speed starting at 70° and avoids the slamming of the door. Back-check fixed.

Closing force diagram ECO Newton TS-41, hinge side



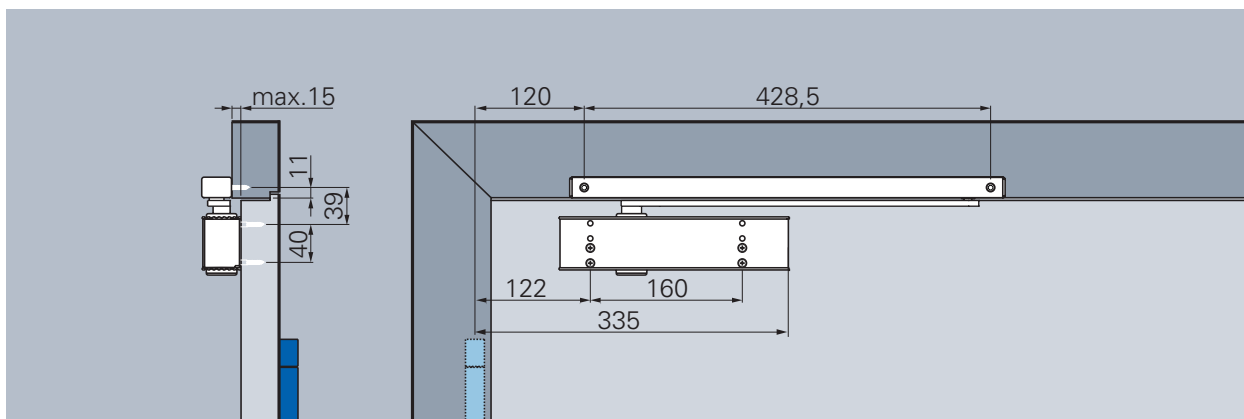
### Closing force:

**Continuously adjustable** min. size 1  
max. size 4

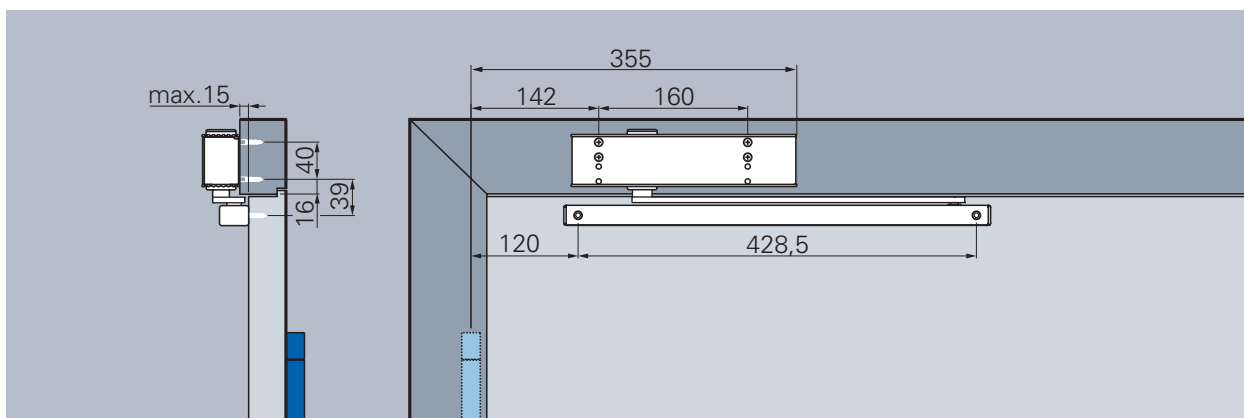
**Default delivery condition:** size 3

# Hinge-opposite side

Mounting with slide rail B, illustration DIN right-door, DIN right laterally reversed



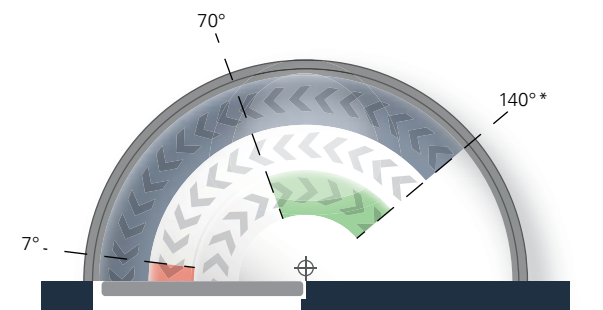
Standard mounting with slide rail B, hinge-opposite side (with optional mounting plate with DIN holes)



Head mounting with slide rail B, hinge-opposite side (with optional mounting plate with DIN holes)

- Closing speed**  
Continuously adjustable closing speed from approx. 140° to 0°.
- Latching speed**  
Increases the closing speed and thus the safe closing of the door, for example to overcome door seals, door locks and high air pressure. Continuously adjustable, works between 7 to 0°
- Back-check**  
Reduces the opening speed starting at 70° and avoids the slamming of the door. Back-check fixed

Closing force diagram ECO Newton TS-41, hinge-opposite side



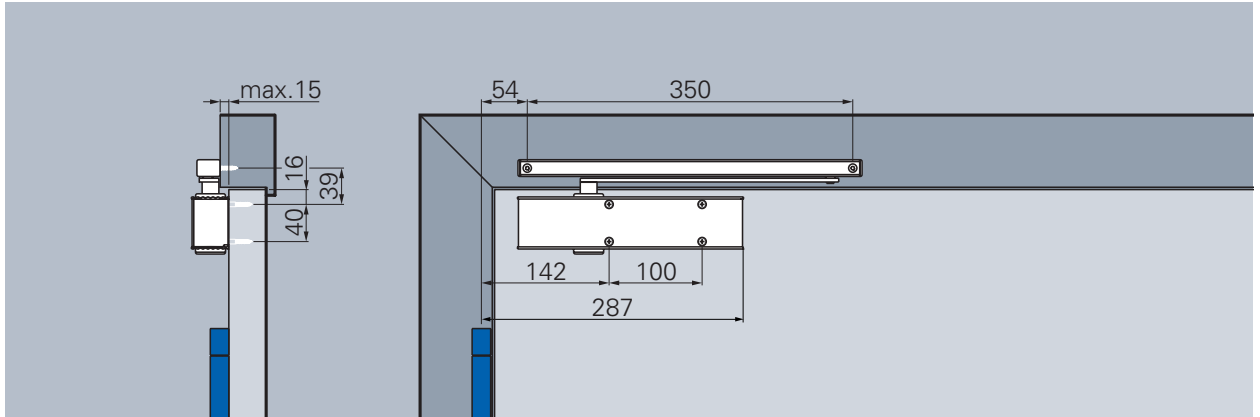
**Note!:**  
**Back-check out of order for head-mounting / mounting on hinge-opposite side**

\*Varies according to door thickness and type of hinge

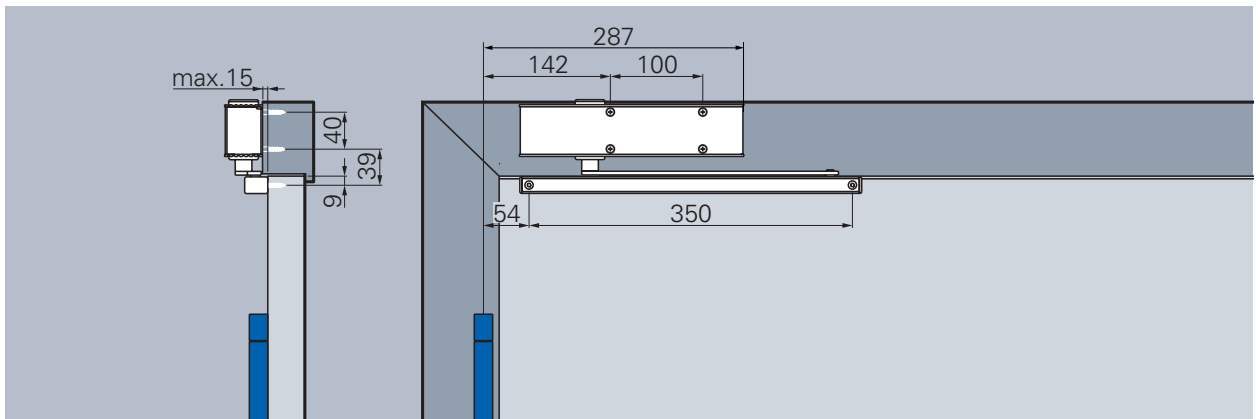
**A door stopper for opening limit is a must!**

# Hinge side

Mounting with slide rail K, illustration DIN left-door, DIN right laterally reversed



Standard mounting with slide rail K, hinge side (direct mounting, without mounting plate)



Head mounting with slide rail K, hinge side (direct mounting, without mounting plate)

## Closing speed

Continuously adjustable closing speed from approx. 180° to 0°.

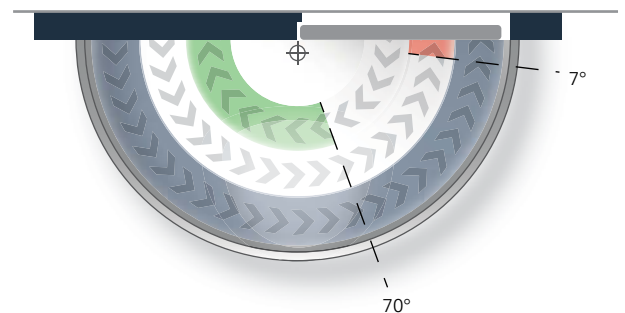
## Latching speed

Increases the closing speed and thus the safe closing of the door, for example to overcome door seals, door locks and high air pressure. Continuously adjustable, works between 7 to 0°

## Back-check

Reduces the opening speed starting at 70° and avoids the slamming of the door. Back-check fixed

Closing force diagram ECO Newton TS-41, hinge side



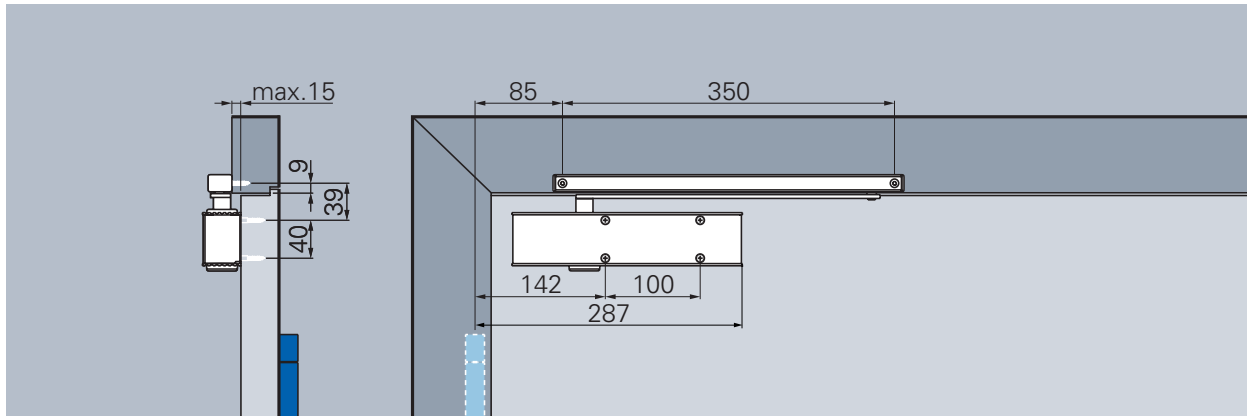
### Closing force:

**Continuously adjustable** min. size 1  
max. size 4

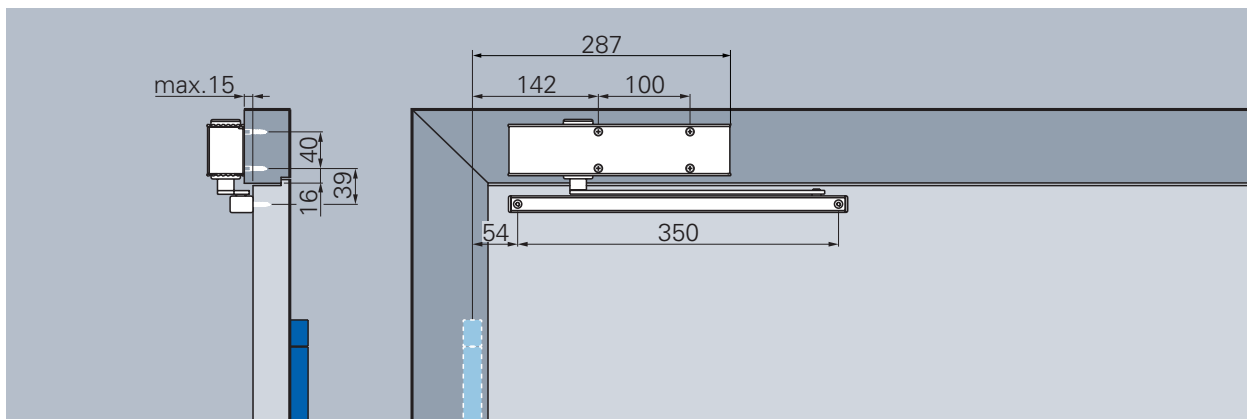
**Default delivery condition:** size 3

# Hinge-opposite side

Mounting with slide rail K, illustration DIN right-door, DIN right laterally reversed



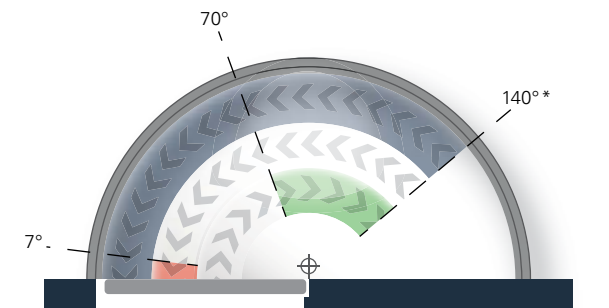
Standard mounting with slide rail K, hinge-opposite side (direct mounting, without mounting plate)



Head mounting with slide rail K, hinge-opposite side (direct mounting, without mounting plate)

- Closing speed**  
Continuously adjustable closing speed from approx. 140° to 0°.
- Latching speed**  
Increases the closing speed and thus the safe closing of the door, for example to overcome door seals, door locks and high air pressure. Continuously adjustable, works between 7 to 0°
- Back-check**  
Reduces the opening speed starting at 70° and avoids the slamming of the door. Back-check fixed

Closing force diagram ECO Newton TS-41, hinge-opposite side



**Note!:**  
**Back-check out of order for head-mounting / mounting on hinge-opposite side**

\*Varies according to door thickness and type of hinge

**A door stopper for opening limit is a must!**

# ECO Newton<sup>TS-31</sup>

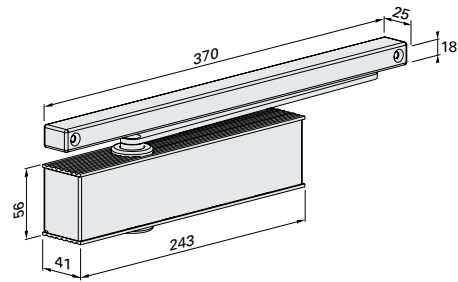
**SWISSDOOR**  
DØRTEKNIK FOR PROFESSIONELLE



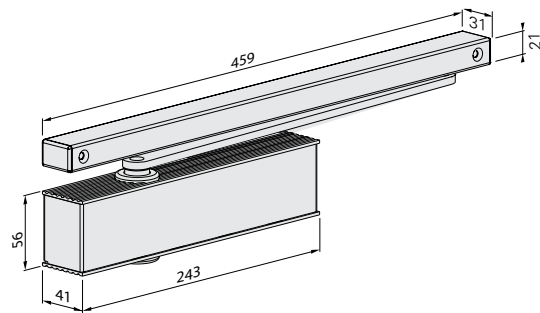
**Product characteristics**

Closing force (continuously adjustable)	Size acc. to EN	1 - 3
Door width	acc. to EN ≤ 950 mm	■
Dimensions (incl. mounting plate)	Length in mm Depth in mm Height in mm	243 41 56
Mounting plate acc. to EN 1154 A (supplementary sheet 1) with GS B		□
Hinge-side and hinge-opposite side		■
DIN left / right		■
Latching speed (continuously adjustable)		■
Closing speed (continuously adjustable)		■
Back-check (constant)		■
Delayed action (continuously adjustable)		-
Tested acc. to EN	<b>EN 1154 A</b>	
Suitable for fire- and smoke control doors	<b>F</b>	
Certified according to EU-Directive	<b>CE</b>	

- Yes
- No
- Option



Dimensions: TS-31 with slide rail K



Dimensions: TS-31 with slide rail B

**ECO Newton TS-31 ■ Highlights at a glance**



\*optional

Details regarding the ECO Newton Highlights can be found in the intro of this chapter.



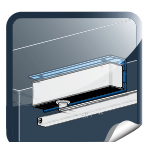
Body: Silver RAL 9006  
ECOcllic: Stainless steel  
polished or satin

Body + ECOcllic:  
White RAL 9016

Body + ECOcllic:  
Black RAL 9005

Body + ECOcllic:  
Brown RAL 8014

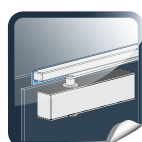
Slide rail and arm are always delivered in the same colour as the ordered door closer body.



Under-lintel angle  
for door closer  
Page 165



Under-lintel angle  
for slide rail  
Page 165



Adaptor profile  
Page 167

# Order information

## ECO Newton TS-31 ▪ Door closer with slide rail

### Product information

Closing force 1-3, tested acc. to **EN 1154 A** (for door widths up to 950 mm) continuously adjustable. Latching speed and closing speed continuously adjustable from the side. Same version DIN left and DIN right. Mounting height only 41 mm. Weight: 1.380. Max. door opening angle: 180°

- ECOunity: Standard mounting and head mounting on hinge side and hinge-opposite side. One execution for all four mounting types
- ECOphysis: Door closer and slide rail build a unit in aluminium and stainless steel
- ECOcllic: The stainless steel cover encloses the aluminium body with the power of spring steel and conceals all of the adjusting elements, thus securing the closer against unauthorized access.
- ECOmount: Optional mounting plate according to **EN 1154**, supplementary sheet 1 - only with slide rail B
- ECOvalve: Simple, high-precision and permanently secure adjustment of all parameters of the closing process with one conventional Allen key.
- ECOcover<sup>2</sup>: Optional stainless steel cover for the ECO Newton door closers and related slide rails. Please order the lever arm in stainless steel look for the perfect overall appearance.
- ECOgreen: The intelligent construction and carefully planned use of materials help considerably to save resources
- ECOline: The mounted slide rail and door closer are flush when the door is closed. The colours of all materials are perfectly matched - right down to the end caps of the slide rail K
- ECOvario: permits the use of all slide rail door closers and can even be combined with different door leaf widths. In this way, optimum value for money can be achieved for each individual door situation.



When ordering a closing sequence selector, please order the respective arm B for ECO Newton TS-31 (please refer to page 163).

### Article numbers



Door closer slide rail K	Colour	Article number	Door closer without slide rail	Colour	Article number
TS-31 K (1-3)	Silver RAL 9006*	303152F11A09010	TS-31 (1-3)	Silver RAL 9006*	353152F11A00010
TS-31 K (1-3)	White RAL 9016	303152F11E09010	TS-31 (1-3)	White RAL 9016	353152F11E00010
TS-31 K (1-3)	Brown RAL 8014	303152F11D09010	TS-31 (1-3)	Brown RAL 8014	353152F11D00010
TS-31 K (1-3)	Black RAL 9005	303152F11G09010	TS-31 (1-3)	Black RAL 9005	353152F11G00010

Door closer slide rail B	Colour	Article number
TS-31 B (1-3)	Silver RAL 9006*	353152F11A00010 + 350120000A00500
TS-31 B (1-3)	White RAL 9016	353152F11E00010 + 350120000E00500
TS-31 B (1-3)	Brown RAL 8014	353152F11D00010 + 350120000D00500
TS-31 B (1-3)	Black RAL 9005	353152F11G00010 + 350120000G00500

\*Door closer body in silver RAL 9006, ECOcllic stainless steel satin, polished on request

# ECO COVER<sup>2</sup>



## ECO Newton Highlights in detail.

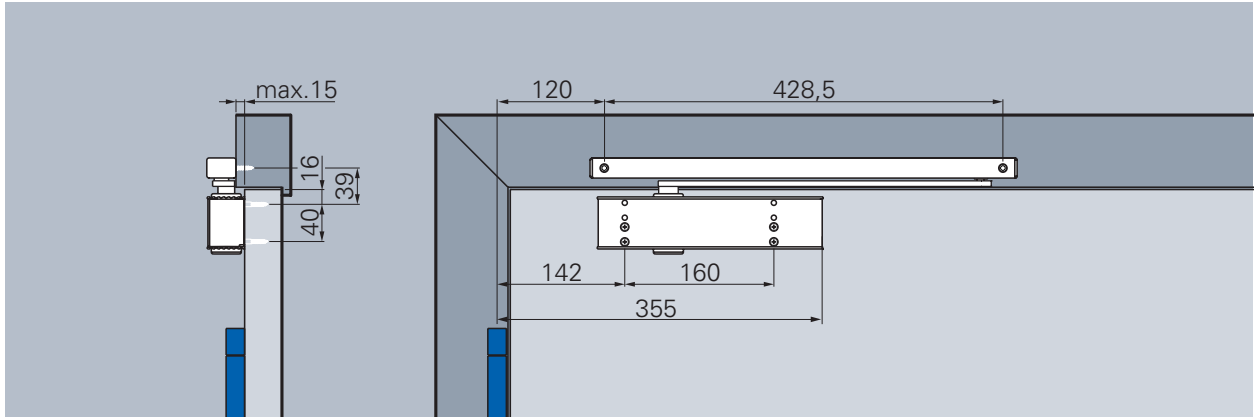
### **Stainless steel full cover:**

The full cover is an optional stainless steel cover for the ECO Newton door closers and related slide rails. The overall appearance is perfected by a lever arm with a stainless steel look. A cover for the closer body is available for standard arm door closers.

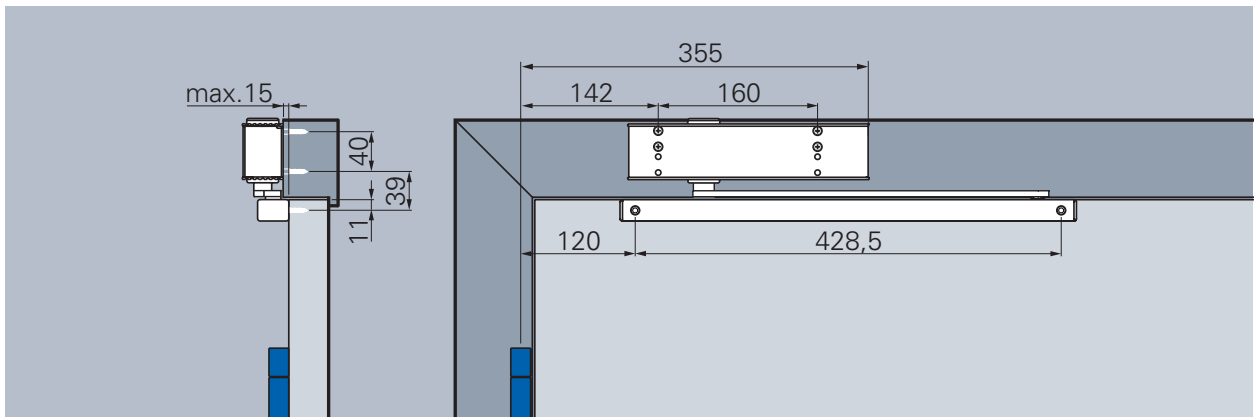


# Hinge side

Mounting with slide rail B, illustration DIN left-door, DIN right laterally reversed



Standard mounting with slide rail B, hinge side (with optional mounting plate with DIN holes)



Head mounting with slide rail B, hinge side (with optional mounting plate with DIN holes)

## Closing speed

Continuously adjustable closing speed from approx. 180° to 0°.

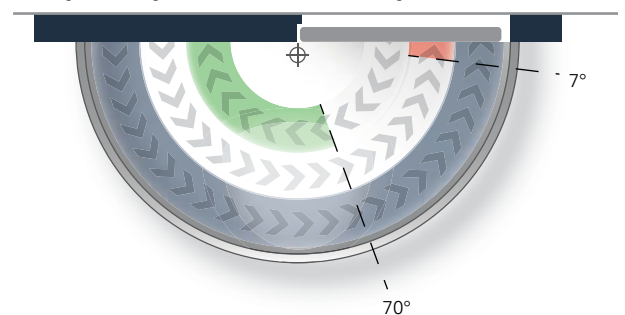
## Latching speed

Increases the closing speed and thus the safe closing of the door, for example to overcome door seals, door locks and high air pressure. Continuously adjustable, works between 7 to 0°

## Back-check

Reduces the opening speed starting at 70° and avoids the slamming of the door. Back-check continuously adjustable

Closing force diagram ECO Newton TS-31, hinge side



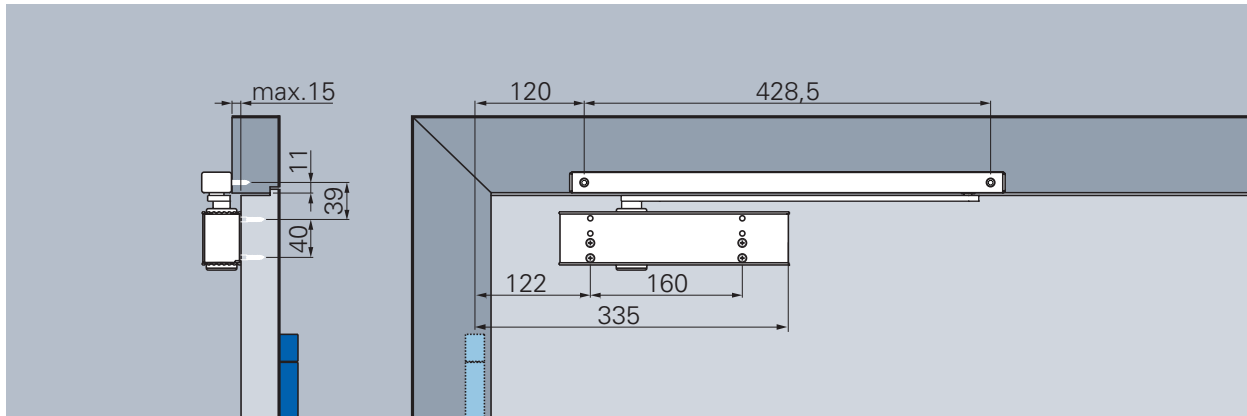
### Closing force:

**Continuously adjustable** min. size 1  
max. size 3

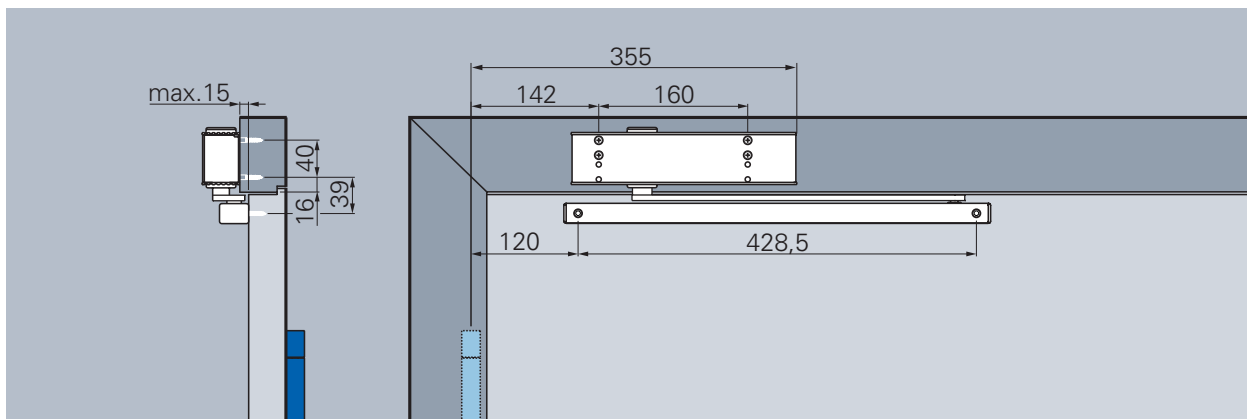
**Default delivery condition:** size 3

# Hinge-opposite side

Mounting with slide rail B, illustration DIN right-door, DIN right laterally reversed



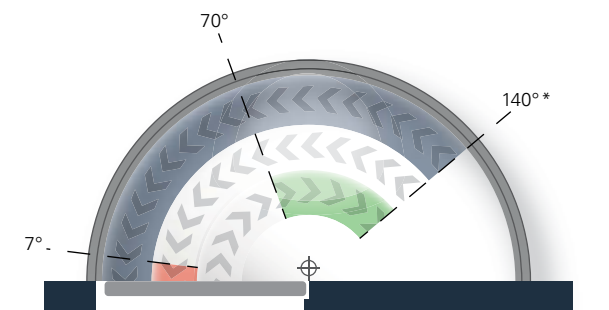
Standard mounting with slide rail B, hinge-opposite side (with optional mounting plate with DIN holes)



Head mounting with slide rail B, hinge-opposite side (with optional mounting plate with DIN holes)

- Closing speed**  
Continuously adjustable closing speed from approx. 140°\* to 0°.
- Latching speed**  
Increases the closing speed and thus the safe closing of the door, for example to overcome door seals, door locks and high air pressure. Continuously adjustable, works between 7 to 0°
- Back-check**  
Reduces the opening speed starting at 70° and avoids the slamming of the door. Back-check continuously adjustable

Closing force diagram ECO Newton TS-31, hinge-opposite side



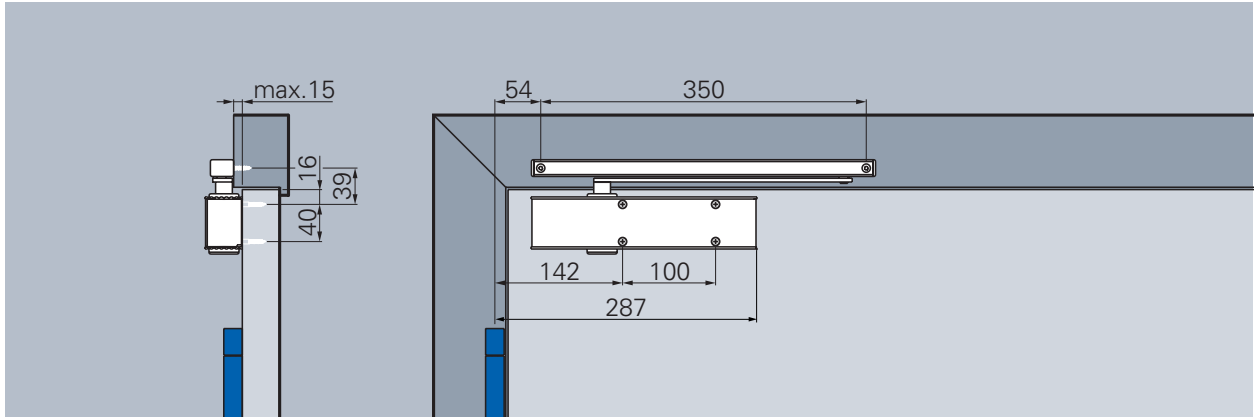
**Note!:**  
**Back-check out of order for head-mounting / mounting on hinge-opposite side**

\*Varies according to door thickness and type of hinge

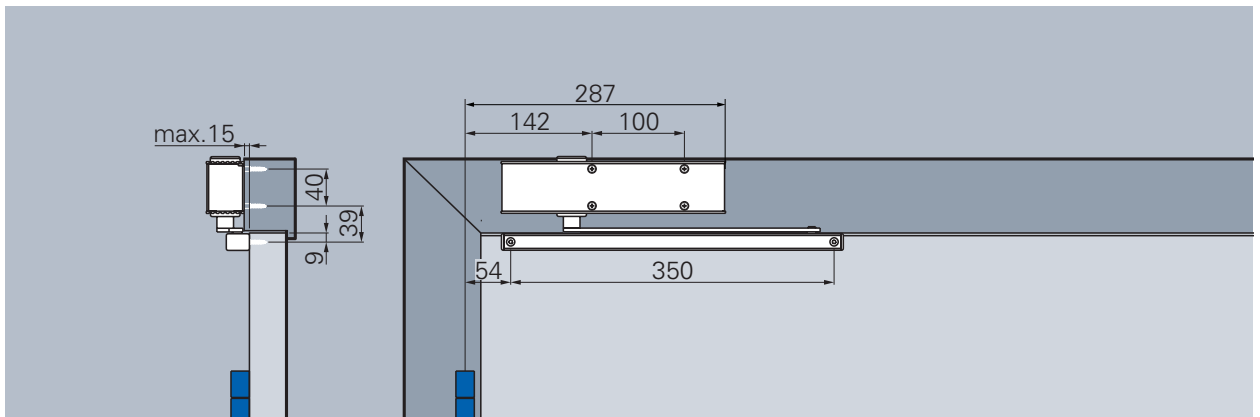
**A door stopper for opening limit is a must!**

# Hinge side

Mounting with slide rail K, illustration DIN left-door, DIN right laterally reversed



Standard mounting with slide rail K, hinge side (direct mounting, without mounting plate)



Head mounting with slide rail K, hinge side (direct mounting, without mounting plate)

## Closing speed

Continuously adjustable closing speed from approx. 180° to 0°.

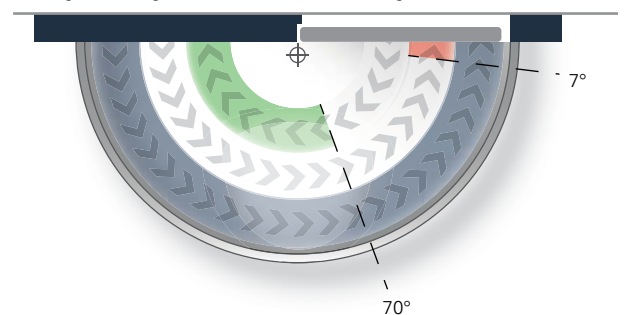
## Latching speed

Increases the closing speed and thus the safe closing of the door, for example to overcome door seals, door locks and high air pressure. Continuously adjustable, works between 7 to 0°

## Back-check

Reduces the opening speed starting at 70° and avoids the slamming of the door. Back-check fixed

Closing force diagram ECO Newton TS-31, hinge side



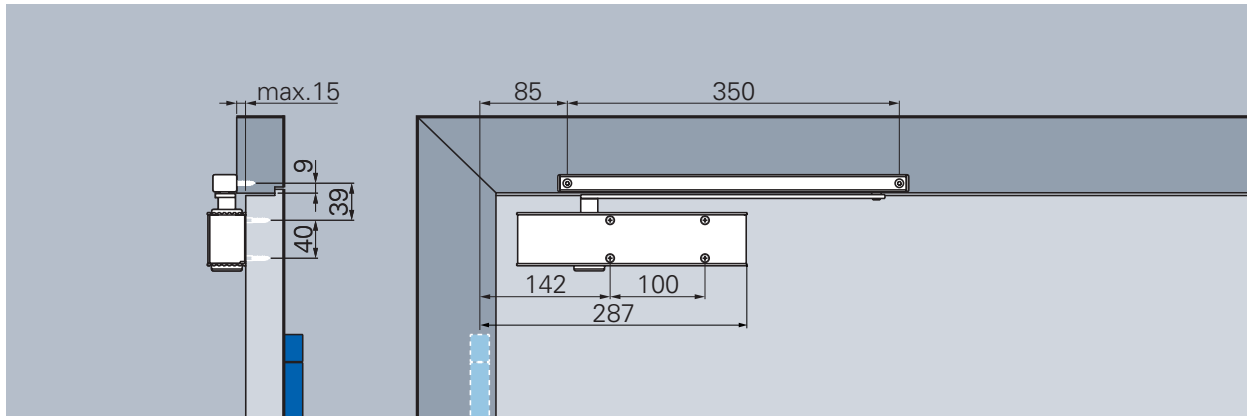
### Closing force:

**Continuously adjustable** min. size 1  
max. size 3

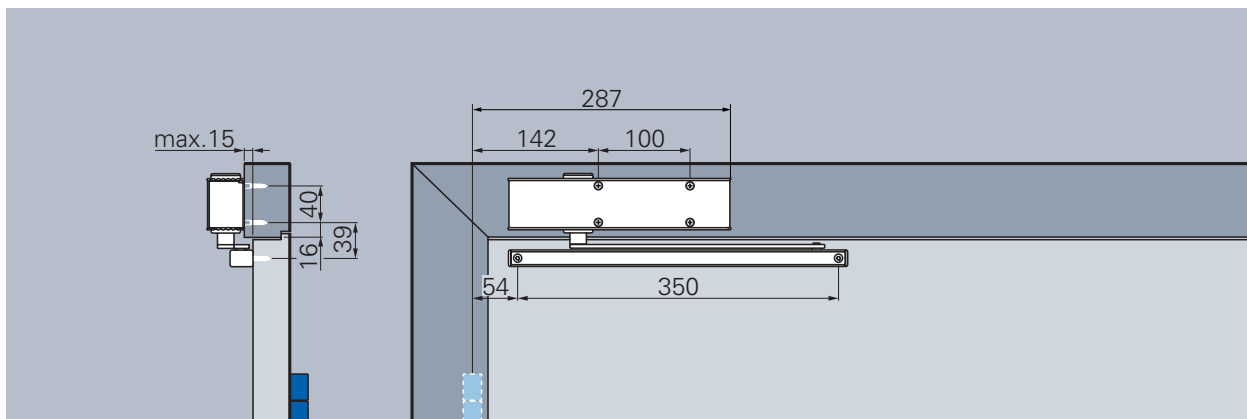
**Default delivery condition:** size 3

# Hinge-opposite side

Mounting with slide rail K, illustration DIN right-door, DIN right laterally reversed



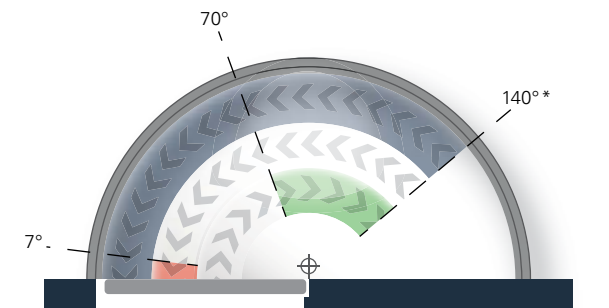
Standard mounting with slide rail K, hinge-opposite side (direct mounting, without mounting plate)



Head mounting with slide rail K, hinge-opposite side (direct mounting, without mounting plate)

- Closing speed**  
Continuously adjustable closing speed from approx. 140°\* to 0°.
- Latching speed**  
Increases the closing speed and thus the safe closing of the door, for example to overcome door seals, door locks and high air pressure. Continuously adjustable, works between 7 to 0°
- Back-check**  
Reduces the opening speed starting at 70° and avoids the slamming of the door. Back-check fixed

Closing force diagram ECO Newton TS-31, hinge-opposite side

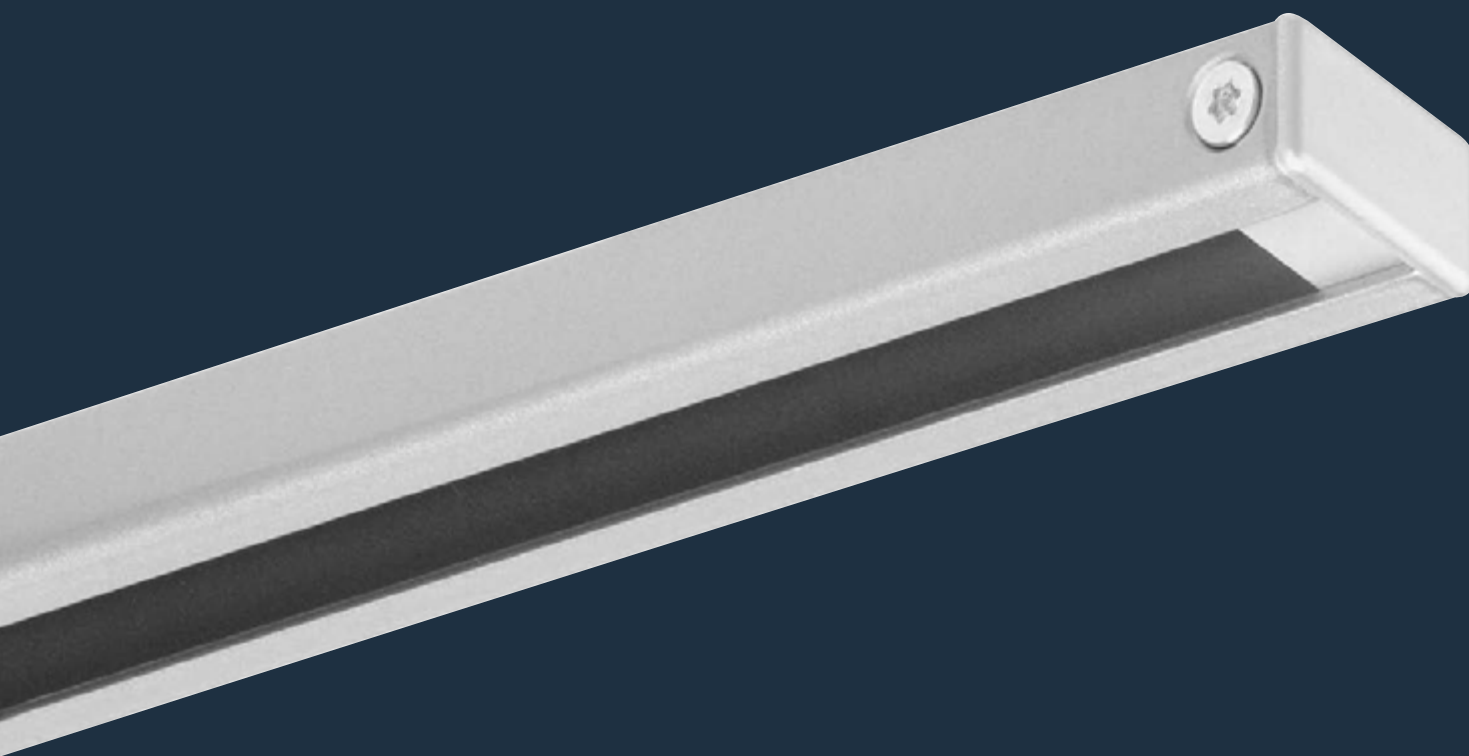


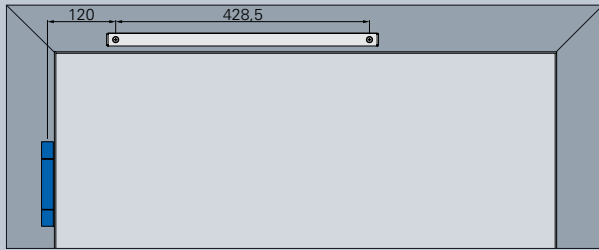
**Note!:**  
**Back-check out of order for head-mounting / mounting on hinge-opposite side**

\*Varies according to door thickness and type of hinge

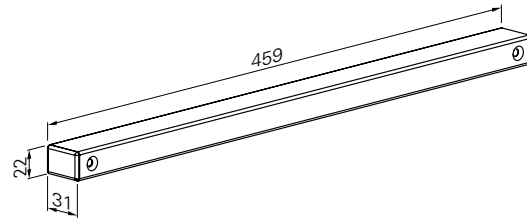
**A door stopper for opening limit is a must!**

ECO **Newton** slide rails





Mounting slide rail B



### Slide rail B (Basis)

For ECO **Newton TS-61, TS-51, TS-41\*, TS-31\*** and **Multi-Genius** (surface mounted)

For surface fixed

For the use in fire-protection. Slide rail is tested acc. to **EN 1154 A**. Delivery includes lever arm B for TS-61/51.

Slide rail	Colour	Article number
<b>GS B Si</b>	Silver RAL 9006	350120000A00010
<b>GS B W</b>	White RAL 9016	350120000E00010
<b>GS B Br</b>	Brown RAL 8014	350120000D00010
<b>GS B S</b>	Black RAL 9005	350120000G00010

### Slide rail with mechanical locking device (GS B-FKL)

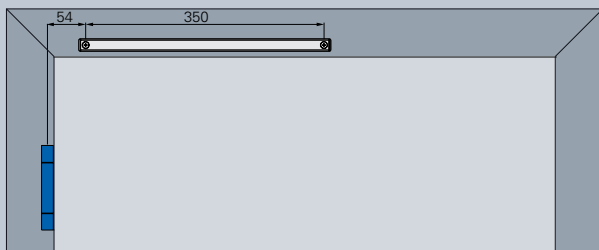
For ECO **Newton TS-61, TS-51, TS-41\*, TS-31\*** and **Multi-Genius** (surface mounted)

Hold-open angle adjustable from approx. 70° to 150°.

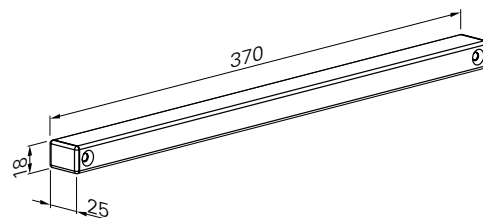
For surface fixed

This version can be achieved afterwards by using slide rail B and accessory set FKL.  
**Not** suitable for the use in fire-protection. Delivery includes lever arm B for TS-61 / 51.

Slide rail	Colour	Article number
<b>GS B-FKL Si</b>	Silver RAL 9006	350120000A56210
<b>GS B-FKL W</b>	White RAL 9016	350120000E56210
<b>GS B-FKL Br</b>	Brown RAL 8014	350120000D56210
<b>GS B-FKL S</b>	Black RAL 9005	350120000G56210



Mounting slide rail K



### Slide rail K

For door closer ECO **Newton TS-41, TS-31** and **TS-15**

For surface fixed

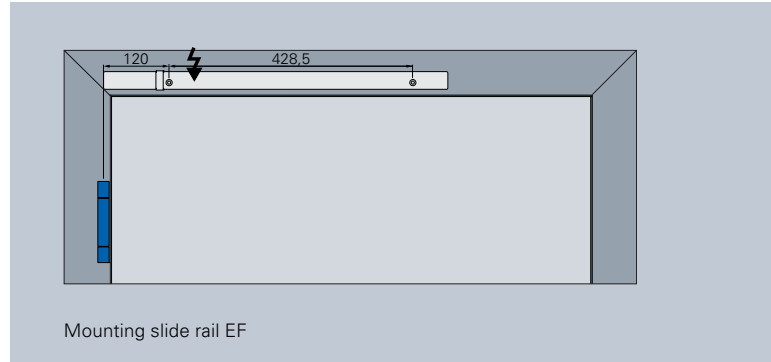
Use in fire-protection only with ECO Newton TS-41 and TS-31. Slide rail is tested acc. to **EN 1154 A**.

Delivery includes lever arm K

Slide rail	Colour	Article number
<b>GS K Si</b>	Silver RAL 9006	350150000A00000
<b>GS K W</b>	White RAL 9016	350150000E00000
<b>GS K Br</b>	Brown RAL 8014	350150000D00000
<b>GS K S</b>	Black RAL 9005	350150000G00000

\*When using with the door closer TS-41 and TS-31, the correct arm for slide rail B has to be ordered. Suitable arms on page 163.  
 Swissdoor ApS • Stenhuggervej 2 • 5471 Sønderød • Danmark Telefon +45 86 28 00 00 • mail@swissdoor.dk • www.swissdoor.dk

## Slide rails for single-leaf doors (surface mounted)



### EF

#### Slide rail with electromagnetic hold-open

for ECO **Newton TS-61, TS-51, TS-41\*, TS-31\*** and **Multi-Genius** (surface mounted)

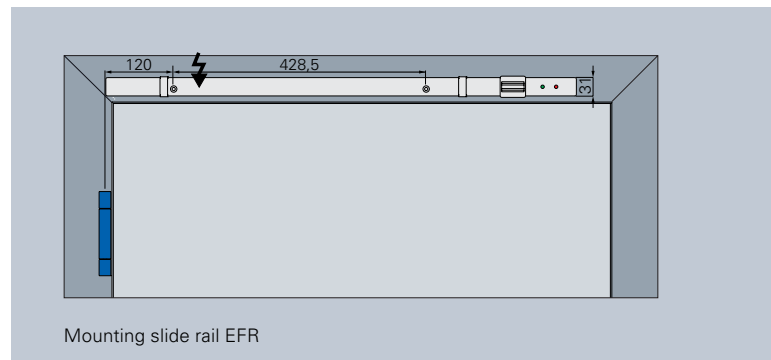
Controlled by external fire alarm system. Hold-open angle adjustable from approx. 70° to 130°.

Input power 24 V DC, maximum 1 W. Power requirement only when door leaf in hold-open position.

Delivery includes lever arm B for TS-61 / 51.

Mounting only on pull side possible. Slide rail is tested acc. to **EN 1155** and approved by DIBt.

Slide rail EF DIN left	Colour	Article number	Slide rail EF DIN right	Colour	Article number
<b>GS-EF Si</b>	Silver RAL 9006	350100000A03501	<b>GS-EF Si</b>	Silver RAL 9006	350100000A03502
<b>GS-EF W</b>	White RAL 9016	350100000E03501	<b>GS-EF W</b>	White RAL 9016	350100000E03502
<b>GS-EF Br</b>	Brown RAL 8014	350100000D03501	<b>GS-EF Br</b>	Brown RAL 8014	350100000D03502
<b>GS-EF S</b>	Black RAL 9005	350100000G03501	<b>GS-EF S</b>	Black RAL 9005	350100000G03502
<b>GS-EF ER</b>	Stainless steel satin	350100000Q03511	<b>GS-EF ER</b>	Stainless steel satin	350100000Q03512



### EFR

#### Slide rail with electromagnetic hold-open and integrated smoke detector

for ECO **Newton TS-61, TS-51, TS-41\*, TS-31\*** and **Multi-Genius** (surface mounted)

Controlled by integrated smoke detector with power supply. Power supply 220 V AC. Maximum 2 W power requirement when door leaf in hold-open position. When door is closed, maximum power requirement 1 W.

Delivery includes lever arm B for TS-61 / 51.

Mounting only on pull side possible. Slide rail is tested acc. to **EN 1155** and approved by DIBt.

Slide rail EFR DIN left	Colour	Article number	Slide rail EFR DIN right	Colour	Article number
<b>GS-EFR Si</b>	Silver RAL 9006	350100000A05501	<b>GS-EFR Si</b>	Silver RAL 9006	350100000A05502
<b>GS-EFR W</b>	White RAL 9016	350100000E05501	<b>GS-EFR W</b>	White RAL 9016	350100000E05502
<b>GS-EFR Br</b>	Brown RAL 8014	350100000D05501	<b>GS-EFR Br</b>	Brown RAL 8014	350100000D05502
<b>GS-EFR S</b>	Black RAL 9005	350100000G05501	<b>GS-EFR S</b>	Black RAL 9005	350100000G05502
<b>GS-EFR ER</b>	Stainless steel satin	350100000Q05511	<b>GS-EFR ER</b>	Stainless steel satin	350100000Q05512

#### Note!:

The use of an interrupt button for releasing the hold-open device is recommended.

When using in schools, caserns and stadiums as well as in areas with a high potential of vandalism, we recommend the use of electromagnetic door retainers



Mounting closing sequence selector SR



## SR

### Closing sequence selector on pull side

for ECO **Newton TS-61, TS-51, TS-41\*, TS-31\*** and **Multi-Genius** (surface mounted)

The closing sequence selector ensures that the door leaves are closing in the correct order. E.g.: the passive leaf first, active leaf last.

When opening the passive leaf, sliding shoes inside the active-leaf slide rail make sure that the active leaf stops as soon as the passive leaf opens. Mechanically independent from the hydraulic system of the door closer.

Delivery includes the respective cover profile and the lever arm B for TS-61 / 51.

Mounting only on pull side possible. The closing sequence selector is tested acc. to **EN 1158**.

### Closing sequence selector on pull side

Hinge gap standard 1335 - 2500 mm

DIN left	Colour	Article number	DIN right	Colour	Article number
SR Si	Silver RAL 9006	350100000AK( )511	SR Si	Silver RAL 9006	350100000AK( )512
SR W	White RAL 9016	350100000EK( )511	SR W	White RAL 9016	350100000EK( )512
SR Br	Brown RAL 8014	350100000DK( )511	SR Br	Brown RAL 8014	350100000DK( )512
SR S	Black RAL 9005	350100000GK( )511	SR S	Black RAL 9005	350100000GK( )512
SR ER	Stainless steel satin	350100000QK( )511	SR ER	Stainless steel satin	350100000QK( )512

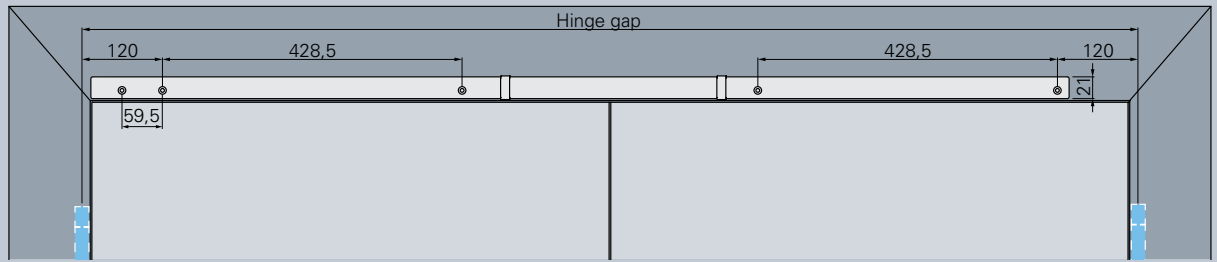
### Closing sequence selector on pull side

Hinge gap special length 2500 - 2800 mm

DIN left	Colour	Article number	DIN right	Colour	Article number
SR Si	Silver RAL 9006	350100000AK( )521	SR Si	Silver RAL 9006	350100000AK( )522
SR W	White RAL 9016	350100000EK( )521	SR W	White RAL 9016	350100000EK( )522
SR Br	Brown RAL 8014	350100000DK( )521	SR Br	Brown RAL 8014	350100000DK( )522
SR S	Black RAL 9005	350100000GK( )521	SR S	Black RAL 9005	350100000GK( )522
SR ER	Stainless steel satin	350100000QK( )521	SR ER	Stainless steel satin	350100000QK( )522

\*When using with ECO Newton TS-41 and TS-31, the correct arm has to be ordered. Suitable arms on page 163.





Mounting closing sequence selector SR-BG, illustration DIN left active leaf, DIN right laterally reversed.



### SR-BG

#### Closing sequence selector push side

for ECO **Newton TS-61, TS-51** and **TS-41\*** and **Multi-Genius** (surface mounted).

The closing sequence selector ensures that the door leaves are closing in the correct order. E.g.: the passive leaf first, active leaf last. When opening the passive leaf, sliding shoes inside the active-leaf slide rail make sure that the active leaf stops as soon as the passive leaf opens. Mechanically independent from the hydraulic system of the door closer.

When using the closing sequence selector SR-BG, please take into consideration the door width and the respective cover profile.

When ordering, please specify active leaf DIN left or DIN right. Delivery includes the lever arm B for TS-61 / 51.

Mounting only on push side possible. The closing sequence selector is tested acc. to **EN 1158**.

#### Closing sequence selector on push side

Hinge gap 1315 - 1817 mm / Profile UA 21 x 502 mm

DIN left	Colour	Article number	DIN right	Colour	Article number
<b>SR-BG Si</b>	Silver RAL 9006	350100000AK( )401	<b>SR-BG Si</b>	Silver RAL 9006	350100000AK( )402
<b>SR-BG W</b>	White RAL 9016	350100000EK( )401	<b>SR-BG W</b>	White RAL 9016	350100000EK( )402
<b>SR-BG Br</b>	Brown RAL 8014	350100000DK( )401	<b>SR-BG Br</b>	Brown RAL 8014	350100000DK( )402
<b>SR-BG S</b>	Black RAL 9005	350100000GK( )401	<b>SR-BG S</b>	Black RAL 9005	350100000GK( )402
<b>SR-BG ER</b>	Stainless steel satin	350100000QK( )401	<b>SR-BG ER</b>	Stainless steel satin	350100000QK9402

#### Closing sequence selector on push side

Hinge gap 1817 - 2821 mm / Profile UA 21 x 1506 mm

DIN left	Colour	Article number	DIN right	Colour	Article number
<b>SR-BG Si</b>	Silver RAL 9006	350100000AK( )411	<b>SR-BG Si</b>	Silver RAL 9006	350100000AK( )412
<b>SR-BG W</b>	White RAL 9016	350100000EK( )411	<b>SR-BG W</b>	White RAL 9016	350100000EK( )412
<b>SR-BG Br</b>	Brown RAL 8014	350100000DK( )411	<b>SR-BG Br</b>	Brown RAL 8014	350100000DK( )412
<b>SR-BG S</b>	Black RAL 9005	350100000GK( )411	<b>SR-BG S</b>	Black RAL 9005	350100000GK( )412
<b>SR-BG ER</b>	Stainless steel satin	350100000QK( )411	<b>SR-BG ER</b>	Stainless steel satin	350100000QK9412

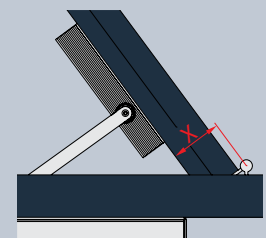
#### Note!

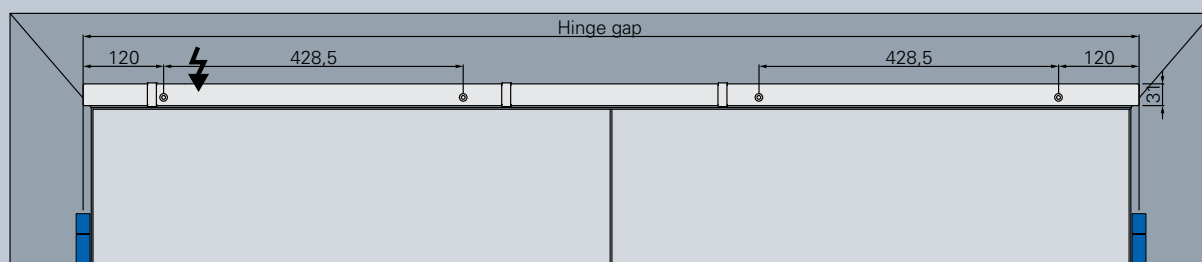
**For special dimensions (door leaf thickness, notches) please contact our technical support.**

The maximum opening angle of the **passive leaf** is 105° with a door width of x = 92 mm and a maximum of 115° with a door width of x = 55 mm.

The opening angle of the **active leaf** is 120° depending on the construction of the door and the hinge.

TS-61/51: x = 55 – 92 mm  
TS-41: x = 60 – 92 mm





Mounting closing sequence selector SR-EF-1G



### SR-EF-1G

#### Closing sequence selector with one electromagnetic hold-open in the active leaf

for ECO **Newton TS-61, TS-51, TS-41\*, TS-31\*** and **Multi-Genius** (surface mounted).

Hold-open angle adjustable from approx. 70° to 130°. No hold-open function in the passive leaf. Input power 24 V DC, maximum 1 W power requirement. Power requirement only when door leaves are in hold-open position.

The closing sequence selector ensures, that the door leaves are closing in the correct order. E.g.: the passive leaf first, active leaf last.

Only the active leaf can be hold open electro-magnetically.

Delivery includes the respective cover profile and the lever arm B for TS-61 / 51.

Mounting only on pull side possible. The closing sequence selector is tested acc. to **EN 1155** and **EN 1158** and approved by DIBt.

#### Closing sequence selector-EF-1G

Hinge gap standard 1335 - 2500 mm

DIN left	Colour	Article number	DIN right	Colour	Article number
<b>SR-EF-1G Si</b>	Silver RAL 9006	350100000AK( )511	<b>SR-EF-1G Si</b>	Silver RAL 9006	350100000AK( )512
<b>SR-EF-1G W</b>	White RAL 9016	350100000EK( )511	<b>SR-EF-1G W</b>	White RAL 9016	350100000EK( )512
<b>SR-EF-1G Br</b>	Brown RAL 8014	350100000DK( )511	<b>SR-EF-1G Br</b>	Brown RAL 8014	350100000DK( )512
<b>SR-EF-1G S</b>	Black RAL 9005	350100000GK( )511	<b>SR-EF-1G S</b>	Black RAL 9005	350100000GK( )512
<b>SR-EF-1G ER</b>	Stainless steel satin	350100000QK( )511	<b>SR-EF-1G ER</b>	Stainless steel satin	350100000QK( )512

#### Closing sequence selector-EF-1G

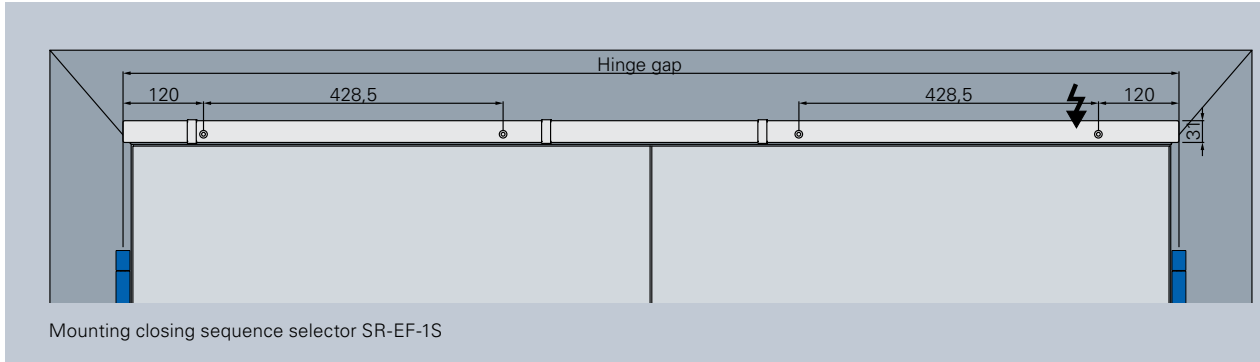
Hinge gap special length 2500 - 2800 mm

DIN left	Colour	Article number	DIN right	Colour	Article number
<b>SR-EF-1G Si</b>	Silver RAL 9006	350100000AK( )521	<b>SR-EF-1G Si</b>	Silver RAL 9006	350100000AK( )522
<b>SR-EF-1G W</b>	White RAL 9016	350100000EK( )521	<b>SR-EF-1G W</b>	White RAL 9016	350100000EK( )522
<b>SR-EF-1G Br</b>	Brown RAL 8014	350100000DK( )521	<b>SR-EF-1G Br</b>	Brown RAL 8014	350100000DK( )522
<b>SR-EF-1G S</b>	Black RAL 9005	350100000GK( )521	<b>SR-EF-1G S</b>	Black RAL 9005	350100000GK( )522
<b>SR-EF-1G ER</b>	Stainless steel satin	350100000QK( )521	<b>SR-EF-1G ER</b>	Stainless steel satin	350100000QK( )522

#### Note!

The use of an interrupt button for releasing the hold-open device is recommended.

When using in schools, caserns and stadiums as well as in areas with a high potential of vandalism, we recommend the use of eletromagnetic door retainers



**SR-EF-1S**

**Closing sequence selector with one electromagnetic hold-open in the passive leaf**  
for ECO **Newton TS-61, TS-51, TS-41\*, TS-31\*** and **Multi-Genius** (surface mounted).

Hold-open angle adjustable from approx. 70° to 130°. Input power 24 V DC, maximum 1W.  
Power requirement only when door leaves are in hold-open position.

The closing sequence selector ensures, that the door leaves are closing in the correct order. E.g.: the passive leaf first, active leaf last.

When opening both door leaves, the passive leaf is hold open via a magnet. The active leaf also stays open since it is controlled by the closing sequence. An independent hold-open of the active leaf is not possible.

Delivery includes the respective cover profile and the lever arm B for TS-61 / 51.  
Mounting only on pull side possible. The closing sequence selector is tested acc. to **EN 1155** and **EN 1158** and approved by DIBt.

**Closing sequence selector-EF-1S**  
**Hinge gap standard 1335 - 2500 mm**

DIN left	Colour	Article number	DIN right	Colour	Article number
SR-EF-1S Si	Silver RAL 9006	350100000AK( )511	SR-EF-1S Si	Silver RAL 9006	350100000AK( )512
SR-EF-1S W	White RAL 9016	350100000EK( )511	SR-EF-1S W	White RAL 9016	350100000EK( )512
SR-EF-1S Br	Brown RAL 8014	350100000DK( )511	SR-EF-1S Br	Brown RAL 8014	350100000DK( )512
SR-EF-1S S	Black RAL 9005	350100000GK( )511	SR-EF-1S S	Black RAL 9005	350100000GK( )512
SR-EF-1S ER	Stainless steel satin	350100000QK( )511	SR-EF-1S ER	Stainless steel satin	350100000QK( )512

**Closing sequence selector-EF-1S**  
**Hinge gap special length 2500 - 2800 mm**

DIN left	Colour	Article number	DIN right	Colour	Article number
SR-EF-1S Si	Silver RAL 9006	350100000AK( )521	SR-EF-1S Si	Silver RAL 9006	350100000AK( )522
SR-EF-1S W	White RAL 9016	350100000EK( )521	SR-EF-1S W	White RAL 9016	350100000EK( )522
SR-EF-1S Br	Brown RAL 8014	350100000DK( )521	SR-EF-1S Br	Brown RAL 8014	350100000DK( )522
SR-EF-1S S	Black RAL 9005	350100000GK( )521	SR-EF-1S S	Black RAL 9005	350100000GK( )522
SR-EF-1S ER	Stainless steel satin	350100000QK( )521	SR-EF-1S ER	Stainless steel satin	350100000QK( )522

**Note!:**

**The use of an interrupt button for releasing the hold-open device is recommended.**  
**When using in schools, caserns and stadiums as well as in areas with a high potential of vandalism, we recommend the use of eletromagnetic door retainers**



Mounting closing sequence selector SR-EF-2



### SR-EF-2

#### Closing sequence selector with two electromagnetic hold-open in the active and passive leaf

for ECO Newton TS-61, TS-51, TS-41\*, TS-31\* and Multi-Genius (surface mounted).

Hold-open angle adjustable from approx. 70° to 130°. Input power 24 V DC, maximum 1W  
Power requirement only when door leaves are in hold-open position.

The closing sequence selector ensures, that the door leaves are closing in the correct order. E.g.: the passive leaf first, active leaf last.

Electromagnetic hold-open in the active and passive leaf. When opening the active leaf, it is hold open electro-magnetically. In case the passive leaf is also opened, also this one is hold open electro-magnetically. At the same time, the closing sequence is activated and locks the active leaf. The magnet of the active leaf gets disconnected, both door leaves stay open.

Delivery includes the respective cover profile and the lever arm B for TS-61 / 51.

Mounting only on pull side possible. The closing sequence selector is tested acc. to EN 1155 and EN 1158 and approved by DIBt.

#### Closing sequence selector-EF-2

Hinge gap standard 1335 - 2500 mm

DIN left	Colour	Article number	DIN right	Colour	Article number
SR-EF-2 Si	Silver RAL 9006	350100000AK( )511	SR-EF-2 Si	Silver RAL 9006	350100000AK( )512
SR-EF-2 W	White RAL 9016	350100000EK( )511	SR-EF-2 W	White RAL 9016	350100000EK( )512
SR-EF-2 Br	Brown RAL 8014	350100000DK( )511	SR-EF-2 Br	Brown RAL 8014	350100000DK( )512
SR-EF-2 S	Black RAL 9005	350100000GK( )511	SR-EF-2 S	Black RAL 9005	350100000GK( )512
SR-EF-2 ER	Stainless steel satin	350100000QK( )511	SR-EF-2 ER	Stainless steel satin	350100000QK( )512

#### Closing sequence selector-EF-2

Hinge gap special length 2500 - 2800 mm

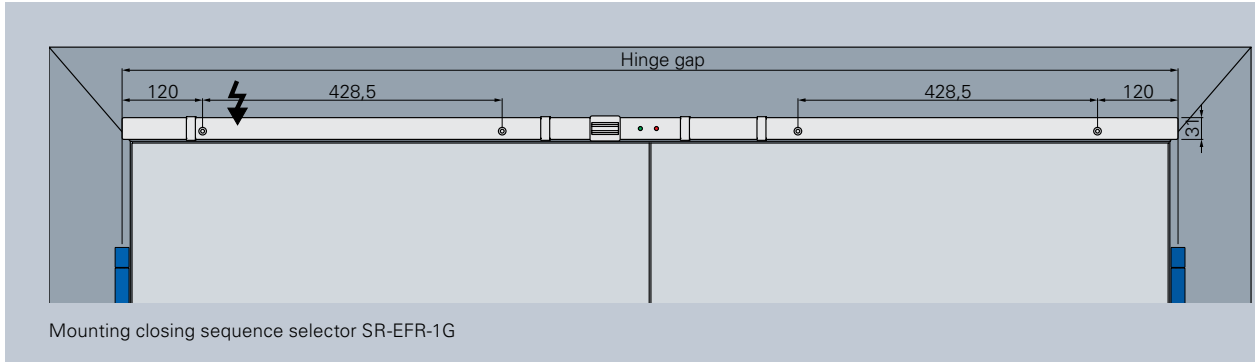
DIN left	Colour	Article number	DIN right	Colour	Article number
SR-EF-2 Si	Silver RAL 9006	350100000AK( )521	SR-EF-2 Si	Silver RAL 9006	350100000AK( )522
SR-EF-2 W	White RAL 9016	350100000EK( )521	SR-EF-2 W	White RAL 9016	350100000EK( )522
SR-EF-2 Br	Brown RAL 8014	350100000DK( )521	SR-EF-2 Br	Brown RAL 8014	350100000DK( )522
SR-EF-2 S	Black RAL 9005	350100000GK( )521	SR-EF-2 S	Black RAL 9005	350100000GK( )522
SR-EF-2 ER	Stainless steel satin	350100000QK( )521	SR-EF-2 ER	Stainless steel satin	350100000QK( )522

#### Note!

The use of an interrupt button for releasing the hold-open device is recommended.

When using in schools, caserns and stadiums as well as in areas with a high potential of vandalism, we recommend the use of eletromagnetic door retainers

\*When using with ECO Newton TS-41 and TS-31, the correct arm has to be ordered. Suitable arms on page 163.



### SR-EFR-1G

**Closing sequence selector with one electromagnetic hold-open in the active leaf as well as an integrated smoke detector** for ECO Newton TS-61, TS-51, TS-41\*, TS-31\* and Multi-Genius (surface mounted).

Hold-open angle adjustable from approx. 70° to 130°. Input power 24 V DC, max. 2 W. Power requirement only when door leaves are in hold-open position. When door is closed, power requirement 1 W. Power supply 220 V AC.

The closing sequence selector ensures, that the door leaves are closing in the correct order. E.g.: the passive leaf first, active leaf last.

Only the active leaf can be hold open electro-magnetically.

Delivery includes the respective cover profile and the lever arm B for TS-61 / 51.

Mounting only on pull side possible. The closing sequence selector is tested acc. to EN 1155 and EN 1158 and approved by DIBt.

#### Closing sequence selector-EFR-1G

Hinge gap standard 1535 - 2500 mm

DIN left	Colour	Article number	DIN right	Colour	Article number
SR-EFR-1G Si	Silver RAL 9006	350100000AL( )511	SR-EFR-1G Si	Silver RAL 9006	350100000AL( )512
SR-EFR-1G W	White RAL 9016	350100000EL( )511	SR-EFR-1G W	White RAL 9016	350100000EL( )512
SR-EFR-1G Br	Brown RAL 8014	350100000DL( )511	SR-EFR-1G Br	Brown RAL 8014	350100000DL( )512
SR-EFR-1G S	Black RAL 9005	350100000GL( )511	SR-EFR-1G S	Black RAL 9005	350100000GL( )512
SR-EFR-1G ER	Stainless steel satin	350100001QL( )511	SR-EFR-1G ER	Stainless steel satin	350100001QL( )512

#### Closing sequence selector-EFR-1G

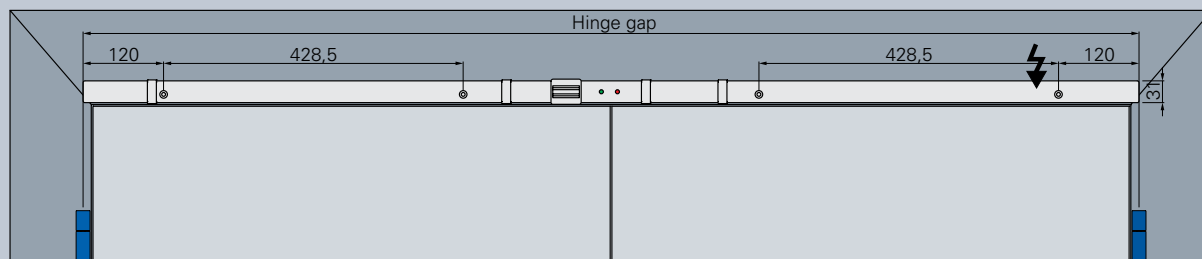
Hinge gap special length 2500 - 2800 mm

DIN left	Colour	Article number	DIN right	Colour	Article number
SR-EFR-1G Si	Silver RAL 9006	350100000AL( )521	SR-EFR-1G Si	Silver RAL 9006	350100000AL( )522
SR-EFR-1G W	White RAL 9016	350100000EL( )521	SR-EFR-1G W	White RAL 9016	350100000EL( )522
SR-EFR-1G Br	Brown RAL 8014	350100000DL( )521	SR-EFR-1G Br	Brown RAL 8014	350100000DL( )522
SR-EFR-1G S	Black RAL 9005	350100000GL( )521	SR-EFR-1G S	Black RAL 9005	350100000GL( )522
SR-EFR-1G ER	Stainless steel satin	350100001QL( )521	SR-EFR-1G ER	Stainless steel satin	350100001QL( )522

#### Note!

The use of an interrupt button for releasing the hold-open device is recommended.

When using in schools, caserns and stadiums as well as in areas with a high potential of vandalism, we recommend the use of eletromagnetic door retainers



Mounting closing sequence selector SR-EFR-1S



### SR-EFR-1S

**Closing sequence selector with one electromagnetic hold-open in the passive leaf as well as an integrated smoke detector** for ECO Newton TS-61, TS-51, TS-41\*, TS-31\* and Multi-Genius (surface mounted).

Hold-open angle adjustable from approx. 70° to 130°. Input power 24 V DC, max. 2 W. Power requirement only when door leaves are in hold-open position. When door is closed, power requirement 1 W. Power supply 220 V AC.

The closing sequence selector ensures, that the door leaves are closing in the correct order. E.g.: the passive leaf first, active leaf last.

When opening both door leaves, the passive leaf is hold open via a magnet. The active leaf also stays open since it is controlled by the closing sequence. An independent hold-open of the active leaf is not possible.

Delivery includes the respective cover profile and the lever arm B for TS-61 / 51.

Mounting only on pull side possible. The closing sequence selector is tested acc. to EN 1155 and EN 1158 and approved by DIBt.

#### Closing sequence selector-EFR-1S

Hinge gap standard 1535 - 2500 mm

DIN left	Colour	Article number	DIN right	Colour	Article number
SR-EFR-1S Si	Silver RAL 9006	350100000AL( )511	SR-EFR-1S Si	Silver RAL 9006	350100000AL( )512
SR-EFR-1S W	White RAL 9016	350100000EL( )511	SR-EFR-1S W	White RAL 9016	350100000EL( )512
SR-EFR-1S Br	Brown RAL 8014	350100000DL( )511	SR-EFR-1S Br	Brown RAL 8014	350100000DL( )512
SR-EFR-1S S	Black RAL 9005	350100000GL( )511	SR-EFR-1S S	Black RAL 9005	350100000GL( )512
SR-EFR-1S ER	Stainless steel satin	350100001QL( )511	SR-EFR-1S ER	Stainless steel satin	350100001QL( )512

#### Closing sequence selector-EFR-1S

Hinge gap special length 2500 - 2800 mm

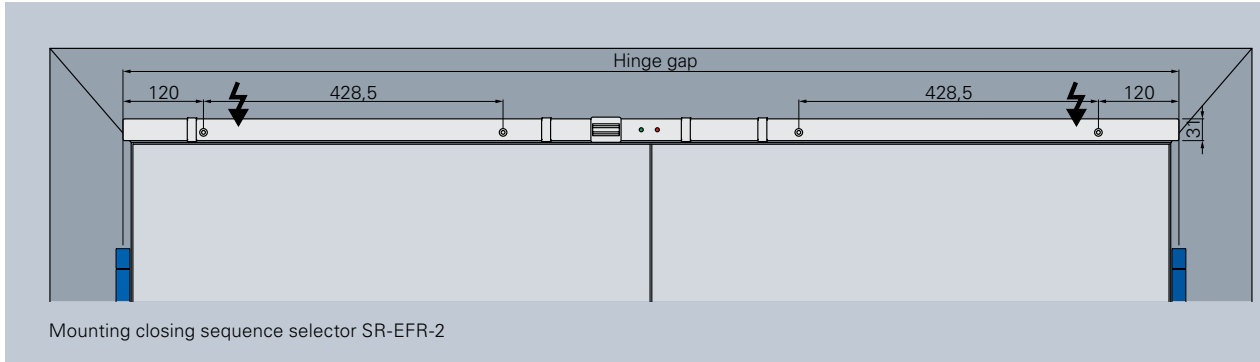
DIN left	Colour	Article number	DIN right	Colour	Article number
SR-EFR-1S Si	Silver RAL 9006	350100000AL( )521	SR-EFR-1S Si	Silver RAL 9006	350100000AL( )522
SR-EFR-1S W	White RAL 9016	350100000EL( )521	SR-EFR-1S W	White RAL 9016	350100000EL( )522
SR-EFR-1S Br	Brown RAL 8014	350100000DL( )521	SR-EFR-1S Br	Brown RAL 8014	350100000DL( )522
SR-EFR-1S S	Black RAL 9005	350100000GL( )521	SR-EFR-1S S	Black RAL 9005	350100000GL( )522
SR-EFR-1S ER	Stainless steel satin	350100001QL( )521	SR-EFR-1S ER	Stainless steel satin	350100001QL( )522

**Note!**

The use of an interrupt button for releasing the hold-open device is recommended.

When using in schools, caserns and stadiums as well as in areas with a high potential of vandalism, we recommend the use of eletromagnetic door retainers

\*When using with ECO Newton TS-41 and TS-31, the correct arm has to be ordered. Suitable arms on page 163.



### SR-EFR-2

**Closing sequence selector with two electromagnetic hold-open in the active and passive leaf as well as an integrated smoke detector** for ECO **Newton TS-61, TS-51, TS-41\*, TS-31\*** and **Multi-Genius** (surface mounted).

Hold-open angle adjustable from approx. 70° to 130°. Input power 24 V DC, max. 2 W. Power requirement only when door leaves are in hold-open position. When door is closed, power requirement 1 W. Power supply 220 V AC.

The closing sequence selector ensures that the door leaves are closing in the correct order. E.g.: the passive leaf first, active leaf last.

Electromagnetic hold-open in the active and passive leaf. When opening the active leaf, it is hold open electro-magnetically. In case the passive leaf is also opened, also this one is hold open electro-magnetically. At the same time, the closing sequence is activated and locks the active leaf. The magnet of the active leaf gets disconnected, both door leaves stay open.

Delivery includes the respective cover profile and the lever arm B for TS-61 / 51.

The closing sequence selector is tested acc. to **EN 1155** and **EN 1158** and approved by DIBt.

#### Closing sequence selector-EFR-2

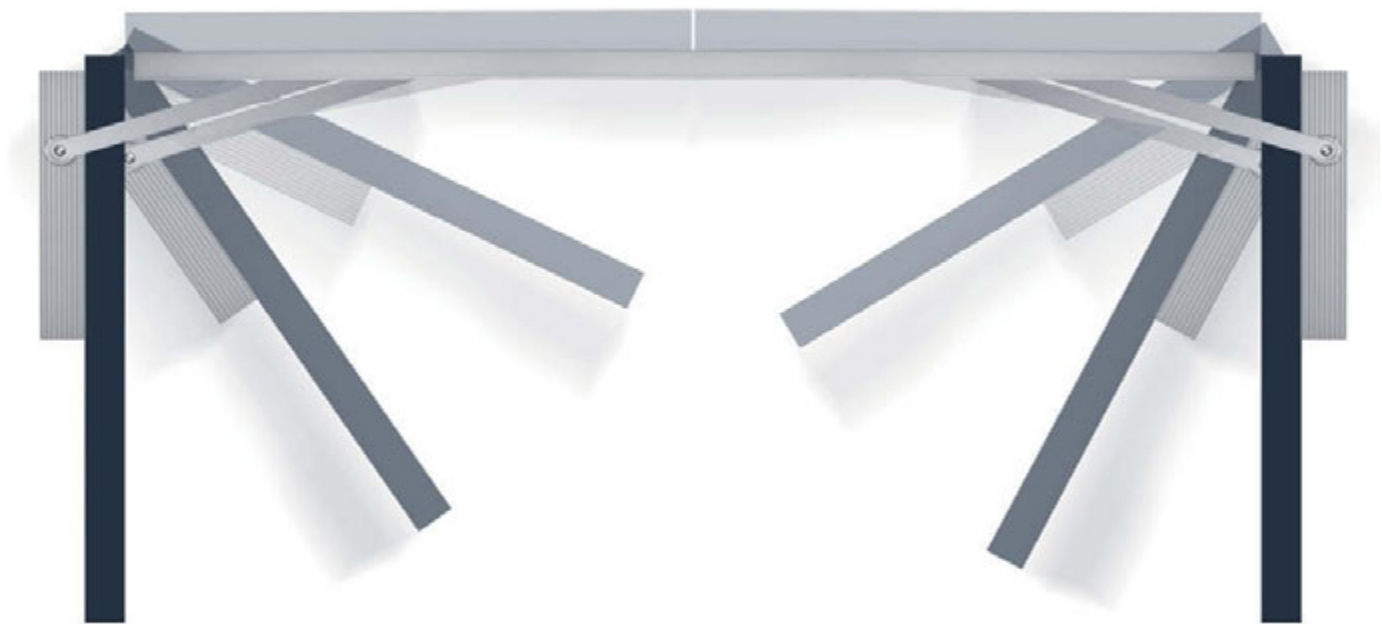
Hinge gap standard 1535 - 2500 mm

DIN left	Colour	Article number	DIN right	Colour	Article number
SR-EFR-2 Si	Silver RAL 9006	351100000AL( )511	SR-EFR-2 Si	Silver RAL 9006	351100000AL( )512
SR-EFR-2 W	White RAL 9016	351100000EL( )511	SR-EFR-2 W	White RAL 9016	351100000EL( )512
SR-EFR-2 Br	Brown RAL 8014	351100000DL( )511	SR-EFR-2 Br	Brown RAL 8014	351100000DL( )512
SR-EFR-2 S	Black RAL 9005	351100000GL( )511	SR-EFR-2 S	Black RAL 9005	351100000GL( )512
SR-EFR-2 ER	Stainless steel satin	351100001QL( )511	SR-EFR-2 ER	Stainless steel satin	351100001QL( )512

#### Closing sequence selector-EFR-2

Hinge gap special length 2500 - 2800 mm

DIN left	Colour	Article number	DIN right	Colour	Article number
SR-EFR-2 Si	Silver RAL 9006	350100000AL( )521	SR-EFR-2 Si	Silver RAL 9006	350100000AL( )522
SR-EFR-2 W	White RAL 9016	350100000EL( )521	SR-EFR-2 W	White RAL 9016	350100000EL( )522
SR-EFR-2 Br	Brown RAL 8014	350100000DL( )521	SR-EFR-2 Br	Brown RAL 8014	350100000DL( )522
SR-EFR-2 S	Black RAL 9005	350100000GL( )521	SR-EFR-2 S	Black RAL 9005	350100000GL( )522
SR-EFR-2 ER	Stainless steel satin	350100001QL( )521	SR-EFR-2 ER	Stainless steel satin	350100001QL( )522



## ECO Newton Highlights in detail.

### Combination talent:

The ECO Newton Vario concept permits the use of all slide rail door closers and can even be combined with different door leaf widths. In this way, optimum value for money can be achieved for each individual door situation.



# ECO Newton<sup>TS-50</sup>

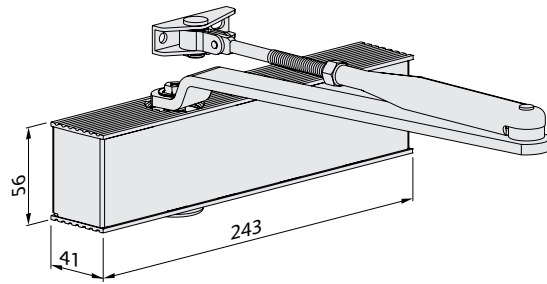
**SWISSDOOR**  
DØRTEKNIK FOR PROFESSIONELLE



**Product characteristics**

Closing force (continuously adjustable)	Size acc. to EN	1 - 5
Door width	acc. to EN $\leq 1.250$ mm	■
Dimensions (incl. mounting plate)	Length in mm Depth in mm Height in mm	243 41 56
Mounting plate acc. to EN 1154 A (supplementary sheet 1)		□
Hinge-side and hinge-opposite side		■
DIN left / right		■
Latching speed (continuously adjustable)		■
Closing speed (continuously adjustable)		■
Back-check (constant)		■
Delayed action		-
Not fire proved (continuously adjustable)		-
Tested acc. to EN	<b>EN 1154 A</b>	
Suitable for fire- and smoke control doors	<b>F</b>	
Certified according to EU-Directive	<b>CE</b>	

- Yes
- No
- Option



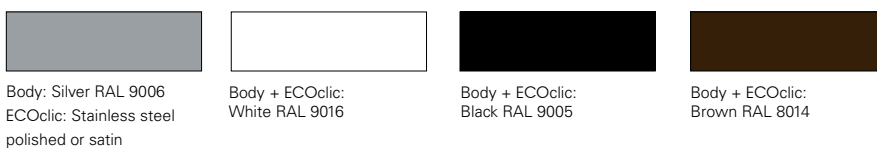
Dimensions: TS-50

**ECO Newton TS-50 ■ Highlights at a glance**

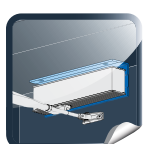


\*optional

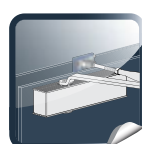
Details regarding the ECO Newton Highlights can be found in the intro of this chapter.



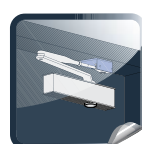
Standard arm is always delivered in the same colour as the ordered door closer body.



Under-lintel angle for door closer  
Page 165



Adaptor profile  
Page 167



Angle bracket for parallel arm mounting  
Page 166

# Order information

## ECO Newton TS-50 ▪ Door closer with standard arm

### Product information

Closing force 1-5, tested acc. to **EN 1154 A** (for door widths up to 1.250 mm) continuously adjustable. Latching speed and closing speed continuously adjustable. Back-check constant. Same version DIN left and DIN right. Mounting height only 41 mm. Weight: 1.280g. Max. door opening angle: 180°

- ECOunity: Standard mounting on hinge side and head mounting on hinge-opposite side
- ECOphysis: Door closer and slide rail build a unit in aluminium and stainless steel
- ECOcllic: The stainless steel cover encloses the aluminium body with the power of spring steel and conceals all of the adjusting elements, thus securing the closer against unauthorized access.
- ECOmount: Optional mounting plate according to **EN 1154**, supplementary sheet 1
- ECOvalve: Simple, high-precision and permanently secure adjustment of all parameters of the closing process with one conventional Allen key.
- ECOcover<sup>2</sup>: Optional stainless steel cover for the ECO Newton door closers
- ECOgreen: The intelligent construction and carefully planned use of materials help considerably to save resources

Pull side: standard mounting on door leaf. Push side: head mounting on door frame

### Article numbers



Door closer with standard arm		Colour		Article number	Door closer without standard arm		Colour		Article number
TS-50	(1-5)	Silver	RAL 9006*	305052F11A00010	TS-50	(1-5)	Silver	RAL 9006*	355052F11A00010
TS-50	(1-5)	White	RAL 9016	305052F11E00010	TS-50	(1-5)	White	RAL 9016	355052F11E00010
TS-50	(1-5)	Brown	RAL 8014	305052F11D00010	TS-50	(1-5)	Brown	RAL 8014	355052F11D00010
TS-50	(1-5)	Black	RAL 9005	305052F11G00010	TS-50	(1-5)	Black	RAL 9005	355052F11G00010

\*Door closer body in silver RAL 9006, ECOcllic in stainless steel satin, optional polished

# ECO PHYSIS



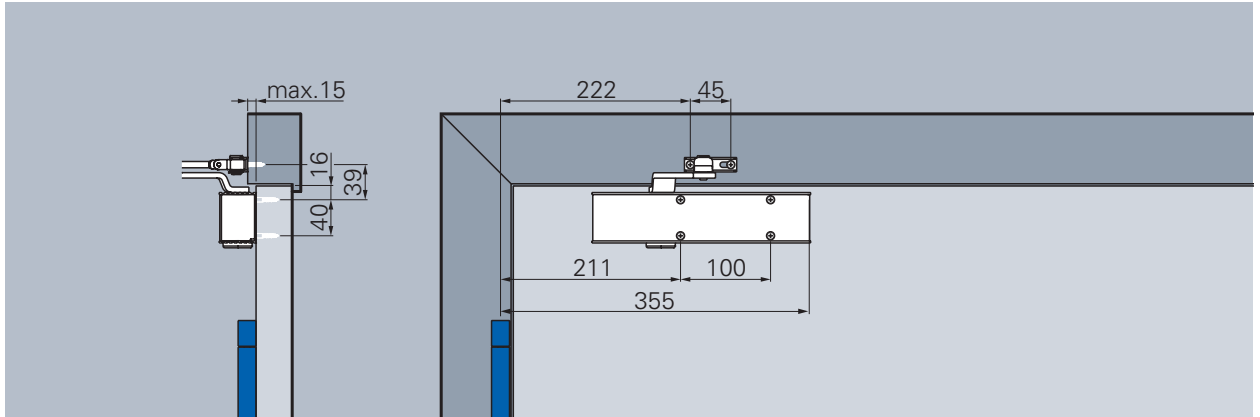
## ECO Newton Highlights in detail.

### **Stainless steel and aluminium:**

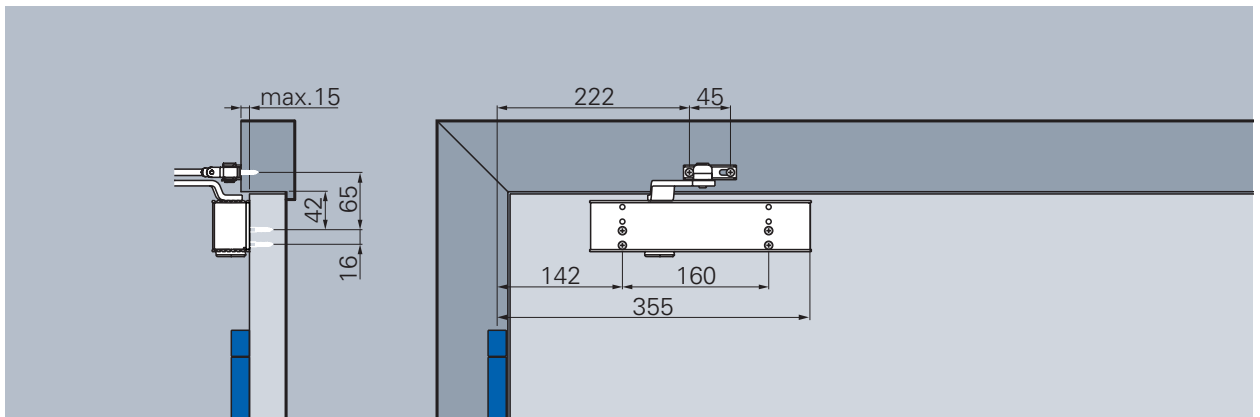
Elegant materials are standard with ECO Newton: the stainless steel cover and aluminium body unit of the new door closer generation are perfectly matched with one another – in an architecturally compatible form language.

# Hinge side

Illustration DIN left-door, DIN right laterally reversed



Standard mounting, hinge side (direct mounting, without mounting plate)



Standard mounting, hinge side (with optional mounting plate with DIN holes)

## Closing speed

Continuously adjustable closing speed from approx. 180° to 0°.

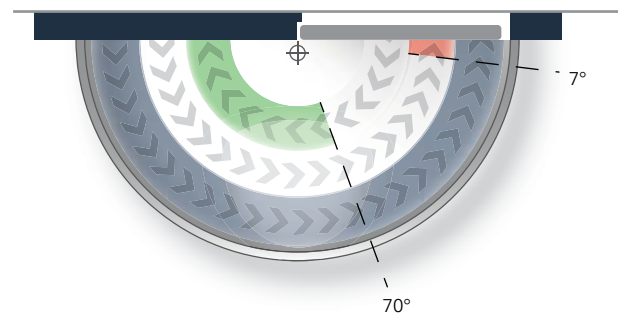
## Latching speed

Increases the closing speed and thus the safe closing of the door, for example to overcome door seals, door locks and high air pressure. Continuously adjustable, works between 7 to 0°

## Back-check

Reduces the opening speed starting at 70° and avoids the slamming of the door. Back-check fixed

Closing force diagram ECO Newton TS-50, hinge side



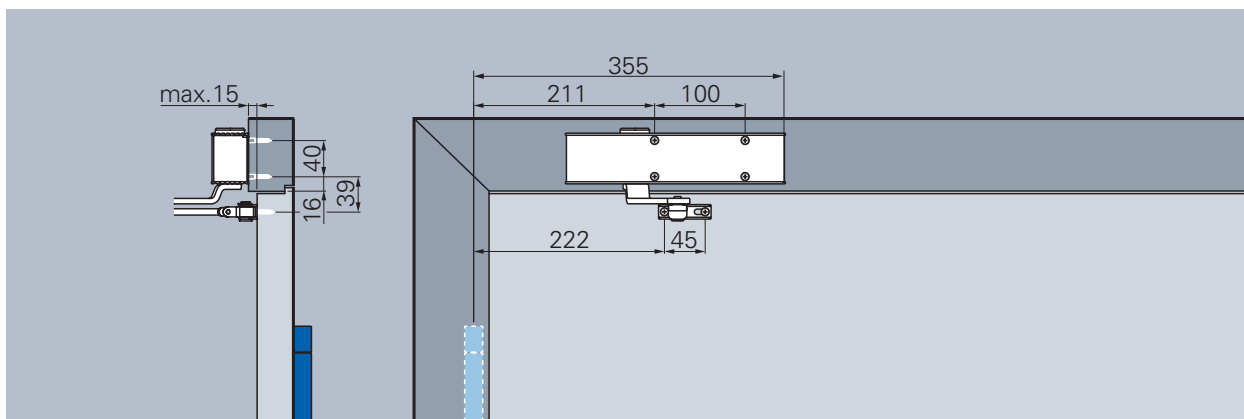
### Closing force:

**Continuously adjustable** min. size 1  
max. size 5

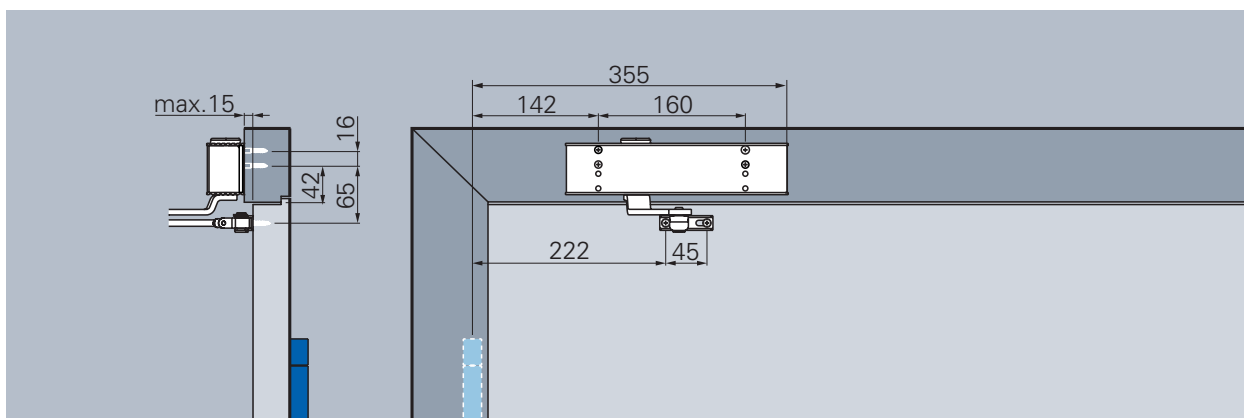
**Default delivery condition:** size 3

# Hinge-opposite side

Illustration DIN right-door, DIN right laterally reversed



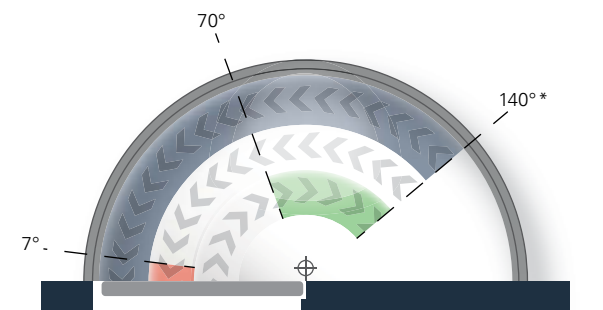
Head mounting, hinge-opposite side (direct mounting, without mounting plate)



Head mounting, hinge-opposite side (with optional mounting plate with DIN holes)

- Closing speed**  
Continuously adjustable closing speed from approx. 170° to 0°.
- Latching speed**  
Increases the closing speed and thus the safe closing of the door, for example to overcome door seals, door locks and high air pressure. Continuously adjustable, works between 7 to 0°
- Back-check**  
Reduces the opening speed starting at 70° and avoids the slamming of the door. Back-check fixed

Closing force diagram ECO Newton TS-50, hinge-opposite side



**Note!:**  
**Back-check out of order for head-mounting / mounting on hinge-opposite side**

\*Varies according to door thickness and type of hinge  
**A door stopper for opening limit is a must!**

# ECO Newton<sup>TS-20</sup>

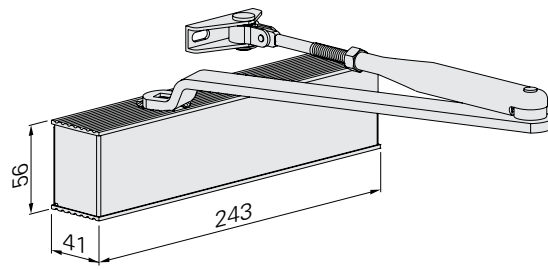
**SWISSDOOR**  
DØRTEKNIK FOR PROFESSIONELLE



**Product characteristics**

Closing force (adjustable)	Size acc. to EN	2/3/5
Door width	acc. to EN $\leq 1.250$ mm	■
Dimensions (incl. mounting plate)	Length in mm Depth in mm Height in mm	243 41 56
Mounting plate acc. to EN 1154 A (supplementary sheet 1)		-
Hinge-side and hinge-opposite side		■
DIN left / right		■
Back-check (constant)		■
Latching speed (continuously adjustable)		■
Closing speed (continuously adjustable)		■
Delayed action (continuously adjustable)		-
Tested acc. to EN	<b>EN 1154 A</b>	
Suitable for fire- and smoke control doors	<b>F</b>	
Certified according to EU-Directive	<b>CE</b>	

- Yes
- No
- ▣ Option



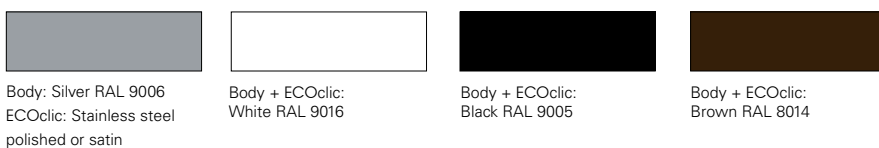
Dimensions: TS-20

**ECO Newton TS-20 ■ Highlights at a glance**



\*optional

Details regarding the ECO Newton Highlights can be found in the intro of this chapter.



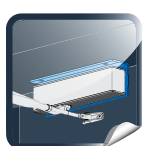
Body: Silver RAL 9006  
ECOcllic: Stainless steel polished or satin

Body + ECOcllic: White RAL 9016

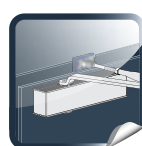
Body + ECOcllic: Black RAL 9005

Body + ECOcllic: Brown RAL 8014

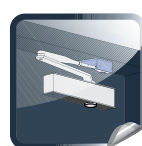
Standard arm is always delivered in the same colour as the ordered door closer body.



Under-lintel angle for door closer  
Page 165



Adaptor profile  
Page 167



Angle bracket for parallel arm mounting  
Page 166



# Order information

## ECO Newton TS-20 ▪ Door closer with standard arm

### Product information

Closing force 2 / 3 / 5, tested acc. to **EN 1154 A** (for door widths up to 1.250 mm) adjustable by moving the door closer. Latching speed and closing speed continuously adjustable. Back-check constant. Same version DIN left and DIN right. Mounting height only 41 mm. Weight: 1.320g. Max. door opening angle: 180°

- ECOunity: Standard mounting on hinge side and head mounting on hinge-opposite side
- ECOphysis: Door closer and slide rail build a unit in aluminium and stainless steel
- ECOcllic: The stainless steel cover encloses the aluminium body with the power of spring steel and conceals all of the adjusting elements, thus securing the closer against unauthorized access.
- ECOvalve: Simple, high-precision and permanently secure adjustment of all parameters of the closing process with one conventional Allen key.
- ECOcover<sup>2</sup>: Optional stainless steel cover for the ECO Newton door closer.
- ECOgreen: The intelligent construction and carefully planned use of materials help considerably to save resources.

Pull side: standard mounting on door leaf. Push side: head mounting on door frame.



The different sizes are reached by moving the door closer on the door leaf. Additional drilling only necessary for size EN 5.

### Article numbers



Door closer with standard arm		Colour		Article number	Door closer without standard arm		Colour		Article number
TS-20	(1-5)	Silver	RAL 9006*	302052F11A71010	TS-20	(1-5)	Silver	RAL 9006*	352052F11A00010
TS-20	(1-5)	White	RAL 9016	302052F11E71010	TS-20	(1-5)	White	RAL 9016	352052F11E00010
TS-20	(1-5)	Brown	RAL 8014	302052F11D71010	TS-20	(1-5)	Brown	RAL 8014	352052F11D00010
TS-20	(1-5)	Black	RAL 9005	302052F11G71010	TS-20	(1-5)	Black	RAL 9005	352052F11G00010

\*Door closer body in silver RAL 9006, ECOcllic stainless steel satin, polished on request



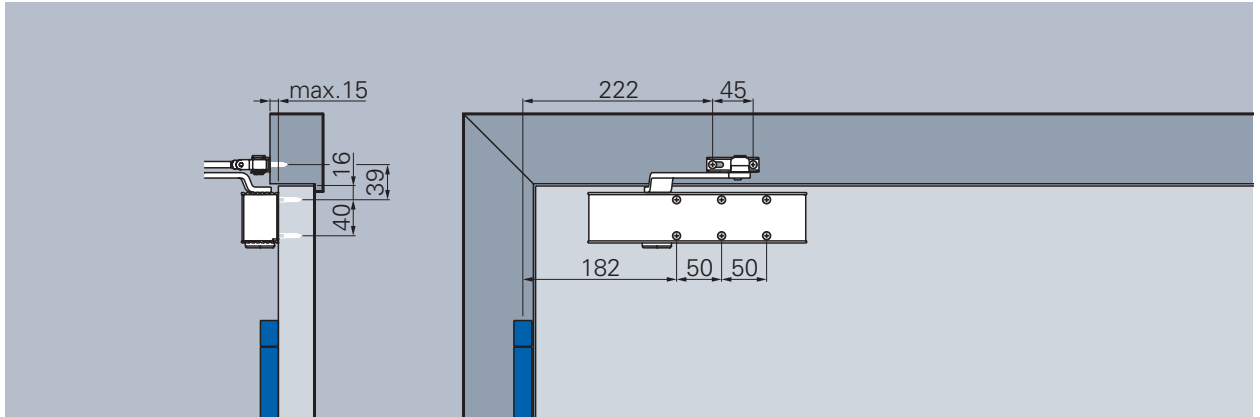
## ECO Newton Highlights in detail.

Intelligent stainless steel cover:

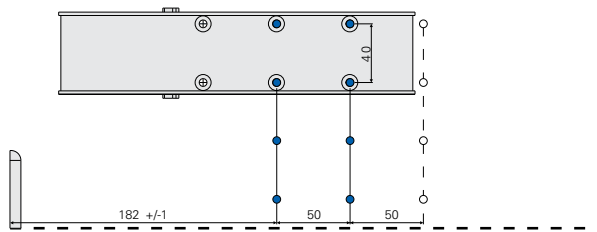
ECOclic envelops the aluminium body unit with the power of spring force. The cover conceals all of the adjusting elements and cannot be removed without tools, thus securing the closer against unauthorized access.

# Hinge side

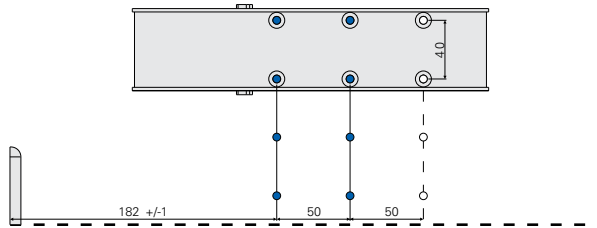
Illustration DIN left-door, DIN right laterally reversed



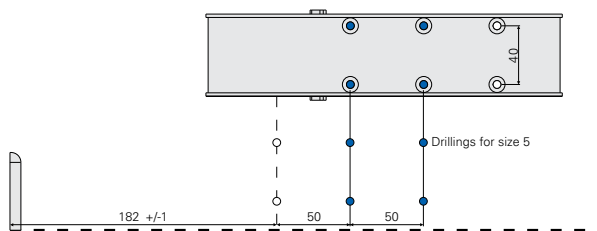
Standard mounting, hinge side (direct mounting, without mounting plate)



**Closing force EN 2**



**Closing force EN 3**

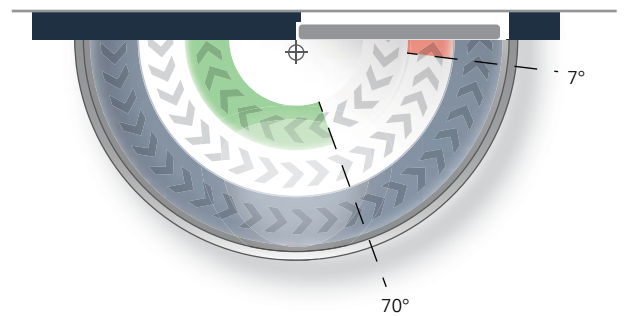


**Closing force EN 5**

## Closing forces

The different sizes are reached by moving the door closer on the door leaf. Additional drilling only necessary for size EN 5.

Closing force diagram ECO Newton TS-20, hinge side



## Closing speed

Continuously adjustable closing speed from approx. 180° to 0°.

## Latching speed

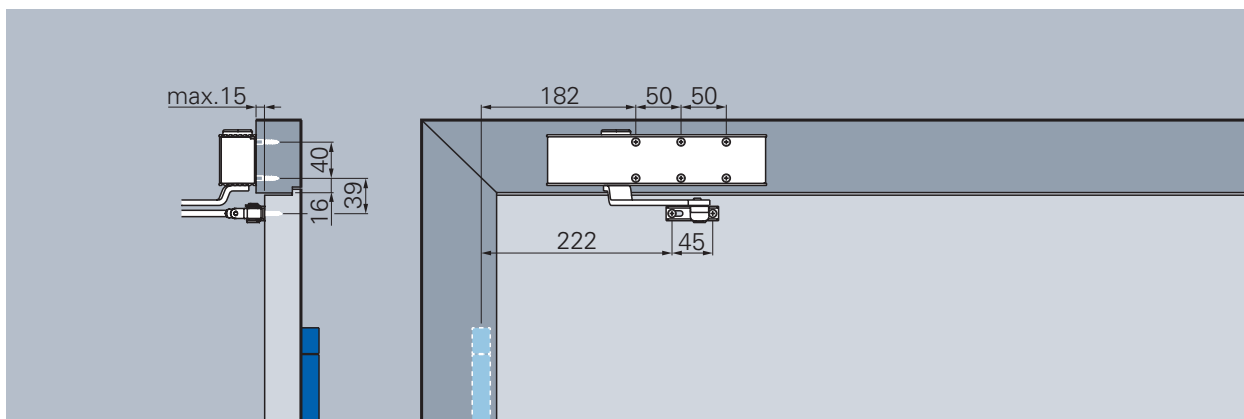
Increases the closing speed and thus the safe closing of the door, for example to overcome door seals, door locks and high air pressure. Continuously adjustable, works between 7 to 0°

## Back-check

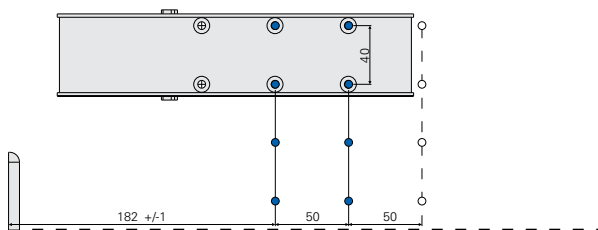
Reduces the opening speed starting at 70° and avoids the slamming of the door. Back-check fixed

# Hinge-opposite side

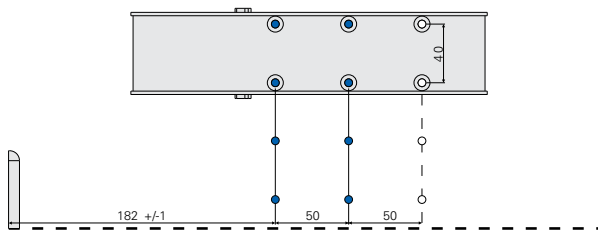
Illustration DIN right-door, DIN right laterally reversed



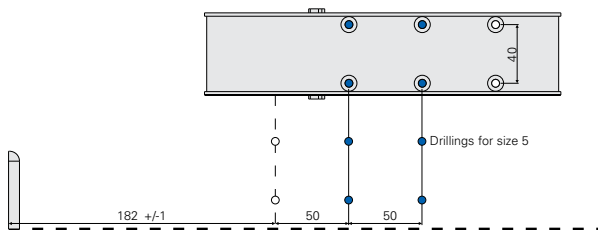
Head mounting, hinge-opposite side (direct mounting, without mounting plate)



**Closing force EN 2**



**Closing force EN 3**

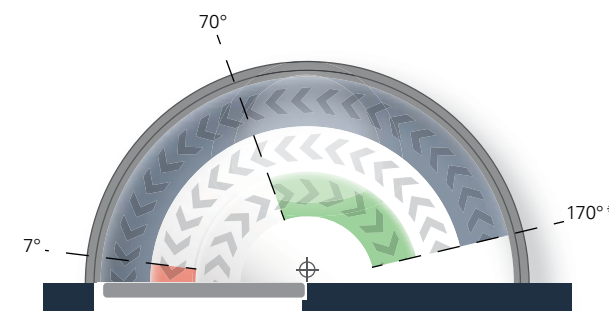


**Closing force EN 5**

### Closing forces

The different sizes are reached by moving the door closer on the door leaf. Additional drilling only necessary for size EN 5.

Closing force diagram ECO Newton TS-20, hinge-opposite side



### Closing speed

Continuously adjustable closing speed from approx. 170°\* to 0°.

### Latching speed

Increases the closing speed and thus the safe closing of the door, for example to overcome door seals, door locks and high air pressure. Continuously adjustable, works between 7 to 0°

### Back-check

Reduces the opening speed starting at 70° and avoids the slamming of the door. Back-check fixed

### Note!:

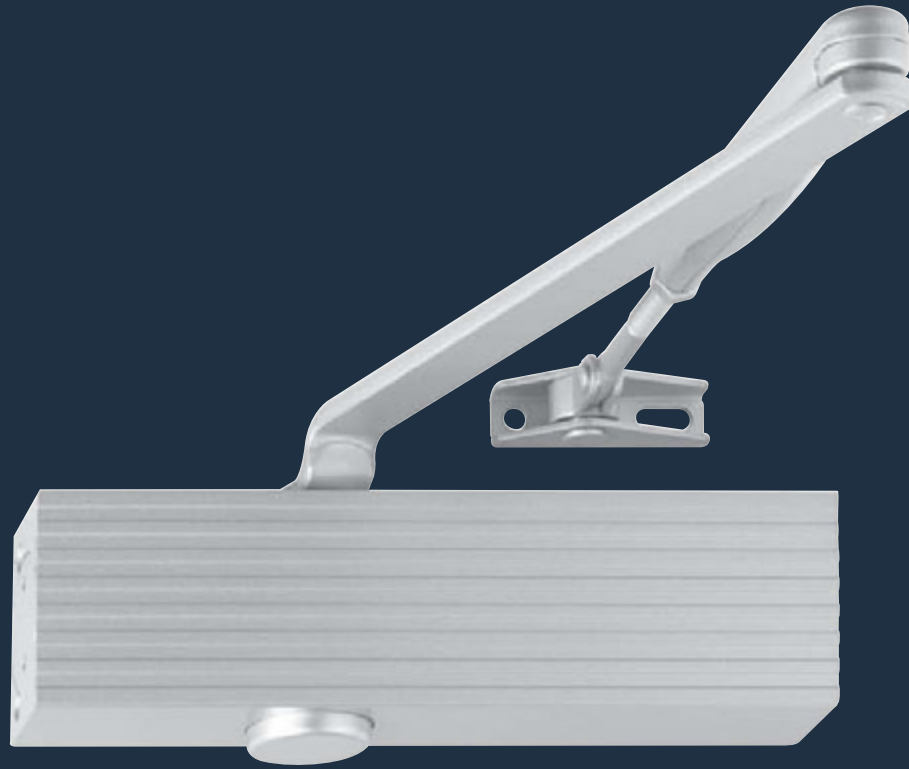
**Back-check out of order for head-mounting / mounting on hinge-opposite side**

\*Varies according to door thickness and type of hinge

**A door stopper for opening limit is a must!**

2

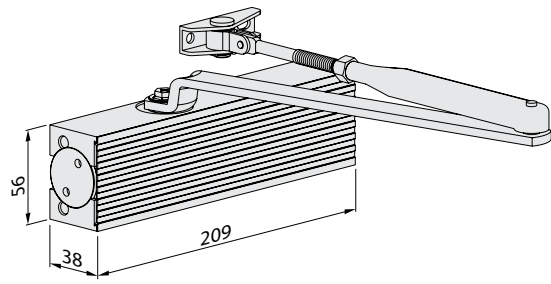
ECO **Newton** TS-16



**Product characteristics**

Closing force (continuously adjustable)	Size acc. to EN	1 – 3 4 – 6
Door width	≤ 1.250 mm	■
Dimensions	Length in mm Depth in mm Height in mm	209 38 56
Mounting plate		-
Hinge-side and hinge-opposite side		■
DIN left / right		■
Latching speed (adjustable from the side)		■
Closing speed (adjustable from the side)		■

■ Yes  
 - No  
 □ Option



Dimensions: TS-16



Two different closing forces are reached by moving the door closer on the door frame. Both areas, size 1-3 or 4-6 are continuously adjustable.



Body: Silver RAL 9006  
ECOcllic: Stainless steel  
polished or satin



Body + ECOcllic:  
White RAL 9016

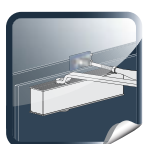


Body + ECOcllic:  
Black RAL 9005

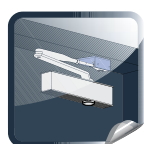


Body + ECOcllic:  
Brown RAL 8014

Standard arm is always delivered in the same colour as the ordered door closer body.



Adaptor profile  
Page 167



Angle bracket for parallel arm  
mounting Page 166

# Order information

## ECO Newton TS-16 ■ Door closer with standard arm

### Product information

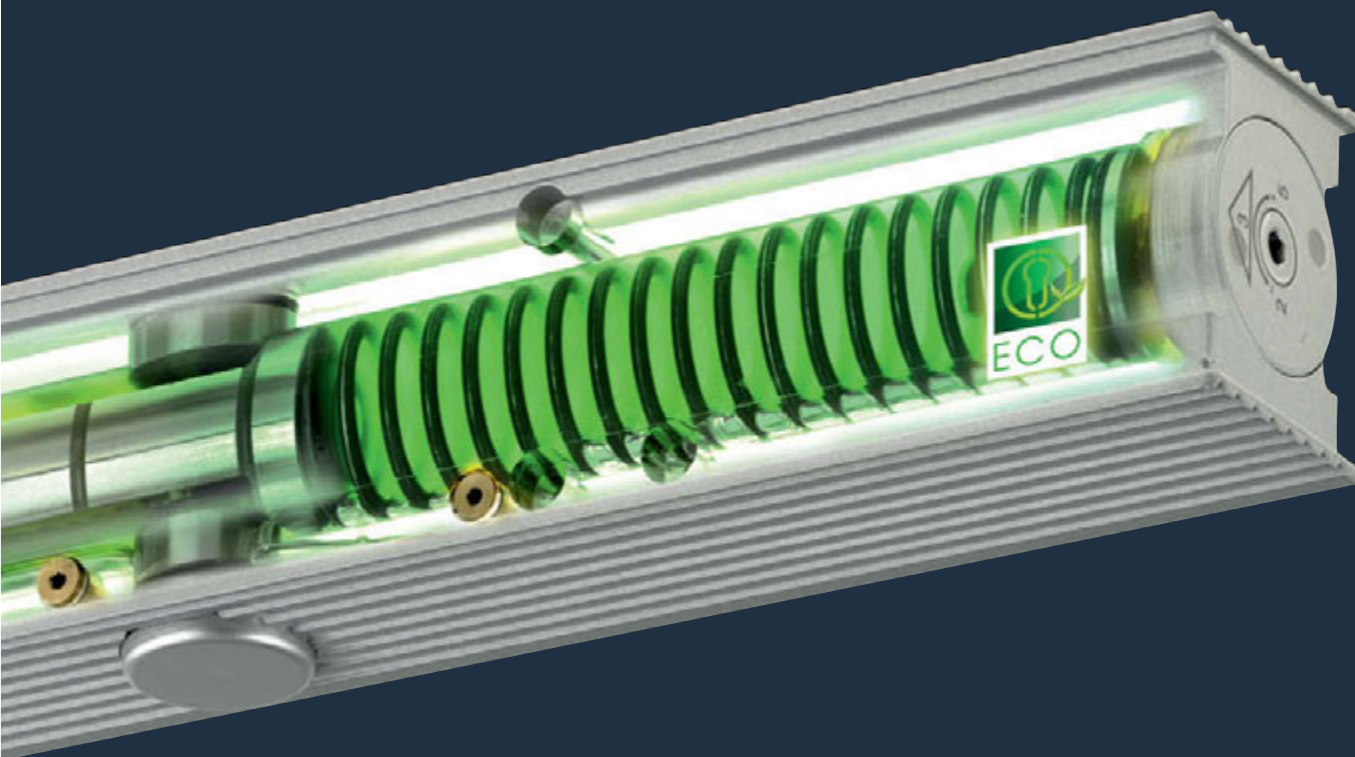
- One door closer for two different closing forces: size 1 - 3 and size 4 - 6 acc. to **EN 1154** (for door widths up to 1.250 mm). Moving the door closer on the door leaf is adjusting the closing forces.
- Latching speed and closing speed continuously adjustable from the side.
- Same version for DIN left / DIN right
- Height only 38 mm
- Max. door opening angle: 180°

### Article numbers



Door closer with standard arm	Colour		Article number	Door closer without standard arm	Colour		Article number
TS-16 (1-3 or 4-6)	Silver	RAL 9006	301652E11A00010	TS-16 (1-3 or 4-6)	Silver	RAL 9006	351652E11A00010
TS-16 (1-3 or 4-6)	White	RAL 9016	301652E11E00010	TS-16 (1-3 or 4-6)	White	RAL 9016	351652E11E00010
TS-16 (1-3 or 4-6)	Brown	RAL 8014	301652E11D00010	TS-16 (1-3 or 4-6)	Brown	RAL 8014	351652E11D00010
TS-16 (1-3 or 4-6)	Black	RAL 9005	301652E11G00010	TS-16 (1-3 or 4-6)	Black	RAL 9005	351652E11G00010

# ECO GREEN



## ECO Newton Highlights in detail.

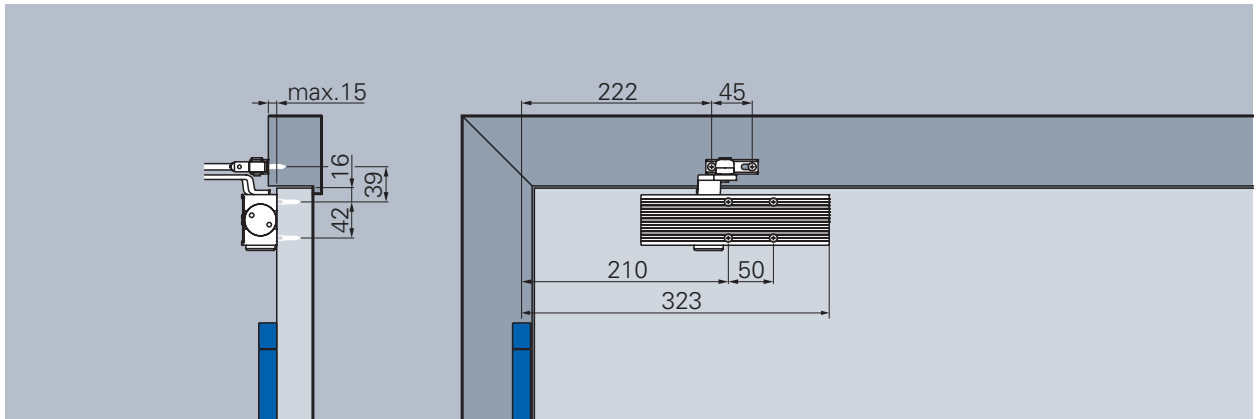
### **Saves resources:**

ECO Newton door closers are up to 1,000 grammes lighter than comparable solutions. Their intelligent construction and carefully planned use of materials help considerably to save resources.

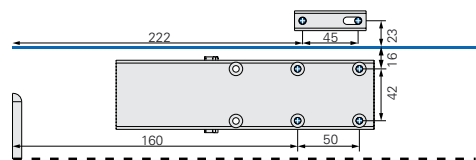


# Hinge side

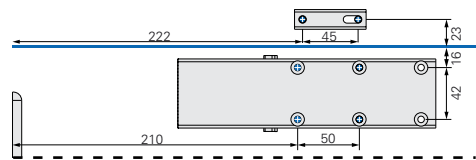
Illustration DIN left-door, DIN right laterally reversed



Standard mounting, hinge side (4 – 6)



**Closing force EN 1-3**



**Closing force EN 4-6**

### Closing forces

The different sizes are reached by moving the door closer on the door leaf. Additional drilling only necessary for size EN 5.

Closing force diagram ECO Newton TS-16, hinge side



### Closing speed

Continuously adjustable closing speed from approx. 180° to 0°.

### Latching speed

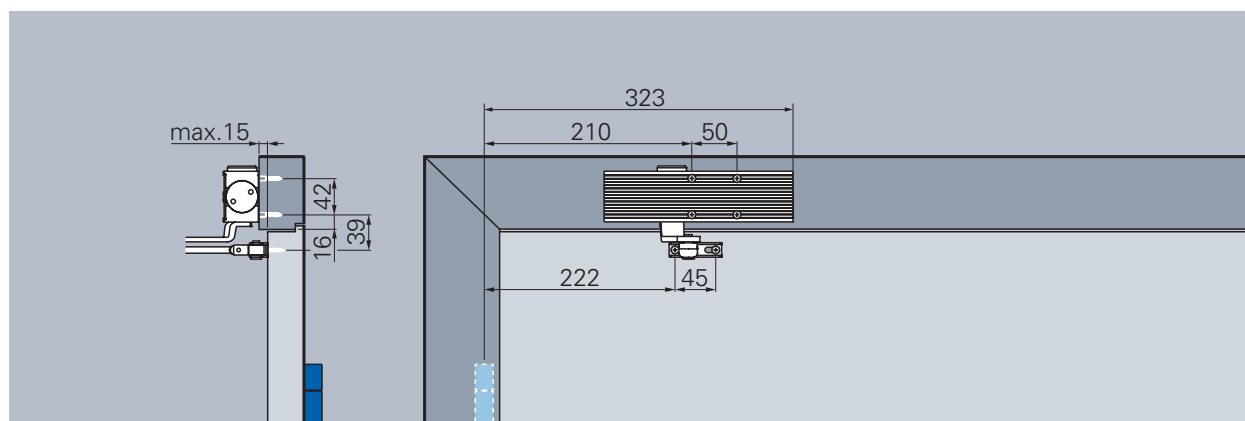
Increases the closing speed and thus the safe closing of the door, for example to overcome door seals, door locks and high air pressure. Continuously adjustable, works between 7 to 0°

### Note:

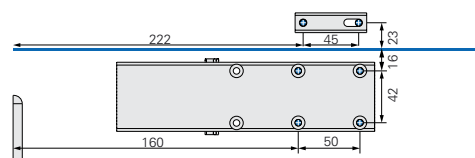
**The use of a mounting plate is recommended for rebated doors.**

# Hinge-opposite side

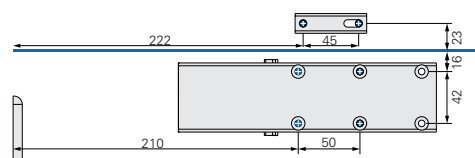
Illustration DIN right-door, DIN right laterally reversed



Head mounting, hinge-opposite side (4 – 6)



**Closing force EN 1-3**



**Closing force EN 4-6**

## Closing forces

The different sizes are reached by moving the door closer on the door leaf. Additional drilling only necessary for size EN 5.

Closing force diagram ECO Newton TS-16, hinge-opposite side



### **Closing speed**

Continuously adjustable closing speed from approx. 170°\* to 0°.

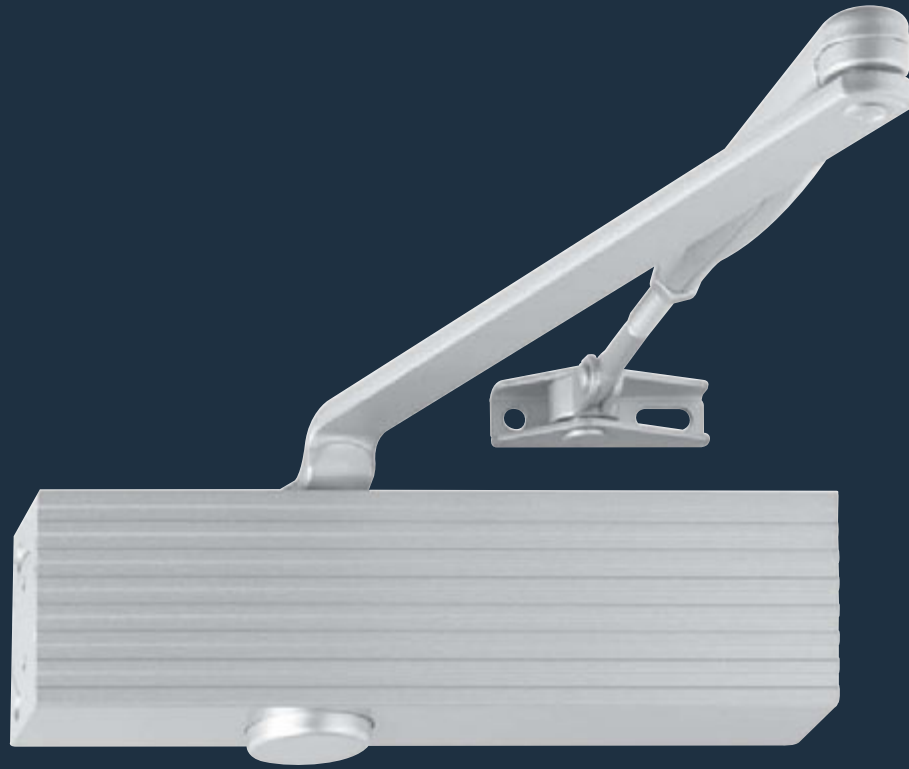
### **Latching speed**

Increases the closing speed and thus the safe closing of the door, for example to overcome door seals, door locks and high air pressure. Continuously adjustable, works between 7 to 0°

\*Varies according to door thickness and type of hinge

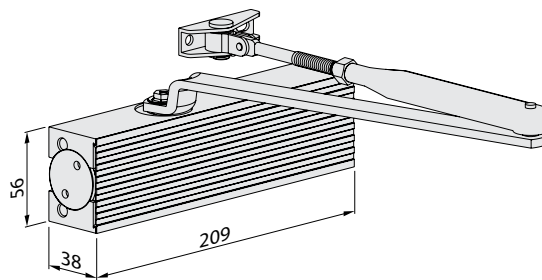
**A door stopper for opening limit is a must!**

ECO **Newton** TS-15/-K

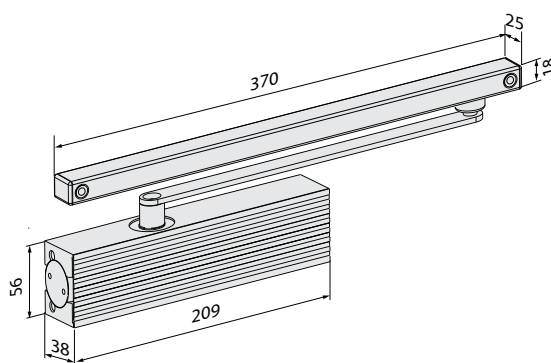


Product characteristics		TS-15	TS-15 K
Closing force (continuously adjustable)	Size acc. to EN	2/3/4/5	1 – 2
Door width	≤ 1.250 mm	■	■
Dimensions	Length in mm	209	209
	Depth in mm	38	38
	Height in mm	56	56
Mounting plate		-	-
Hinge-side and hinge-opposite side		■	■
DIN left / right		■	■
Latching speed (adjustable from the side)		■	■
Closing speed (adjustable from the side)		■	■

■ Yes  
 - No  
 □ Option



Dimensions: TS-15



Dimensions: TS-15 K



The different door closer sizes for the type TS-15 are reached by moving the door closer on the door leaf.



Body: Silver RAL 9006  
ECOcllic: Stainless steel polished or satin



Body + ECOcllic: White RAL 9016



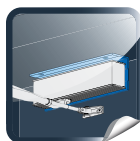
Body + ECOcllic: Black RAL 9005



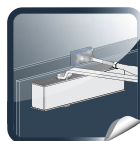
Body + ECOcllic: Brown RAL 8014

Slide rail and standard arm are always delivered in the same colour as the ordered door closer body.

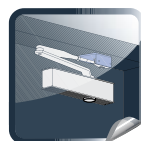
ECO **Newton TS-15** with standard arm:



Under-lintel angle for door closer  
Page 165

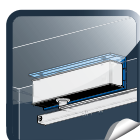


Adaptor profile  
Page 167

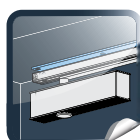


Angle bracket for parallel arm mounting  
Page 166

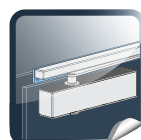
ECO **Newton TS-15** with slide rail K:



Under-lintel angle for door closer  
Page 165



Under-lintel angle for slide rail  
Page 165



Adaptor profile  
Page 167

# Order information

## ECO Newton TS-15 ▪ Door closer with standard arm

### Product information

- Closing force 2 / 3 / 4 / 5 acc. to EN (for door width up to 1.250 mm)  
Adjustable by moving the door closer on the door frame.
- Latching speed and closing speed continuously adjustable from the side
- Same version DIN left and DIN right.
- Height only 38 mm
- Max. door opening angle: 180°

## ECO Newton TS-15 K ▪ Door closer with slide rail

### Product information

- Closing force 1 / 2 acc. to EN (for door width up to 850 mm)
- Latching speed and closing speed continuously adjustable from the side
- Same version DIN left and DIN right.
- Height only 38 mm
- Max. door opening angle: 180°

### Article numbers



Door closer with standard arm	Colour	Article number	Door closer without standard arm	Colour	Article number
TS-15 (2/3/4/5)	Silver RAL 9006	301552E11A71010	TS-15 (2/3/4/5)	Silver RAL 9006	351552E11A00010
TS-15 (2/3/4/5)	White RAL 9016	301552E11E71010	TS-15 (2/3/4/5)	White RAL 9016	351552E11E00010
TS-15 (2/3/4/5)	Brown RAL 8014	301552E11D71010	TS-15 (2/3/4/5)	Brown RAL 8014	351552E11D00010
TS-15 (2/3/4/5)	Black RAL 9005	301552E11G71010	TS-15 (2/3/4/5)	Black RAL 9005	351552E11G00010



Door closer with slide rail K	Colour	Article number
TS-15 K (1/2)	Silver RAL 9006	351552E11A00010 + 350150000A00000
TS-15 K (1/2)	White RAL 9016	351552E11E00010 + 350150000E00000
TS-15 K (1/2)	Brown RAL 8014	351552E11D00010 + 350150000D00000
TS-15 K (1/2)	Black RAL 9005	351552E11G00010 + 350150000G00000

A close-up photograph showing a hand using an Allen key to adjust a door closer mechanism. The mechanism is mounted on a metal surface, and the Allen key is inserted into a small hole. The background is a blurred blue and white, suggesting a clean, industrial environment.

**ECO VALVE**

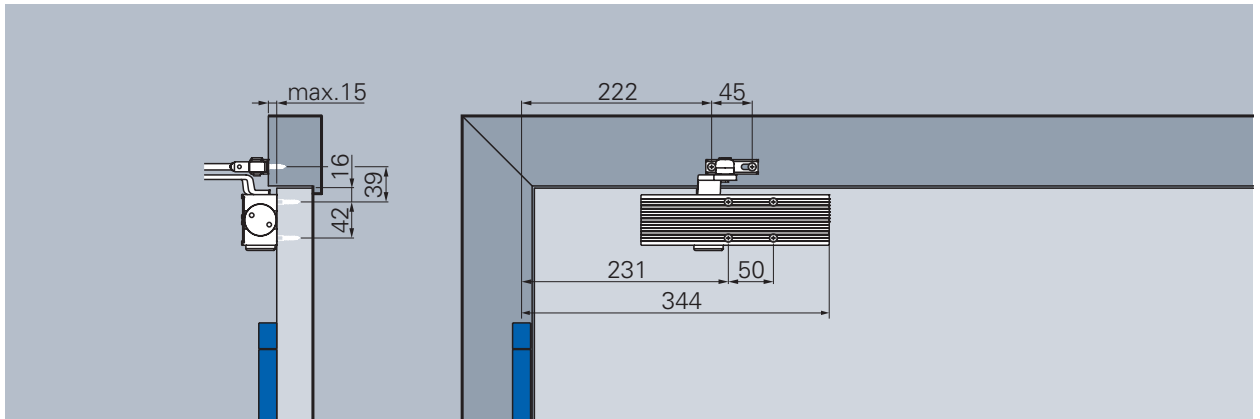
## **ECO Newton Highlights in detail.**

### **New ECOvalve technology:**

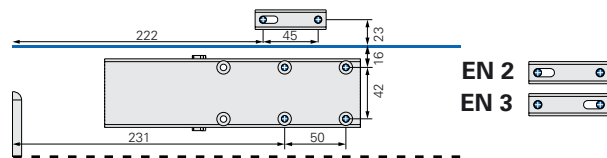
The new ECOvalve technology offers a wide and precisely adjustable setting range. This means the simple, high-precision and permanently secure adjustment of all parameters of the closing process with one conventional Allen key. As with all ECO Newton door closers, the closing speed and latching are regulated via the ECOvalve as a standard feature.

# Hinge side

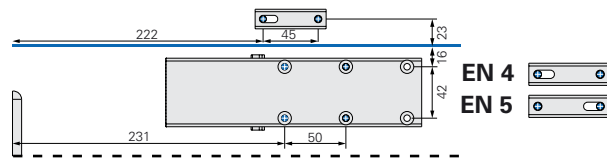
Illustration DIN left-door, DIN right laterally reversed



Standard mounting, hinge side (EN 4 / 5)



**Closing force EN 2/3**



**Closing force EN 4/5**

### Closing forces

The different sizes are reached by moving the door closer on the door leaf and by turning the standard arm reception by 180°

Closing force diagram ECO Newton TS-15, hinge side



### Closing speed

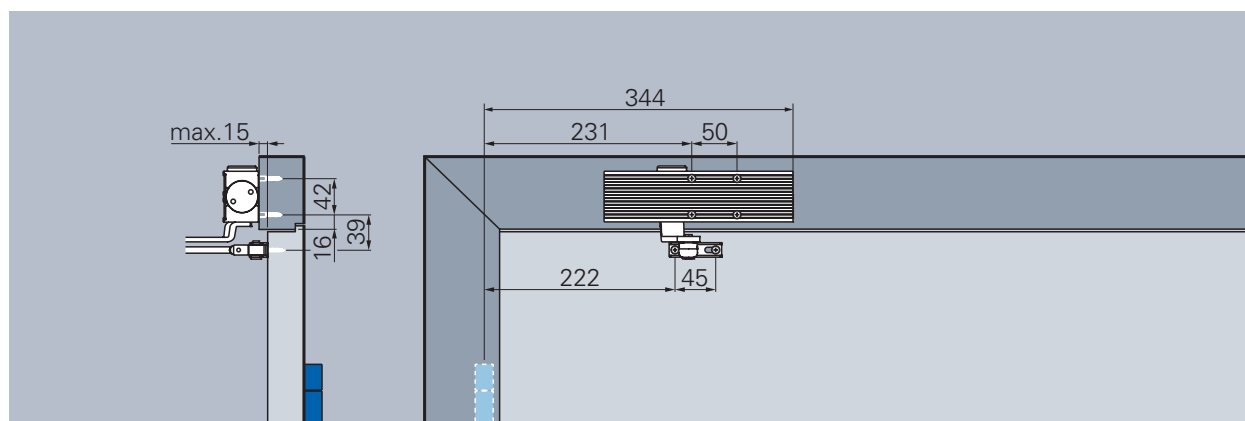
Continuously adjustable closing speed from approx. 180° to 0°.

### Latching speed

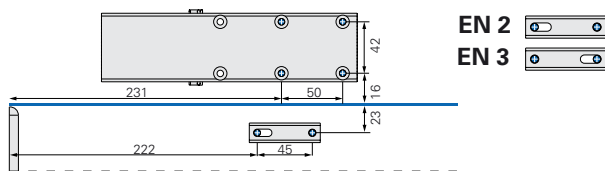
Increases the closing speed and thus the safe closing of the door, for example to overcome door seals, door locks and high air pressure. Continuously adjustable, works between 7 to 0°

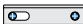
# Hinge-opposite side

Illustration DIN right-door, DIN right laterally reversed

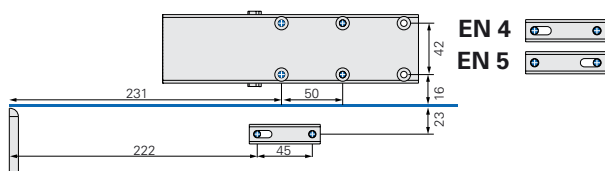


Head mounting, hinge-opposite side (EN 4/5)



EN 2   
EN 3 

Closing force EN 2/3



EN 4   
EN 5 

Closing force EN 4/5

## Closing forces

The different sizes are reached by moving the door closer on the door leaf and by turning the standard arm reception by 180°

Closing force diagram ECO Newton TS-15, hinge-opposite side



## Closing speed

Continuously adjustable closing speed from approx. 170°\* to 0°.

## Latching speed

Increases the closing speed and thus the safe closing of the door, for example to overcome door seals, door locks and high air pressure. Continuously adjustable, works between 7 to 0°

## Note:

**The use of a mounting plate is recommended for rebated doors.**

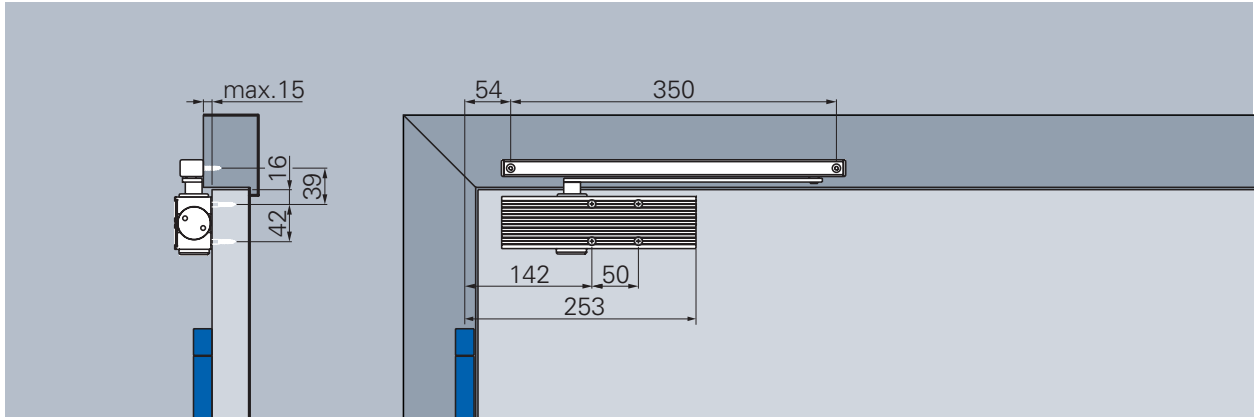
\*Varies according to door thickness and type of hinge

**A door stopper for opening limit is a must!**

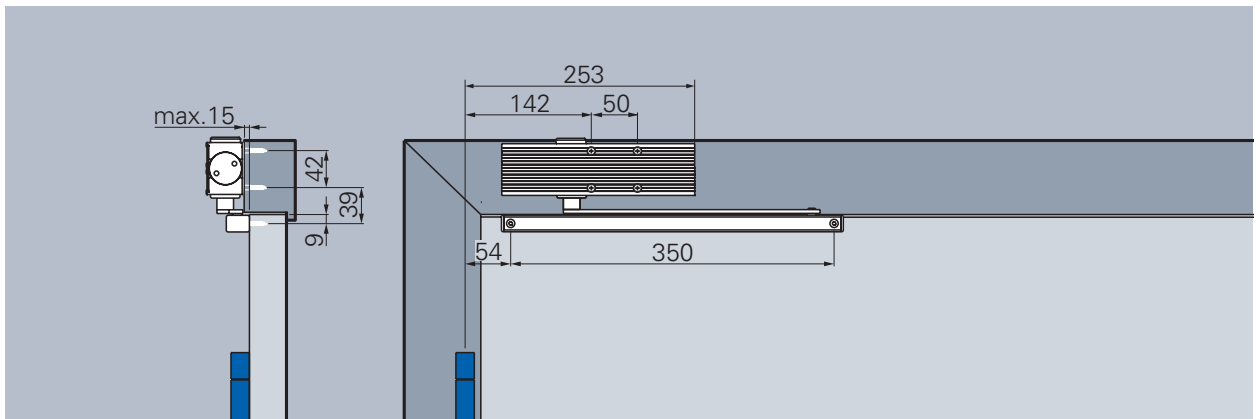


# Hinge side

Mounting with slide rail K, illustration DIN left-door, DIN right laterally reversed



Standard mounting with slide rail K, hinge side



Head mounting with slide rail K, hinge side

## ■ Closing speed

Continuously adjustable closing speed from approx. 180° to 0°.

## ■ Latching speed

Increases the closing speed and thus the safe closing of the door, for example to overcome door seals, door locks and high air pressure.

Continuously adjustable, works between 7 to 0°

### Note:

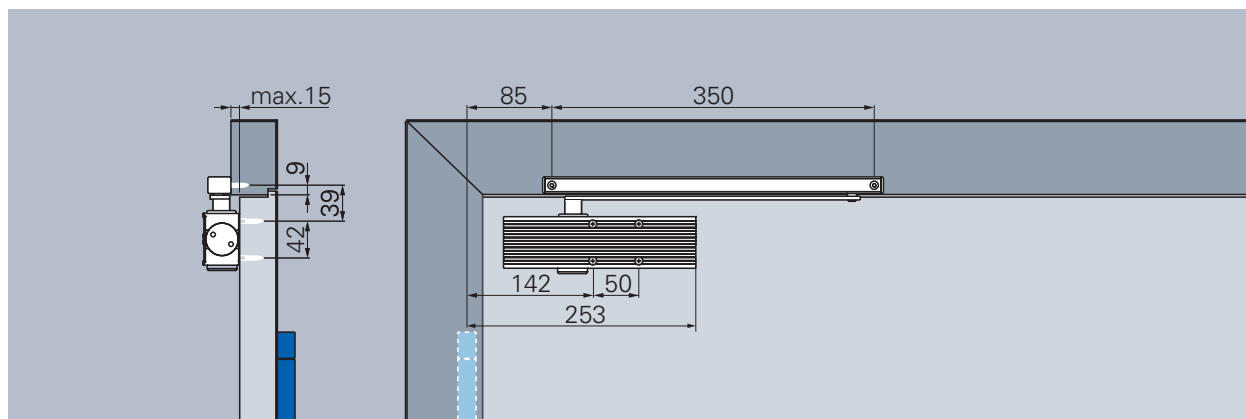
**The use of a mounting plate is recommended for rebated doors.**

Closing force diagram ECO Newton TS-15 K, hinge side

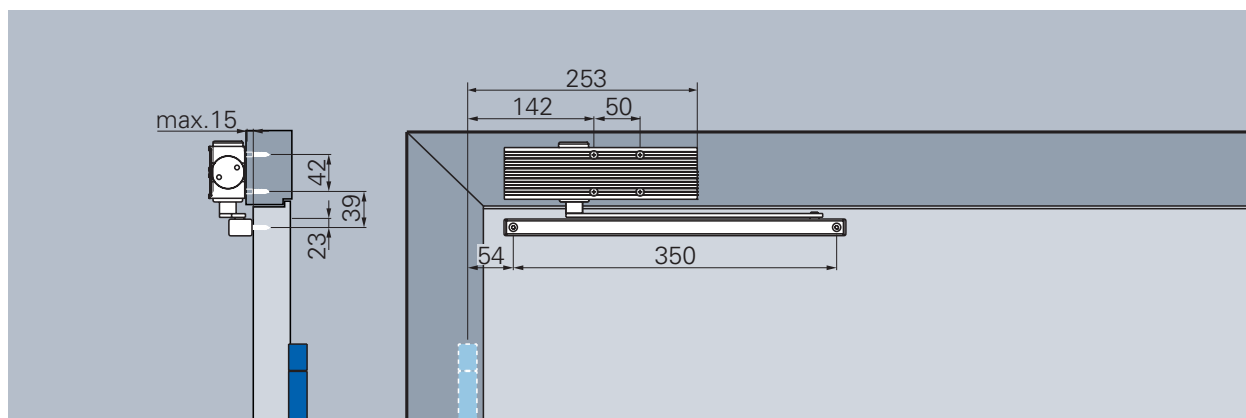


# Hinge-opposite side

Mounting with slide rail K, illustration DIN right-door, DIN right laterally reversed



Standard mounting with slide rail K, hinge-opposite side



Head mounting with slide rail K, hinge-opposite side

## Closing speed

Continuously adjustable closing speed from approx. 140° to 0°.

## Latching speed

Increases the closing speed and thus the safe closing of the door, for example to overcome door seals, door locks and high air pressure.

Continuously adjustable, works between 7 to 0°

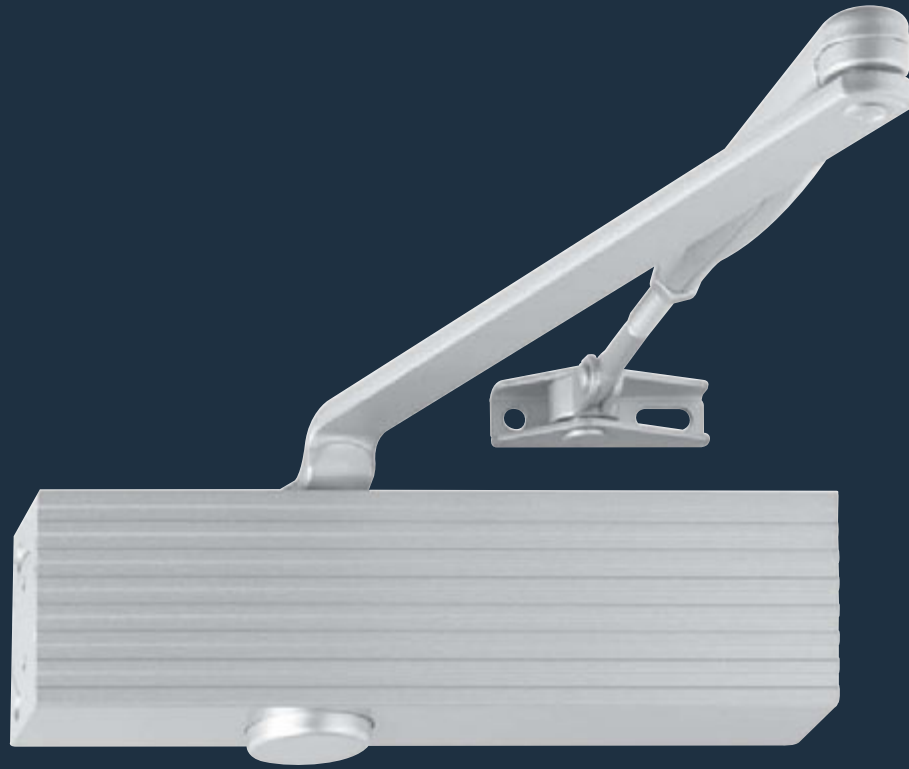
Closing force diagram ECO Newton TS-15 K, hinge-opposite side



\*Varies according to door thickness and type of hinge

**A door stopper for opening limit is a must!**

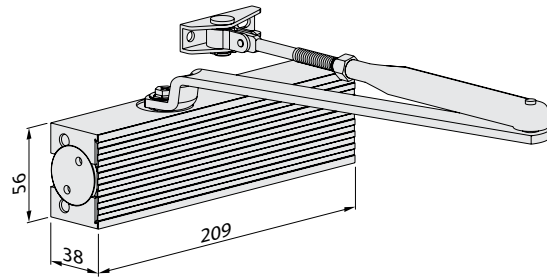
ECO **Newton** TS-14



**Product characteristics**

Closing force (continuously adjustable)	Size acc. to EN	1/2/3/4
Door width	≤ 1.100 mm	■
Dimensions	Length in mm Depth in mm Height in mm	209 38 56
Mounting plate		-
Hinge-side and hinge-opposite side		■
DIN left / right		■
Latching speed (adjustable from the side)		■
Closing speed (adjustable from the side)		■

■ Yes  
 - No  
 □ Option



Dimensions: TS-14



The different sizes are reached by moving the door closer on the door leaf.



Body: Silver RAL 9006  
ECOcllic: Stainless steel  
polished or satin



Body + ECOcllic:  
White RAL 9016

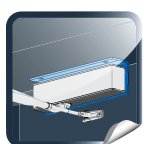


Body + ECOcllic:  
Black RAL 9005

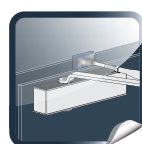


Body + ECOcllic:  
Brown RAL 8014

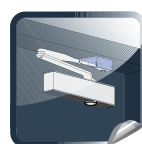
Standard arm is always delivered in the same colour as the ordered door closer body.



Under-lintel angle  
for door closer  
Page 165



Adaptor profile  
Page 167



Angle bracket for parallel arm  
mounting Page 166

# Order information

## ECO Newton TS-14 ■ Door closer with standard arm

### Product information

- Closing force 1 / 2 / 3 / 4 nach EN (for door width up to 1.100 mm).  
Adjustable by moving the door closer.
- Latching speed and closing speed continuously adjustable from the side
- Same version DIN left and DIN right.
- Height only 38 mm
- Max. door opening angle: 180°

### Article numbers



Door closer with standard arm		Colour		Article number	Door closer without standard arm		Colour		Article number
TS-14	(1/2/3/4)	Silver	RAL 9006	301452E11A71010	TS-14	(1/2/3/4)	Silver	RAL 9006	351452E11A00010
TS-14	(1/2/3/4)	White	RAL 9016	301452E11E71010	TS-14	(1/2/3/4)	White	RAL 9016	351452E11E00010
TS-14	(1/2/3/4)	Brown	RAL 8014	301452E11D71010	TS-14	(1/2/3/4)	Brown	RAL 8014	351452E11D00010
TS-14	(1/2/3/4)	Black	RAL 9005	301452E11G71010	TS-14	(1/2/3/4)	Black	RAL 9005	351452E11G00010

Autostadt VW, Wolfsburg,  
Germany

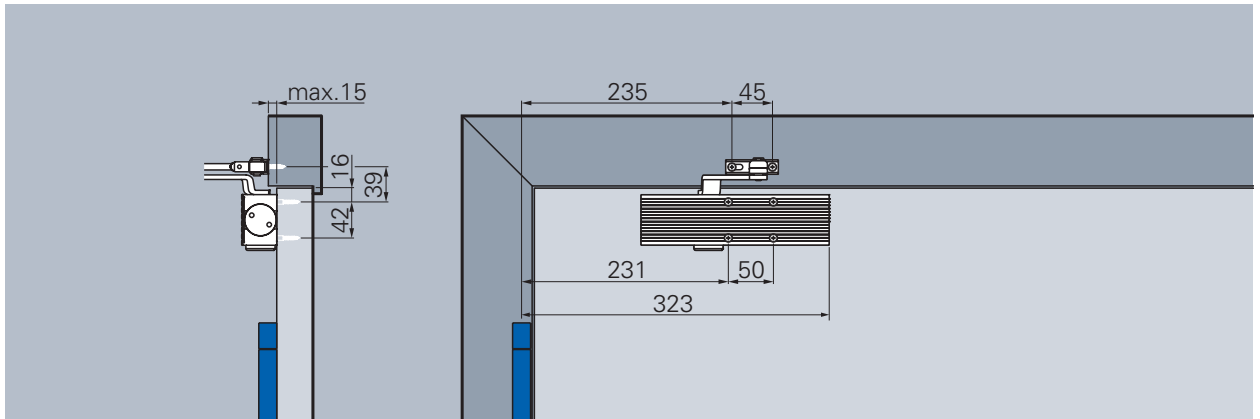


## ECO Newton All a question of the system.

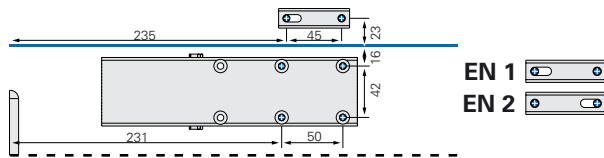
The new ECO Newton door closers are a part of the comprehensive ECO Schulte door fittings system. ECO Schulte thinks in terms of complete solutions and is one of the very few system providers dealing in all aspects of the door. From hinges to handles and from locking technology to single and double-leaf door closing systems, the company provides all safety relevant components from a single source. A unique, logical overall concept in regard to technology, function, form and service, because safety is inseparable.

# Hinge side

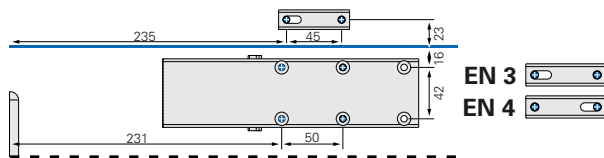
Illustration DIN left-door, DIN right laterally reversed



Standard mounting, hinge side



**Closing force EN 1/2**



**Closing force EN 3/4**

## Closing forces

The different sizes are reached by moving the door closer on the door leaf and by turning the standard arm reception by 180°.

Closing force diagram ECO Newton TS-14, hinge side



## Closing speed

Continuously adjustable closing speed from approx. 180° to 0°.

## Latching speed

Increases the closing speed and thus the safe closing of the door, for example to overcome door seals, door locks and high air pressure.

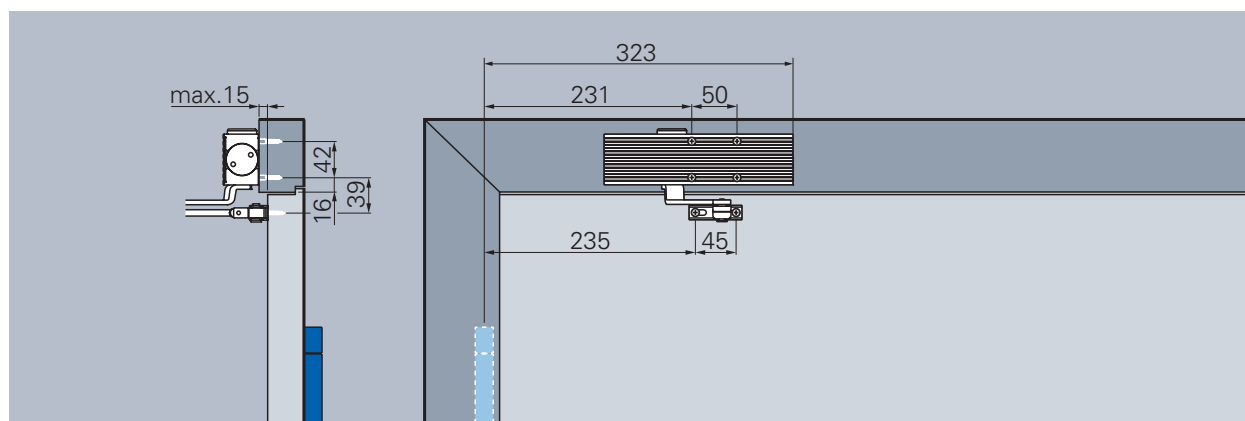
Continuously adjustable, works between 7 to 0°

## Note:

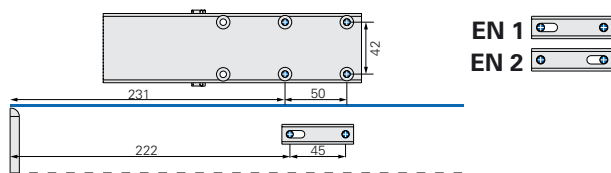
**The use of a mounting plate is recommended for rebated doors.**

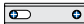
# Hinge-opposite side

Illustration DIN right-door, DIN right laterally reversed



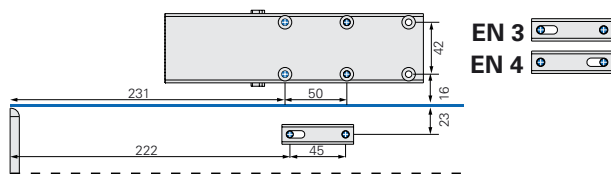
Head mounting, hinge-opposite side





EN 1   
EN 2 

Closing force diagram ECO Newton TS-14, hinge-opposite side

## Closing force EN 1/2



EN 3   
EN 4 

## Closing force EN 3/4

### Closing forces

The different sizes are reached by moving the door closer on the door leaf and by turning the standard arm reception by 180°.



### Closing speed

Continuously adjustable closing speed from approx. 170°\* to 0°.

### Latching speed

Increases the closing speed and thus the safe closing of the door, for example to overcome door seals, door locks and high air pressure. Continuously adjustable, works between 7 to 0°

\*Varies according to door thickness and type of hinge

**A door stopper for opening limit is a must!**

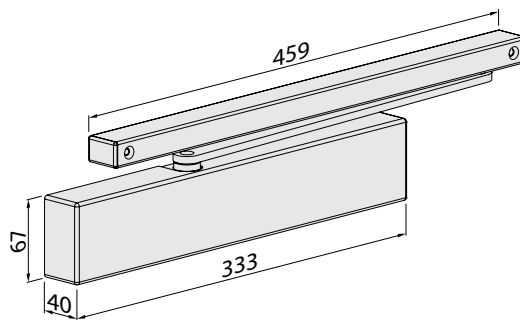


# ECO Multi-Genius

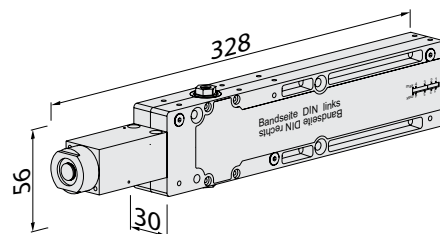


Product characteristics		MG		ITS MG	
Closing force (with closing force display, continuously adjustable)	Size acc. to EN	1 - 4	2 - 5	1 - 4	2 - 5
Door width	≤ 1100 mm	■	■	■	■
acc. to EN	≤ 1250 mm	-	■	-	■
Dimensions (incl. mounting plate for Multi-Genius)	Length in mm	333	333	328	328
	Depth in mm	40	40	30	30
	Height in mm	67	67	56	56
Mounting plate acc. to EN 1154 A (supplementary sheet 1)		■	■	-	-
Hinge-side and hinge-opposite side		■	■	■	■
DIN left / right		■	■	■	■
Latching speed (continuously adjustable)		■	■	■	■
Closing speed (continuously adjustable)		■	■	■	■
Door opening angle (depends on the notch of the door)		180°		140 - 165°*	
Tested acc. to EN		<b>EN 1154 A</b>			
Suitable for fire- and smoke control doors (no permission for head mounting on hinge-opposed side, concealed ITS)		<b>F</b>			
Certified according to EU-Directive		<b>CE</b>			

- Yes
- No
- Option



Dimensions: Multi-Genius

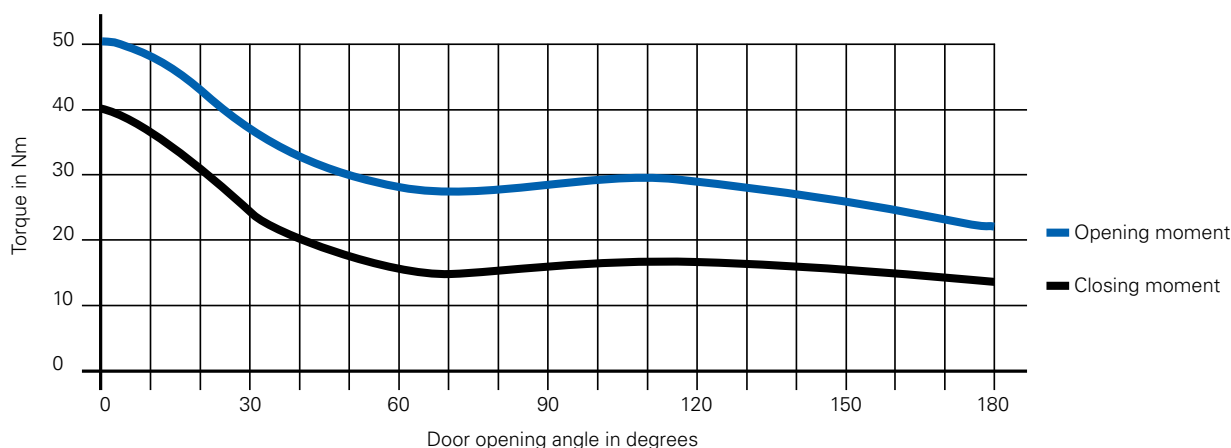


Dimensions: ITS Multi-Genius

## ECO Multi-Genius ■ Find out the trick!

With a simple 90° rotation of the micro-hydraulic damping unit, the ITS Multi-Genius can be used either as an integrated or as a top-mounted door closer. By this, the ITS Multi-Genius connects intelligent door closer technology with practical use. One system for two different areas of application. Owing to the integrated eccentric link pull, the door can be opened without larger efforts of force. The construction of the ITS Multi-Genius ensures that the opening moment is falling rapidly. Result is a problem-free committing of the door which can be opened easily!

### Moment curve Multi-Genius (EN 2 - 5, max. closing force)



# Order information

## ECO ITS Multi-Genius ■ Product description

### Dual technology for light and heavy interior doors

- By turning the micro-hydraulic damping unit, the Multi-Genius can be used as both concealed system (ITS) or surface-mounted door closer system.
- ITS Multi-Genius for use in wooden doors, profile frame doors made of aluminium/steel and doors made of sheet steel starting from  $\geq 40$  mm door thickness, only 30 mm depth, enables an unproblematic and invisible mounting in the door leaf without any additional reinforcement.
- Multi-Genius for the installation on the door leaf has a mounting height of only 40 mm. Incl. mounting plate (acc. to **EN 1154** supplementary sheet 1) and cover
- Hydraulic cylinder containing only 12ml oil has a huge advantage when it comes to the use in fire-protection doors
- The strongly decreasing opening moment allows an easier opening of the door
- Visible closing force display. A continuous adjustment of the closing force is possible before installation
- Easy handling of adjusting the closing force and latching speed, even in mounted condition.
- Default delivery condition with pre-adjustment of size EN 3 and slide rail B. Slide rail Multi-Genius ITS-S can be offered in 20x20 mm and 20x12 mm
- Cover in stainless steel design satin or polished for door closer and slide rail


### Article numbers



Door closer (concealed)	Colour	Article number
ITS M-G (1-4)	- integrated	358038M10Q10009
ITS M-G (2-5)	- integrated	358038A10Q10009



Door closer (surface mounted) slide rail B	Colour	Article number
Multi-Genius (1-4)	Stainless steel satin	308038M10Q10009
Multi-Genius (1-4)	Stainless steel polished	308038M20Q10009
Multi-Genius (2-5)	Stainless steel satin	308038A10Q10009
Multi-Genius (2-5)	Stainless steel polished	308038A20Q10009



La Roche, Basel,  
Switzerland

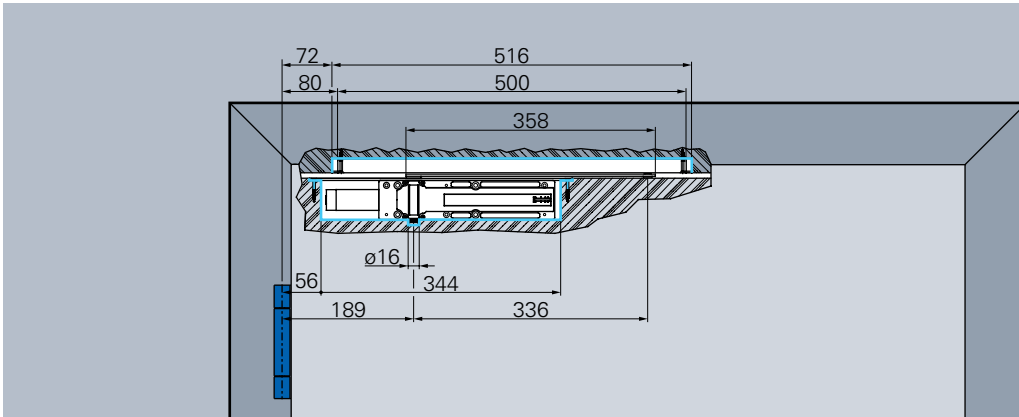
## ECO Multi-Genius Small. Compact. Flexible.

ECO offers as the first manufacturer by the ITS Multi-Genius a dual-technology door closer system, which can be installed as integrated system into the door as well as conventional top-mounted system to the door. As integrated door closer system the ITS-Multi-Genius fulfills all requirements regarding functionality and timeless elegance. By its slim construction it can be integrated without problems invisibly into the door leaf. And this already starting from a door leaf thickness of 40 mm.

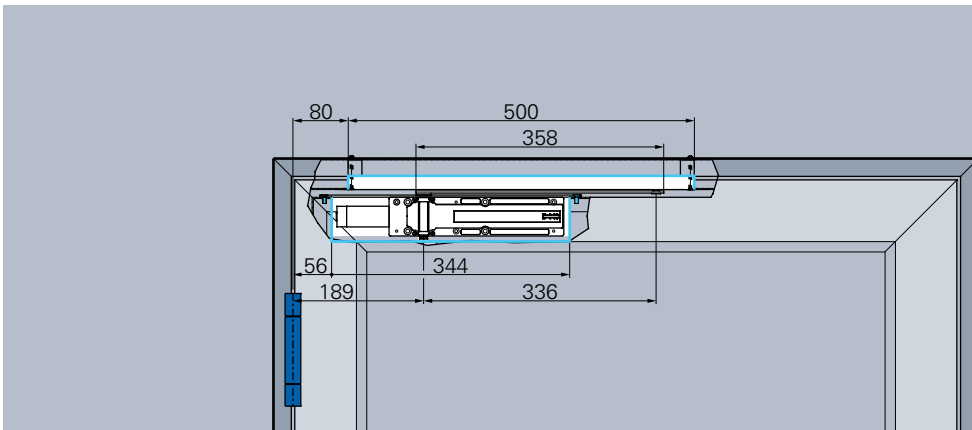
Alternatively, the ITS Multi-Genius can be used also as top-mounted door closer system, which meets all requests. ECO covers made of alternatively satin or polished stainless steel give beyond that a special formative note to the application environment.

# Installation drawing

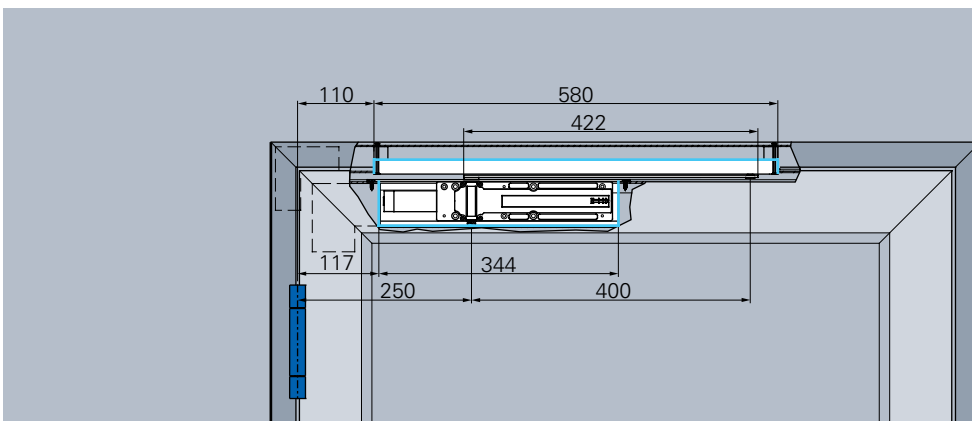
with slide rail 20 x 20 (20 x 12), illustration DIN left-door, DIN right laterally reversed



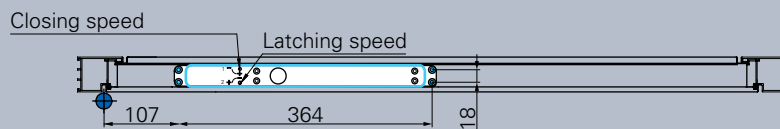
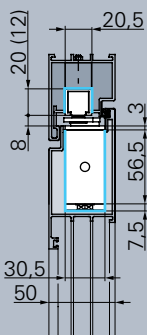
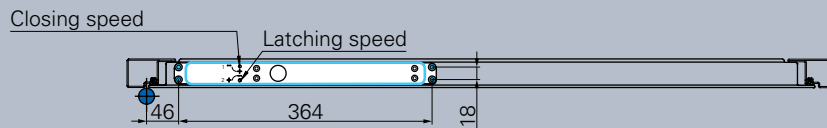
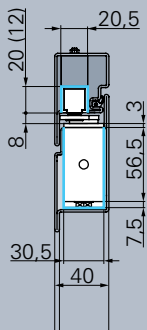
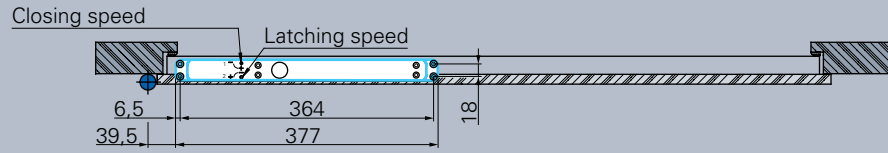
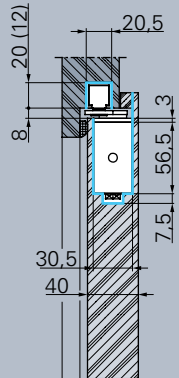
Installation Multi-Genius with slide rail 20 x 20 (20 x 12) in a wooden door



Installation Multi-Genius with slide rail 20 x 20 (20 x 12) in a profile frame door



Installation Multi-Genius with slide rail 20 x 20 (20 x 12) in a profile frame door with angle brackets

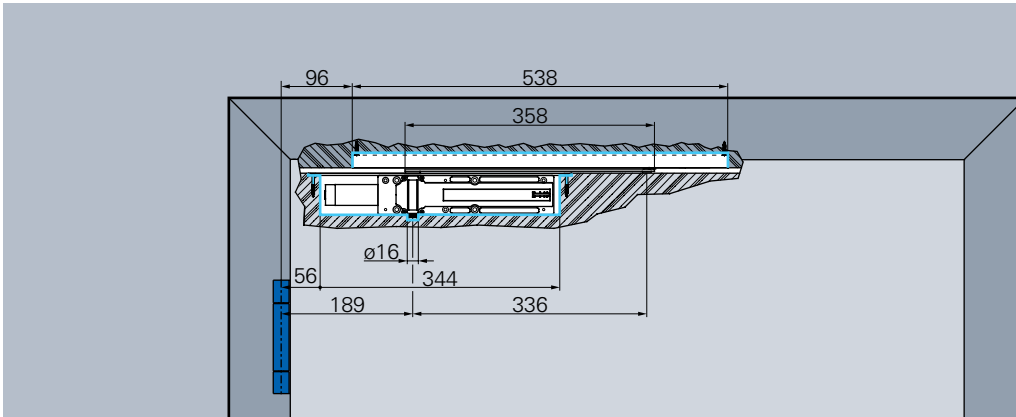


2

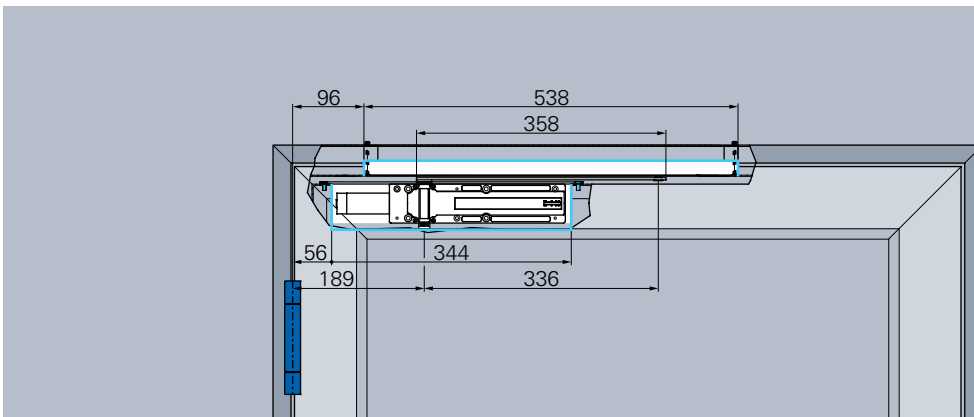


# Installation drawing

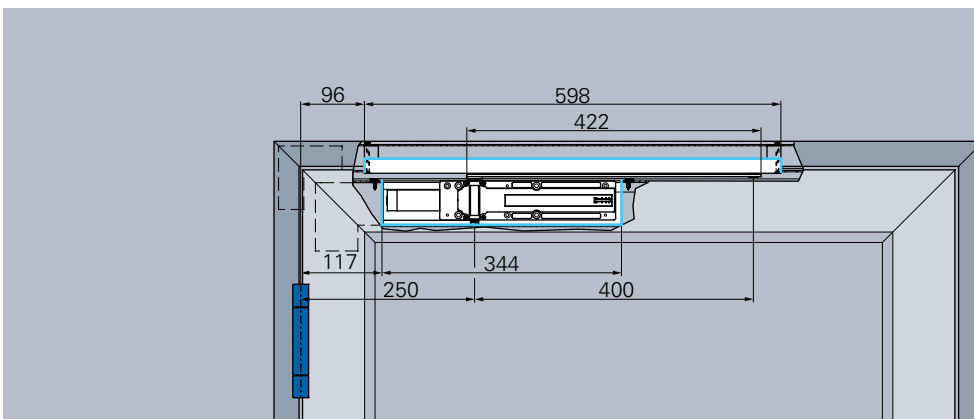
with slide rail 31 x 21 with MFA, illustration DIN left-door, DIN right laterally reversed



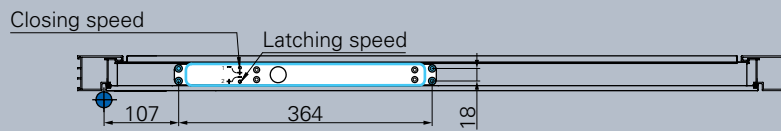
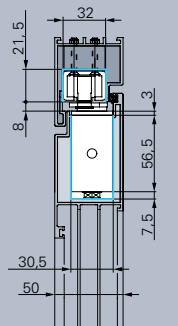
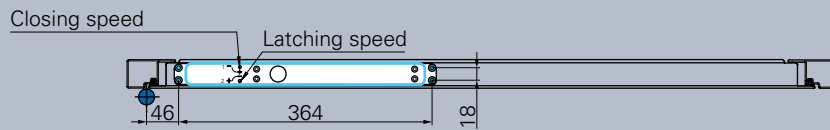
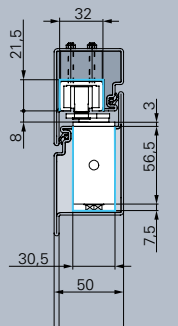
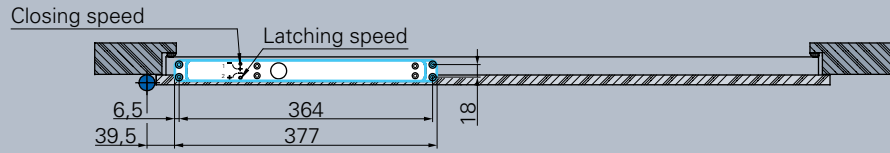
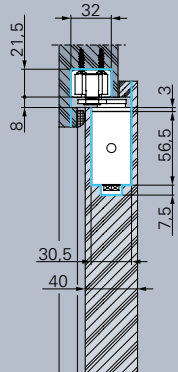
Installation Multi-Genius with slide rail 31 x 21 with MFA in a wooden door



Installation Multi-Genius with slide rail 31 x 21 with MFA in a profile frame door



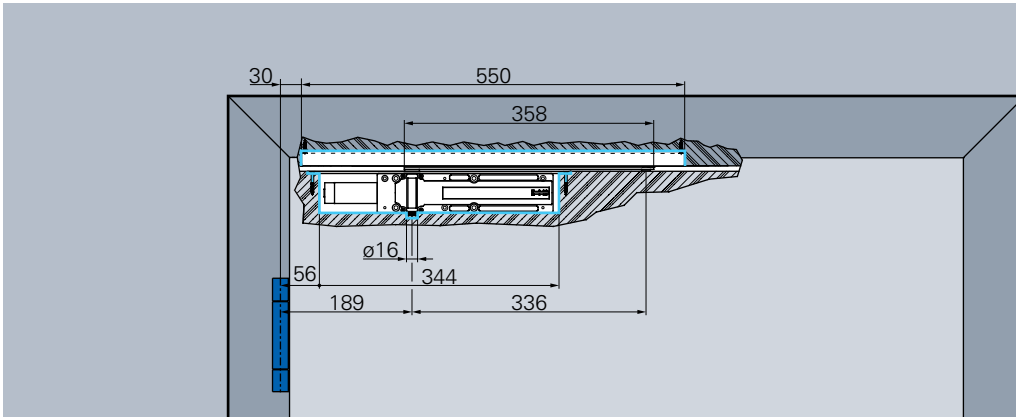
Installation Multi-Genius with slide rail 31 x 21 with MFA in a profile frame door with angle brackets.



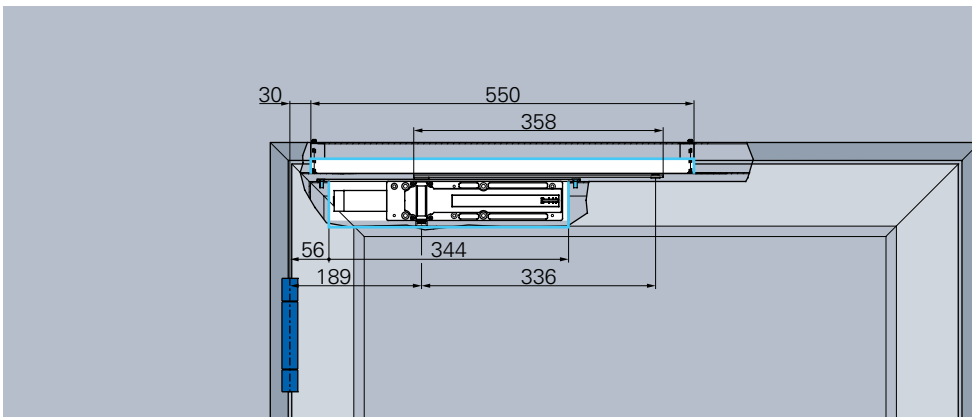


# Installation drawing

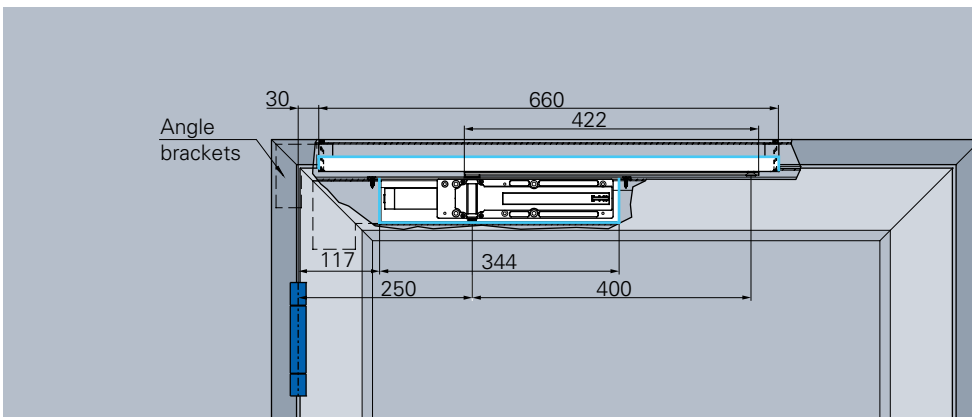
with slide rail 31 x 21 with EF, illustration DIN left-door, DIN right laterally reversed



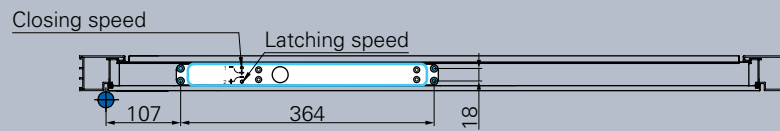
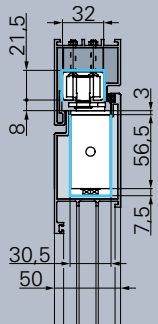
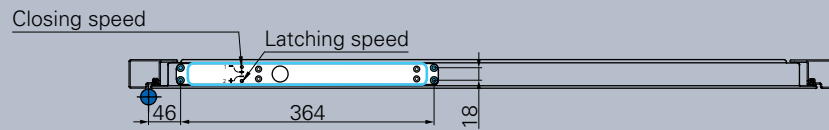
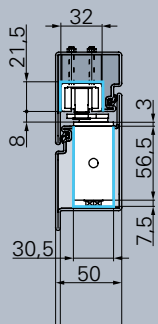
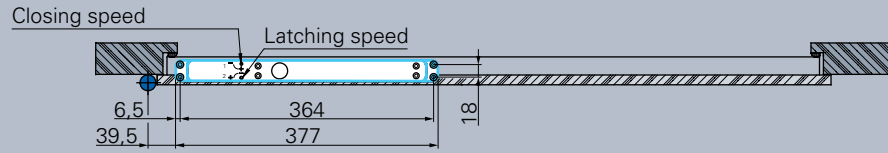
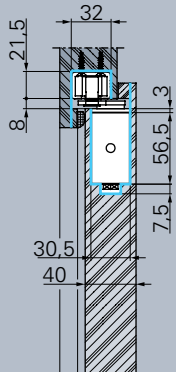
Installation Multi-Genius with slide rail 31 x 21 with EF in a wooden door



Installation Multi-Genius with slide rail 31 x 21 with EF in a profile frame door

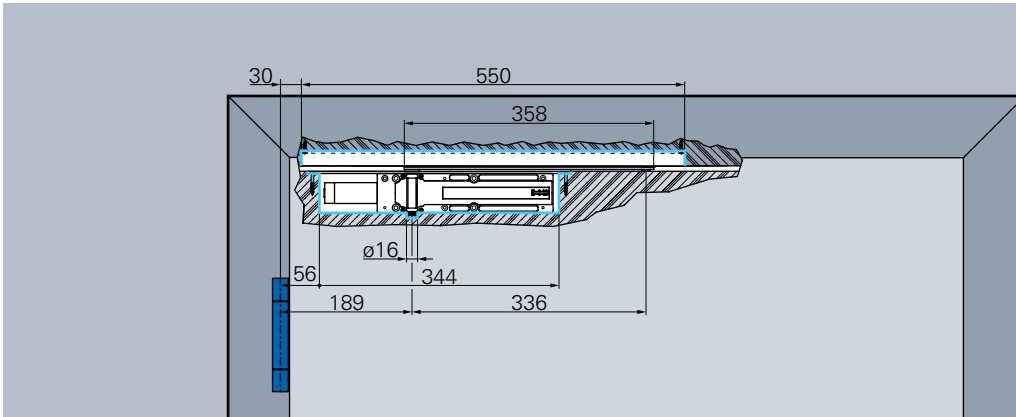


Installation Multi-Genius with slide rail 31 x 21 with EF in a profile frame door with angle brackets

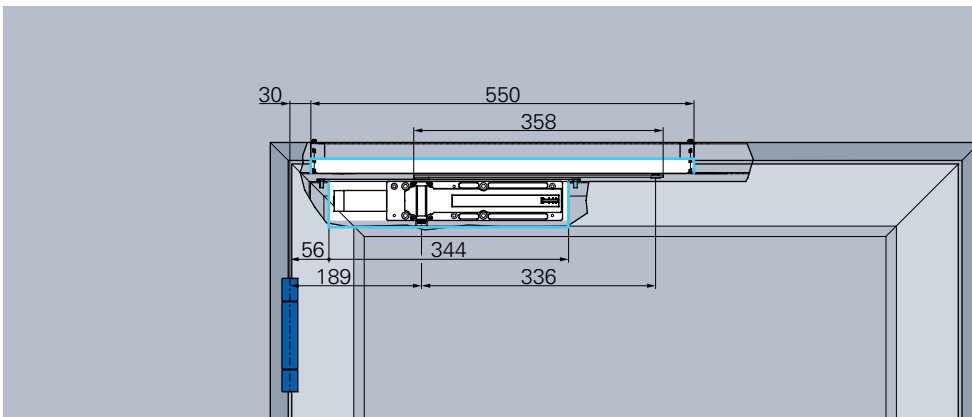


# Installation drawing

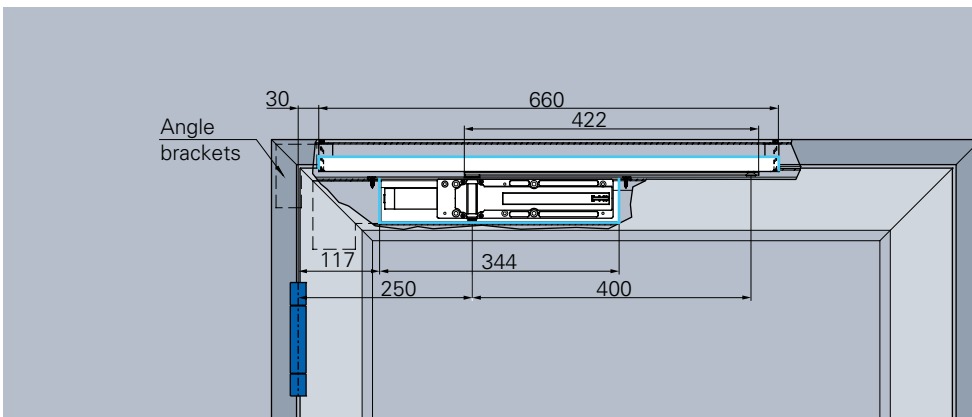
with slide rail 21,5 x 31 with EF, illustration DIN left-door, DIN right laterally reversed



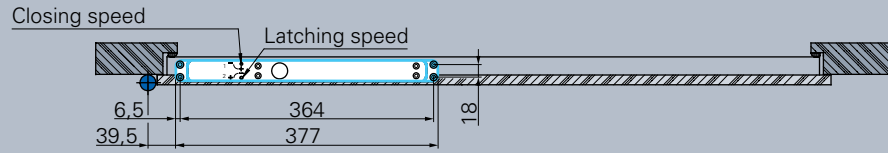
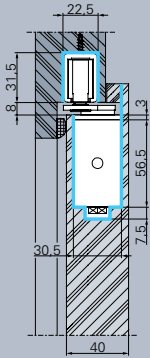
Installation Multi-Genius with slide rail 21,5 x 31 with EF in a wooden door



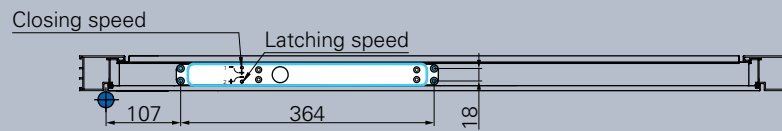
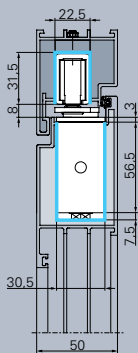
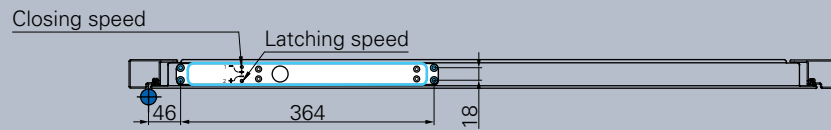
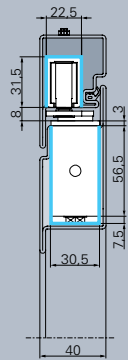
Installation Multi-Genius with slide rail 21,5 x 31 with EF in a profile frame door



Installation Multi-Genius with slide rail 21,5 x 31 with EF in a profile frame door with angle brackets

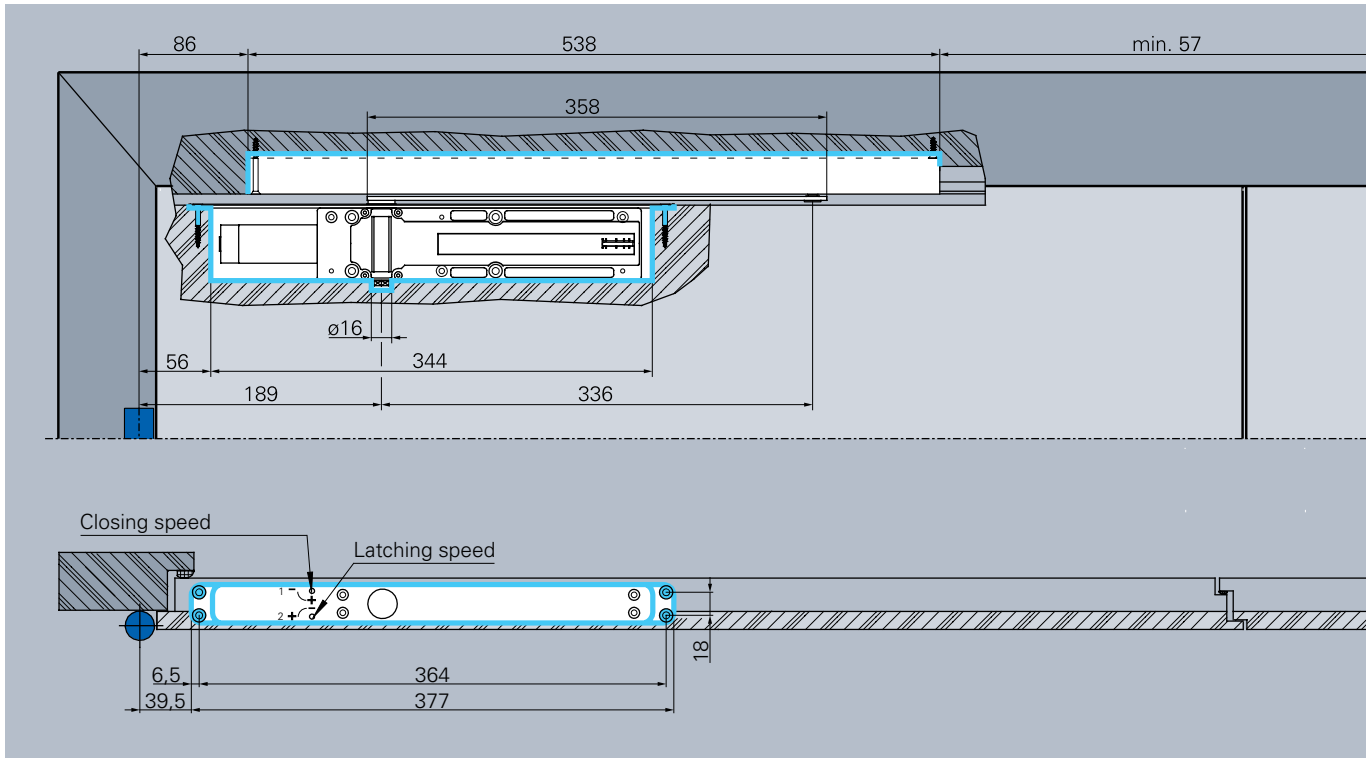


2

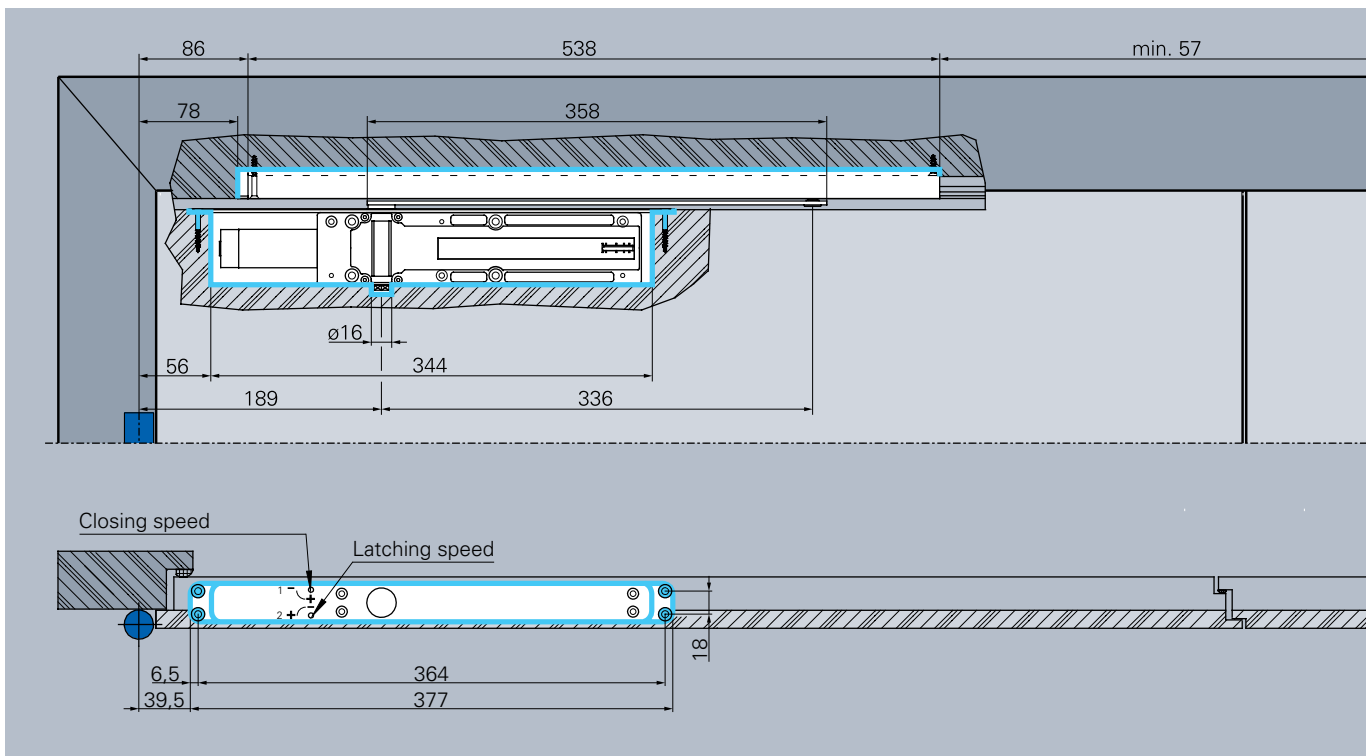


# Installation drawing

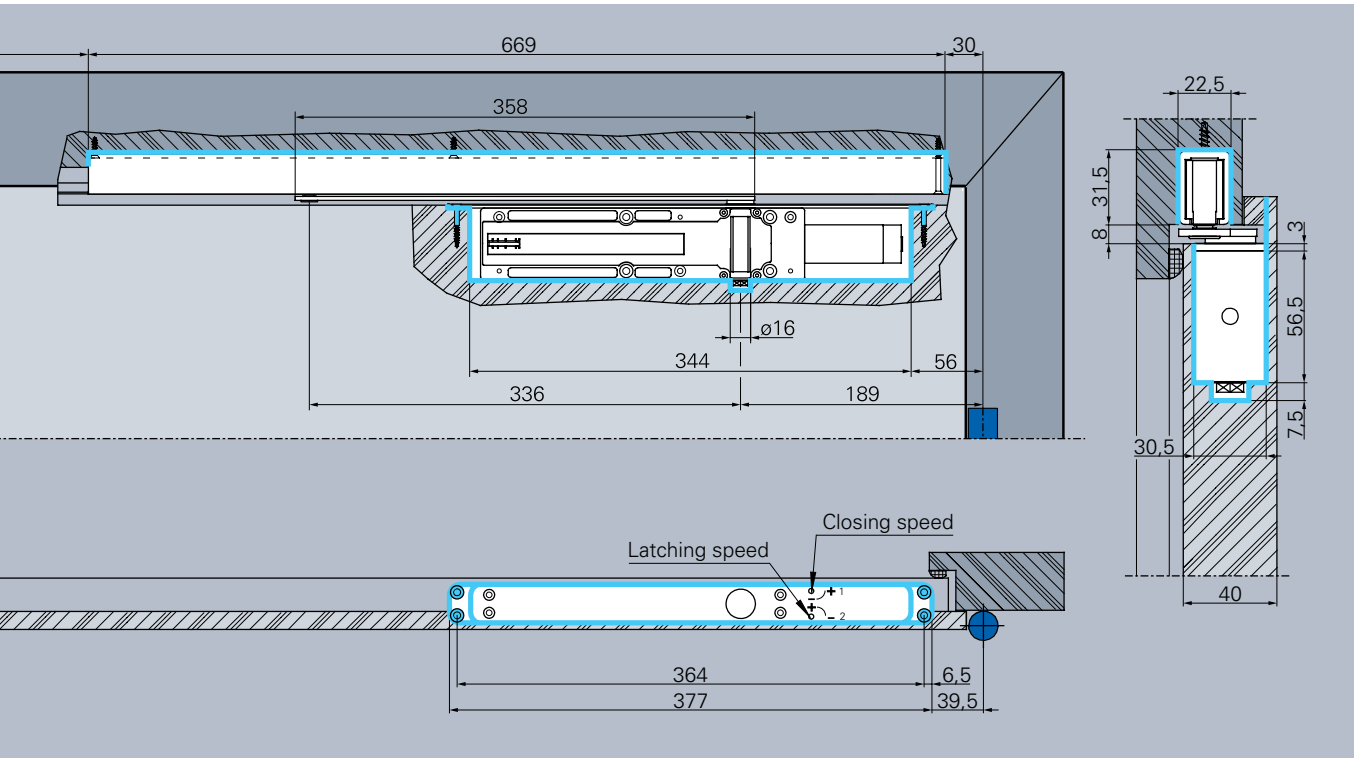
SR in a wooden door



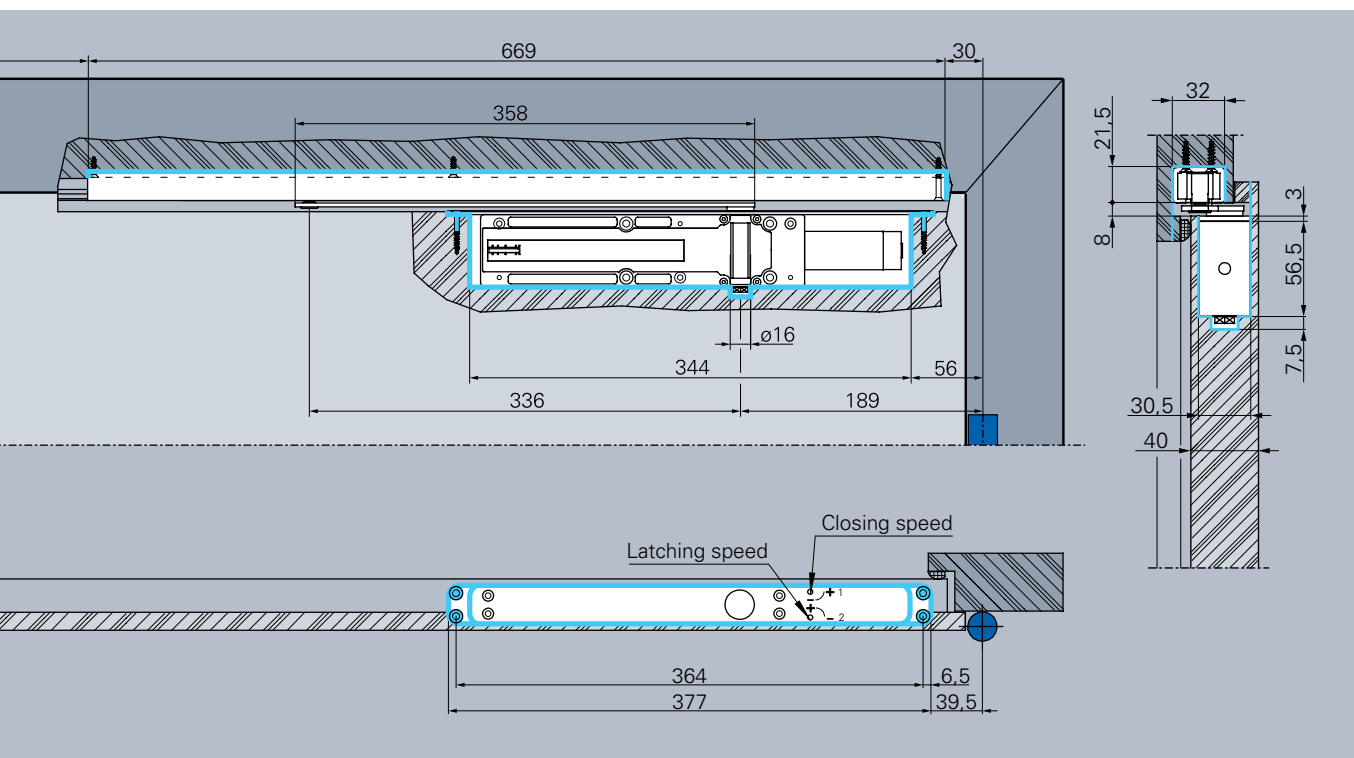
Installation Multi-Genius with slide rail 21,5 x 31 with SR in a wooden door, illustration DIN left, DIN right laterally reversed



Installation Multi-Genius with slide rail 31 x 21 with SR in a wooden door, illustration DIN left, DIN right laterally reversed

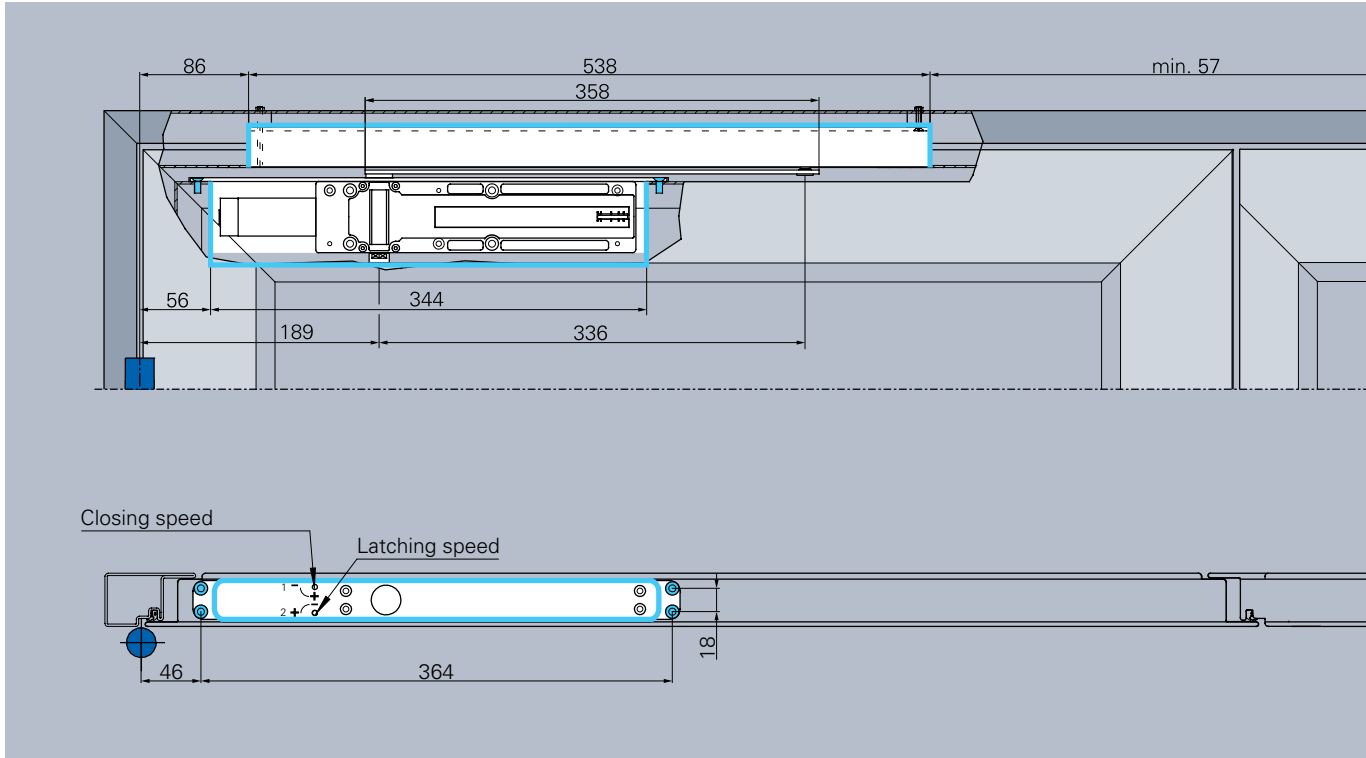


2

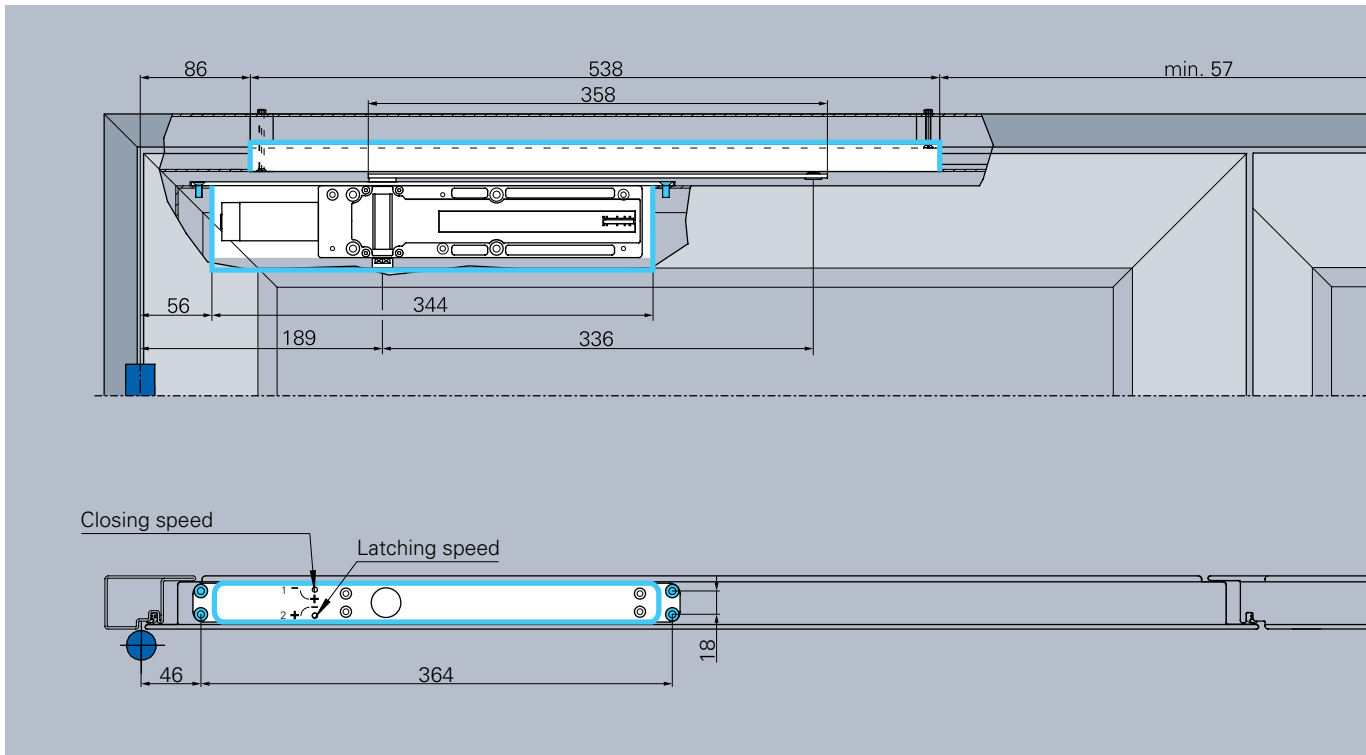


# Installation drawing

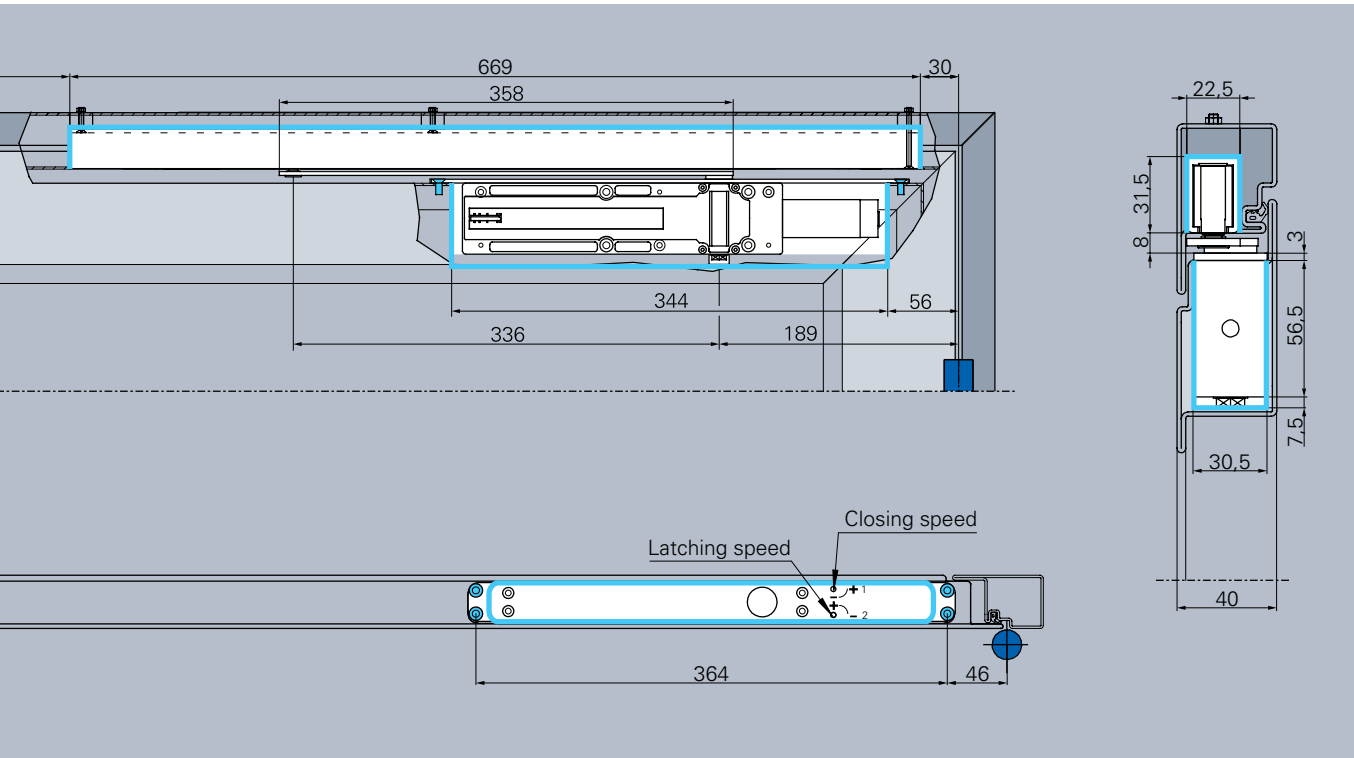
SR in a profile frame door



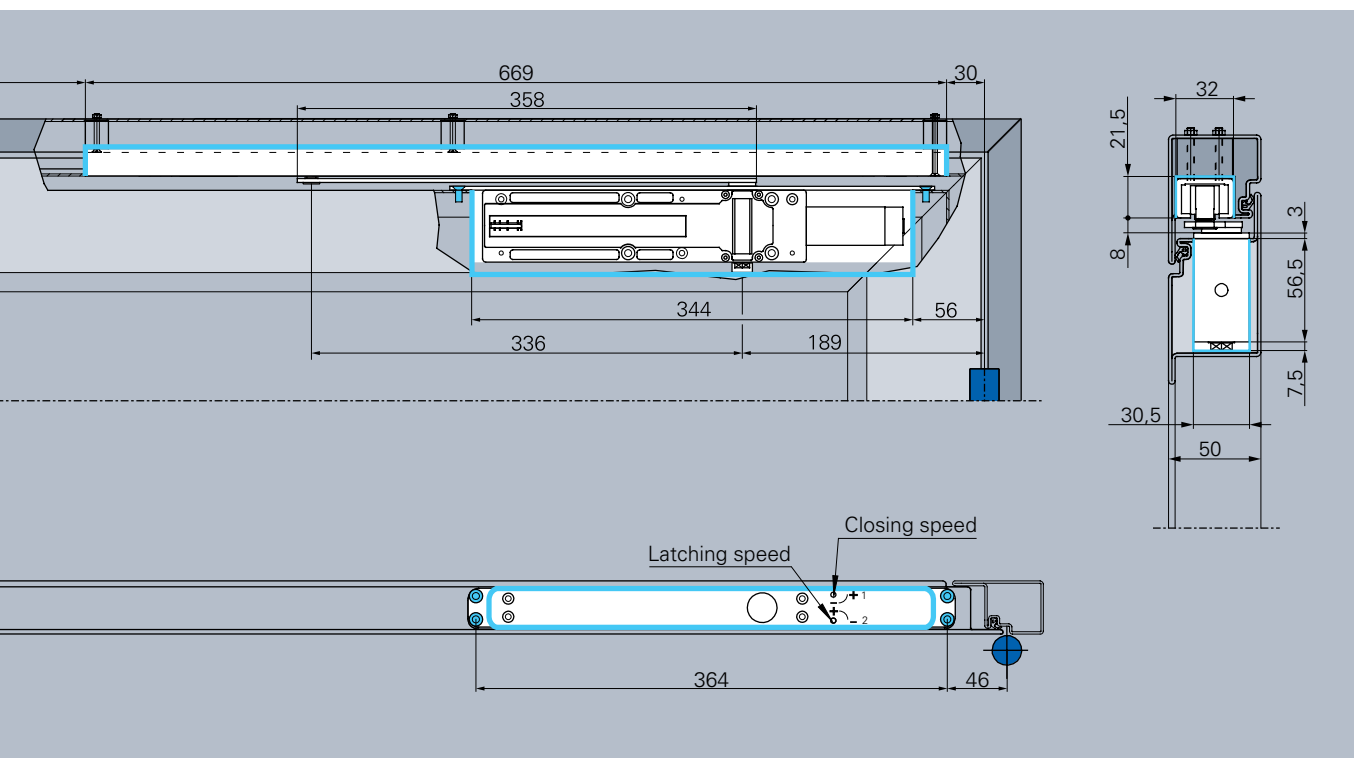
Installation Multi-Genius with slide rail 21,5 x 31 with SR in a profile frame door, illustration DIN left, DIN right laterally reversed



Installation Multi-Genius with slide rail 31 x 21 with SR in a profile frame door with angle brackets, illustration DIN left, DIN right laterally reversed



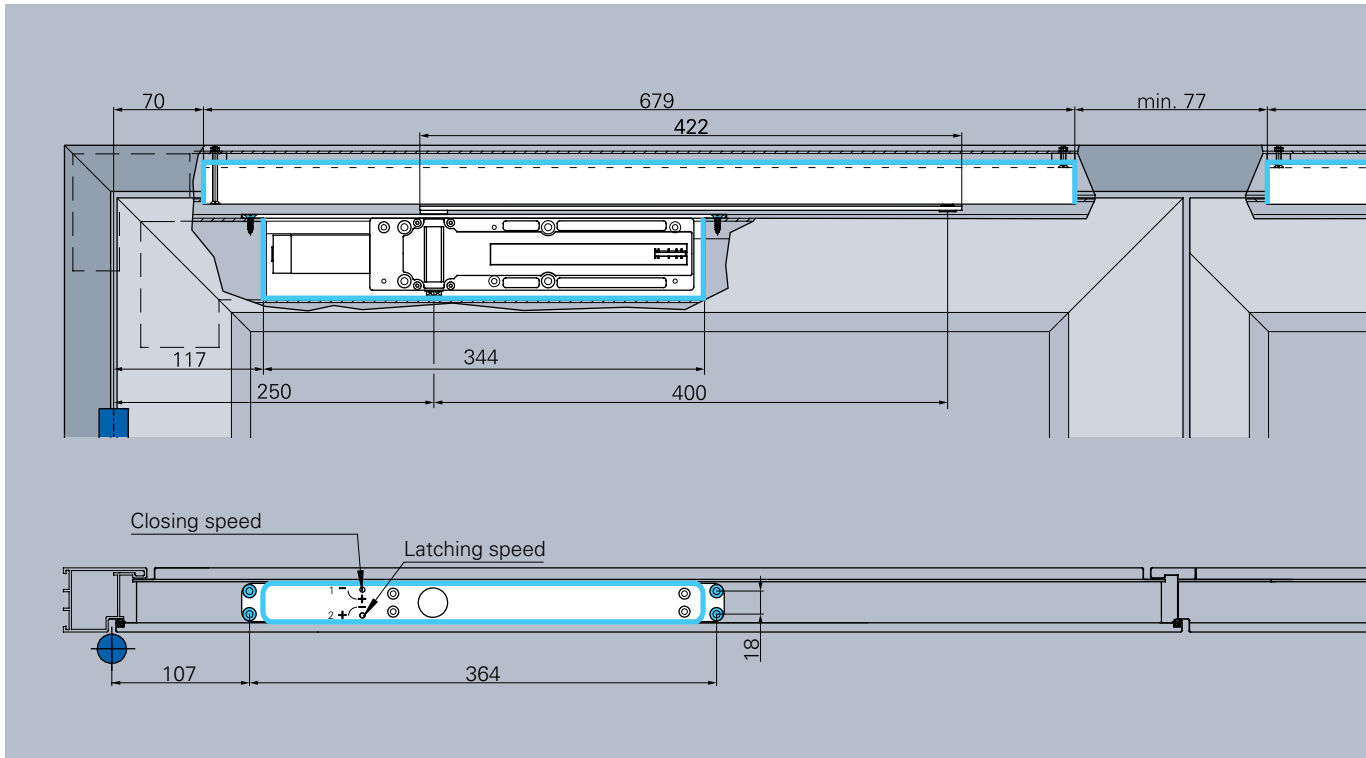
2



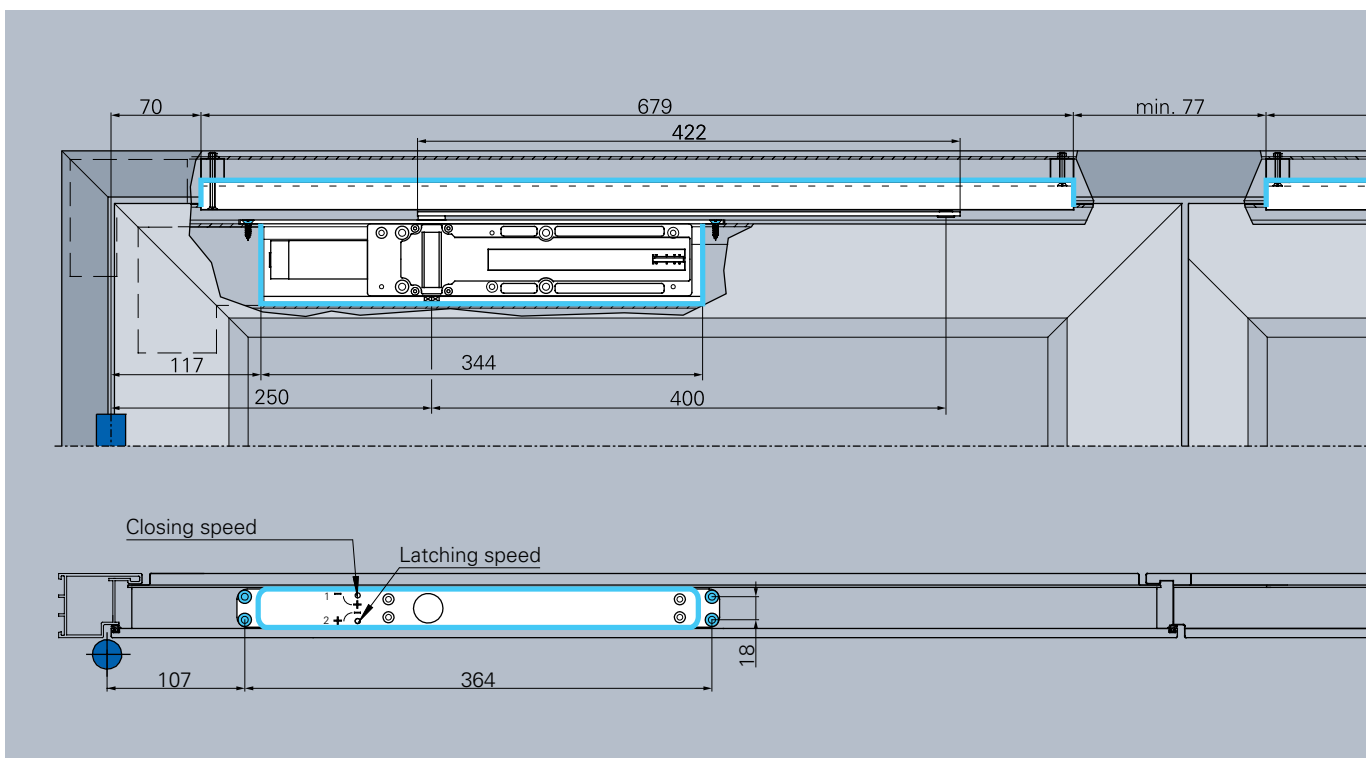


# Installation drawing

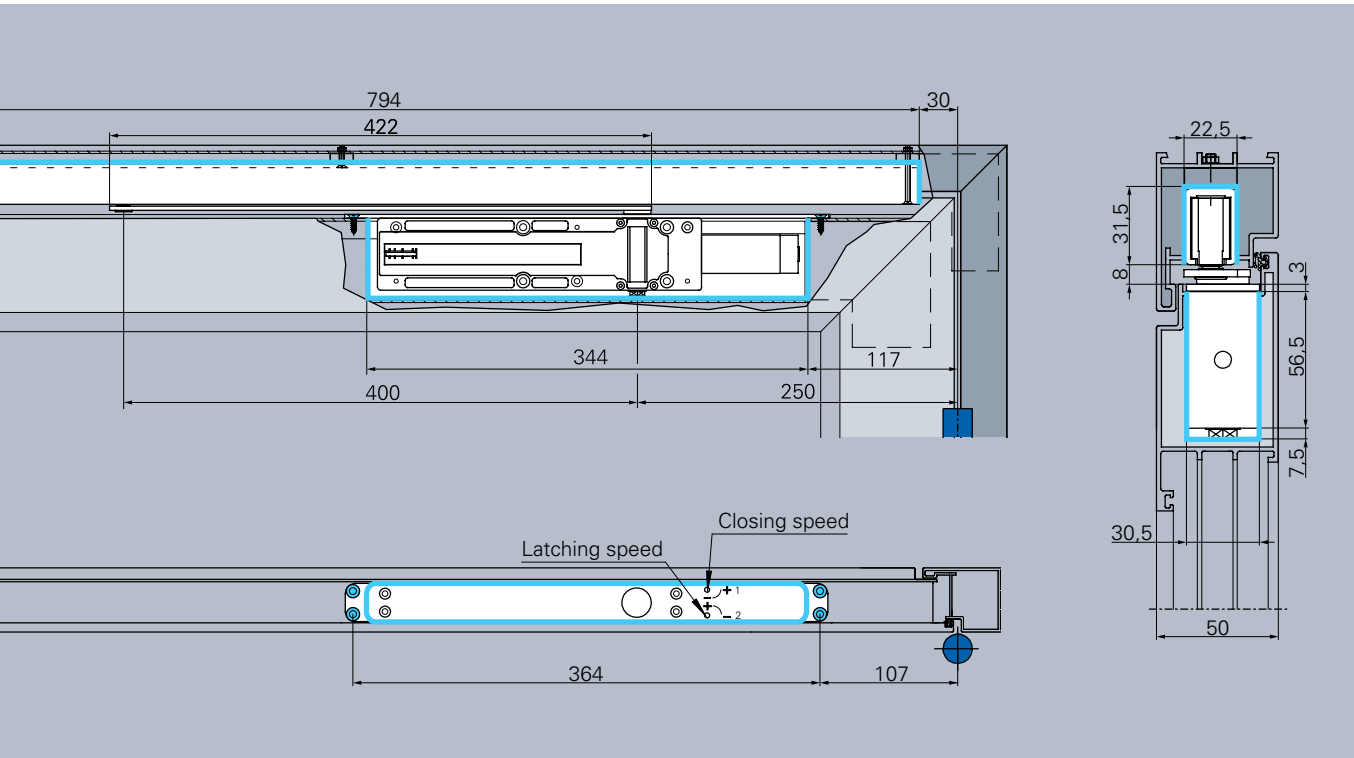
SR in a profile frame door with angle brackets



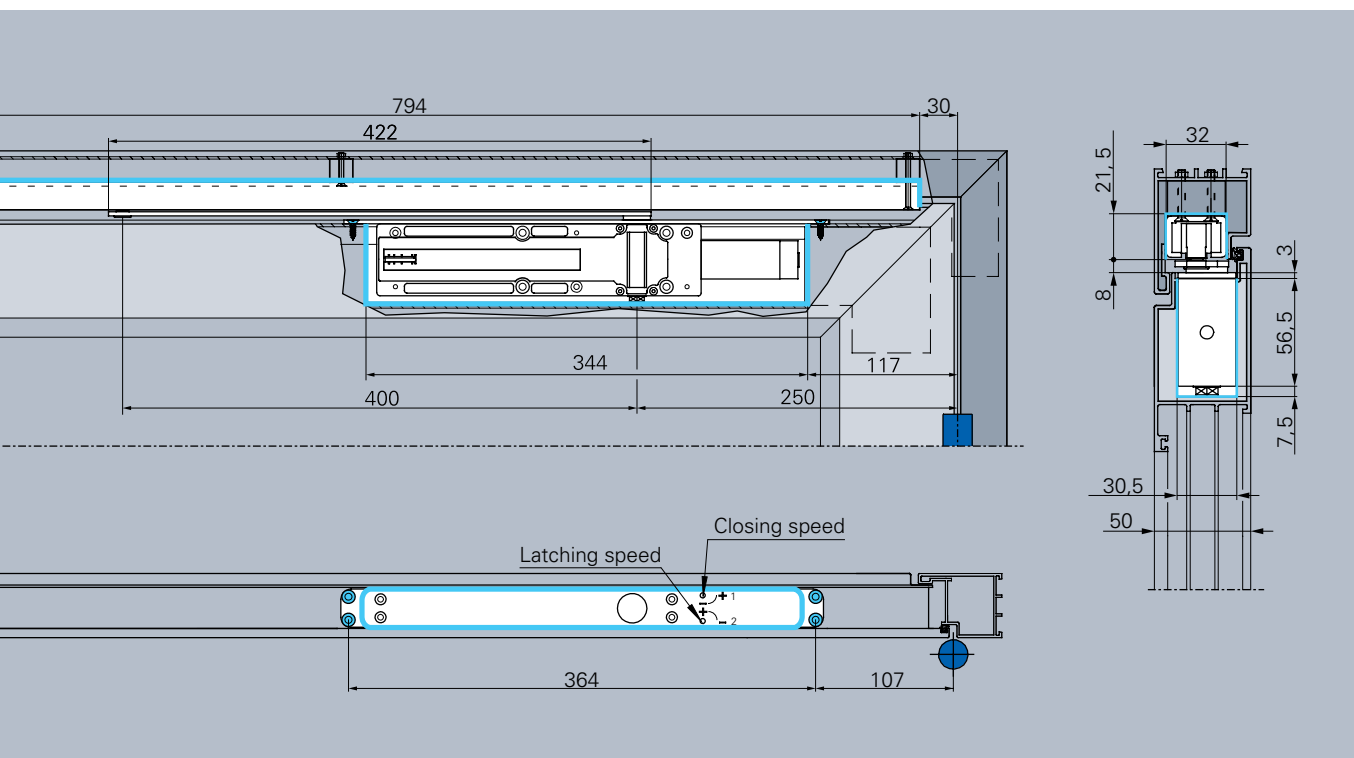
Installation Multi-Genius with slide rail 21,5 x 31 with SR in a profile frame door with angle brackets, illustration DIN left, DIN right laterally reversed



Installation Multi-Genius with slide rail 31 x 21 with SR in a profile frame door with angle brackets, illustration DIN left, DIN right laterally reversed

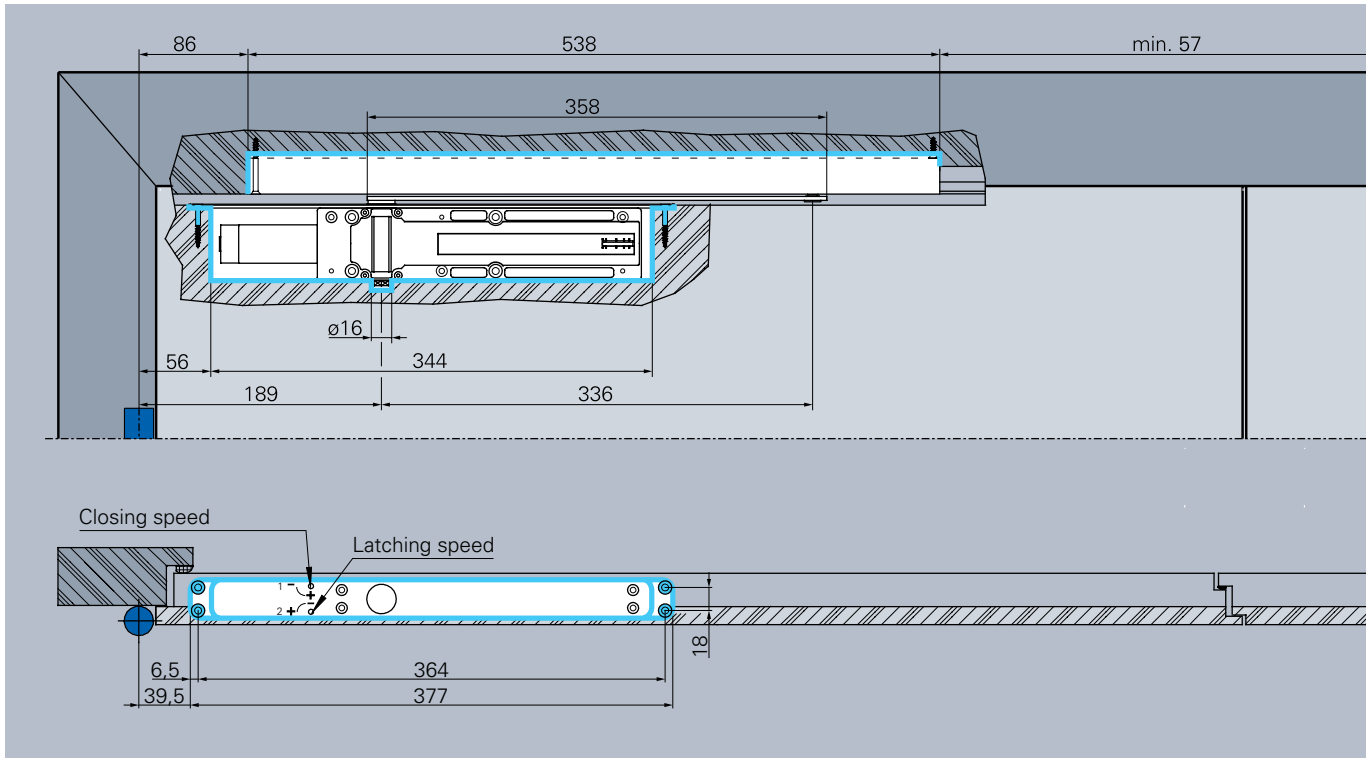


2

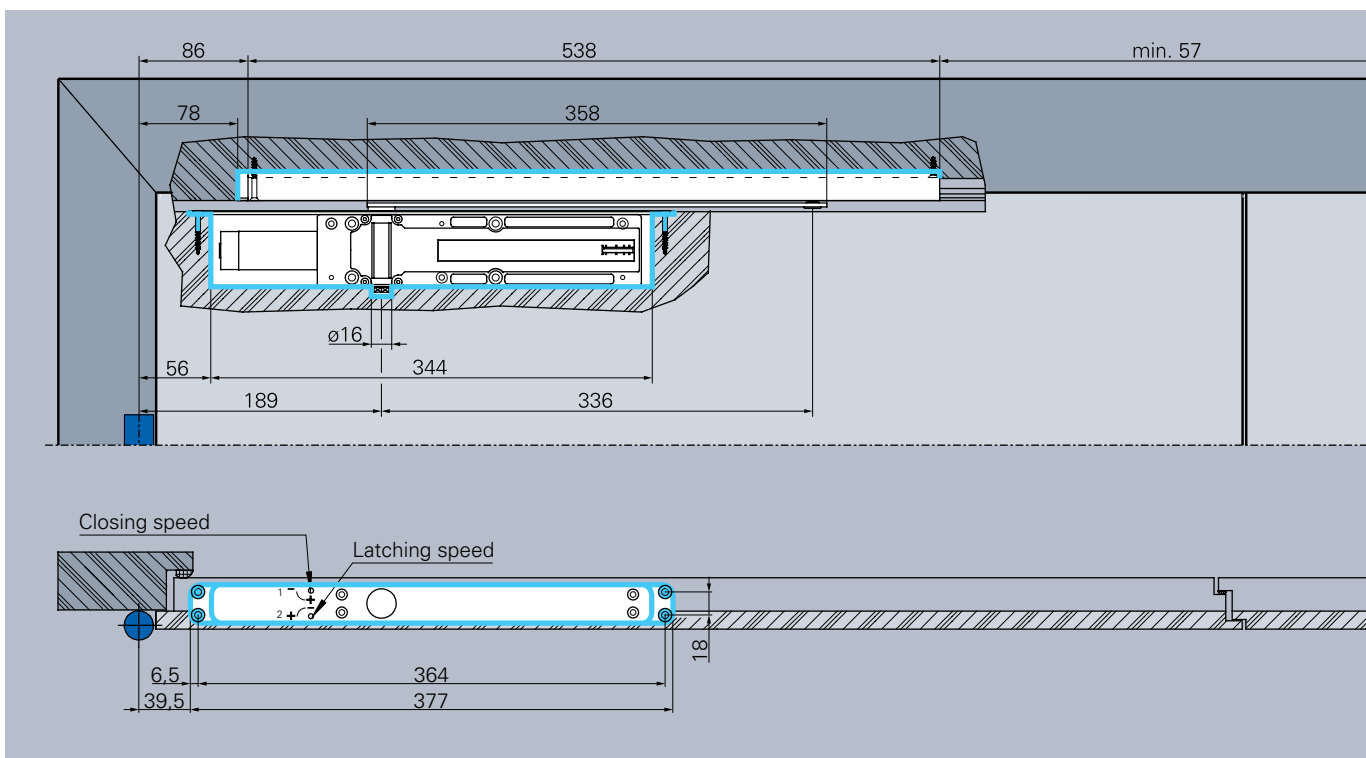


# Installation drawing

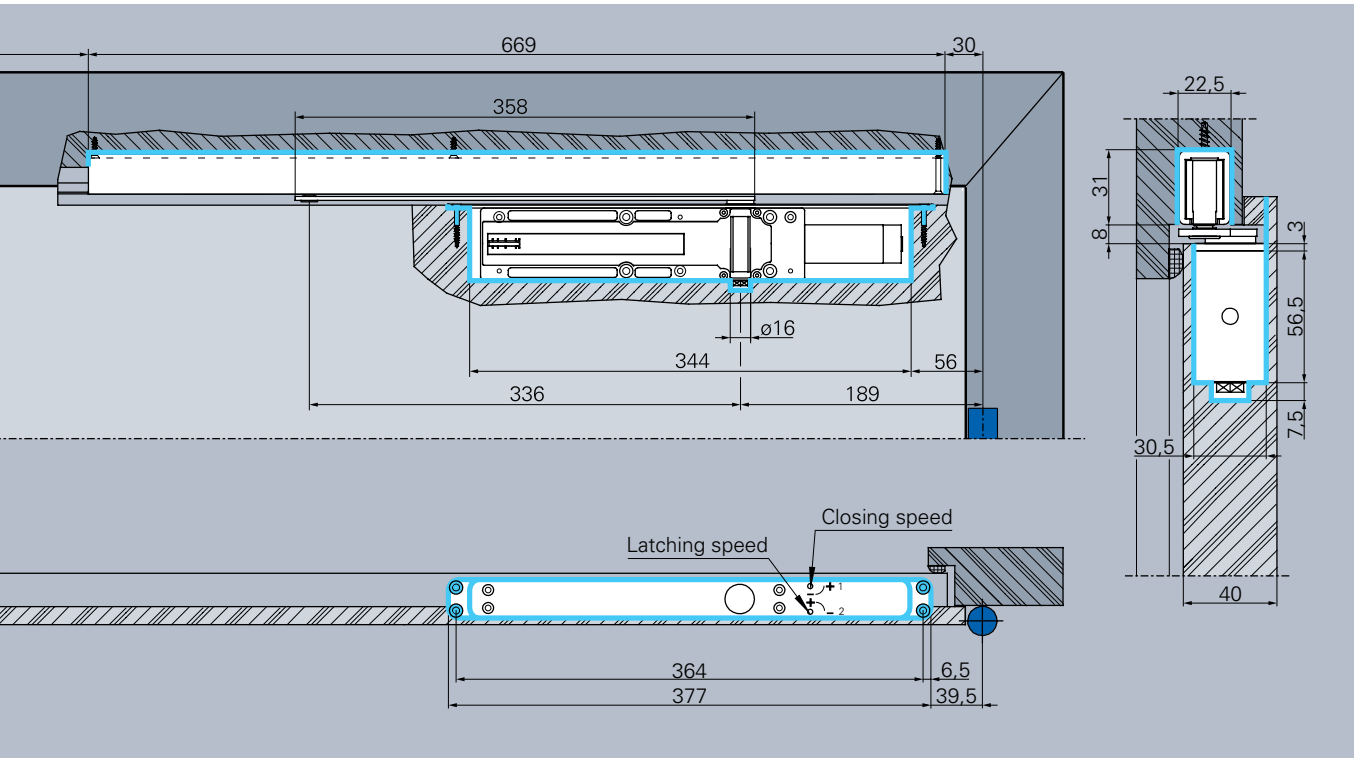
SR-EF in a wooden door



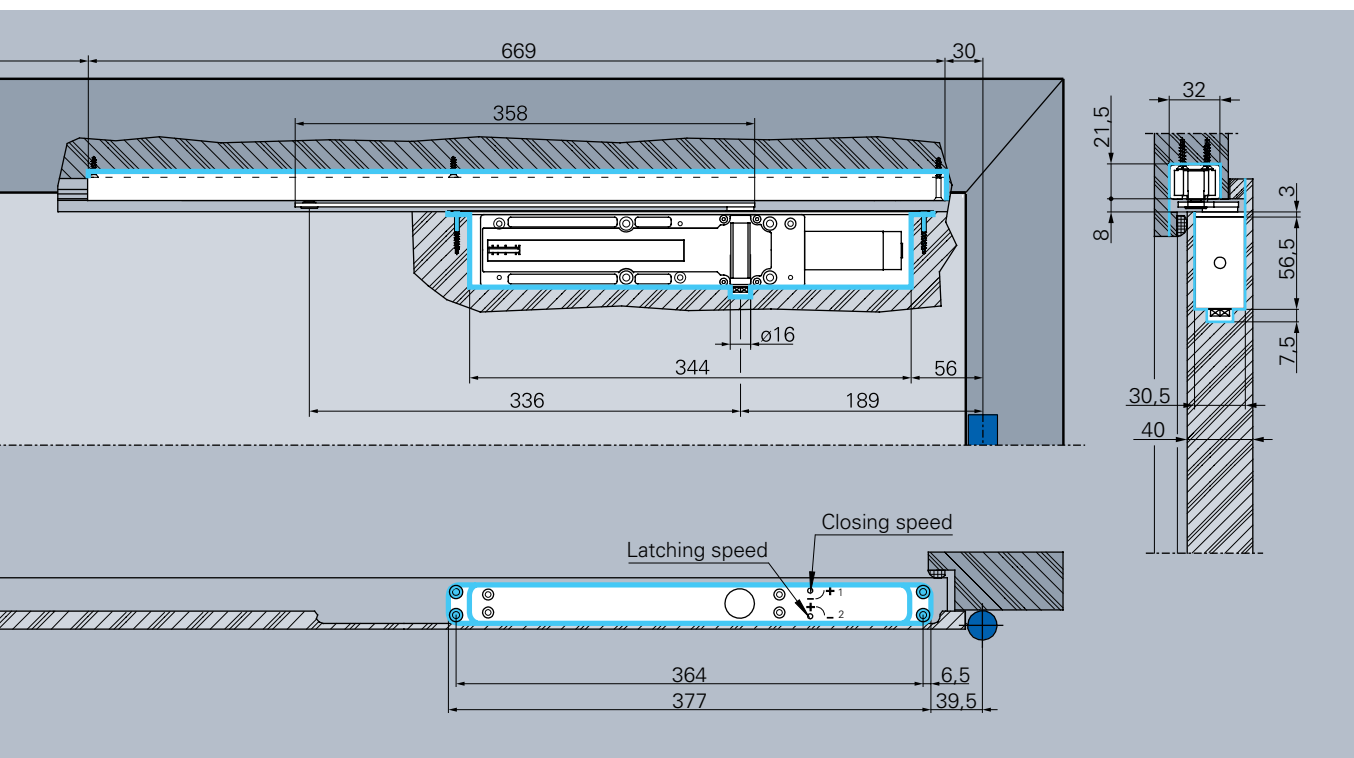
Installation Multi-Genius with slide rail 21,5 x 31 with SR-EF in a wooden door, illustration DIN left, DIN right laterally reversed



Installation Multi-Genius with slide rail 31 x 21 with SR-EF in a wooden door, illustration DIN left, DIN right laterally reversed

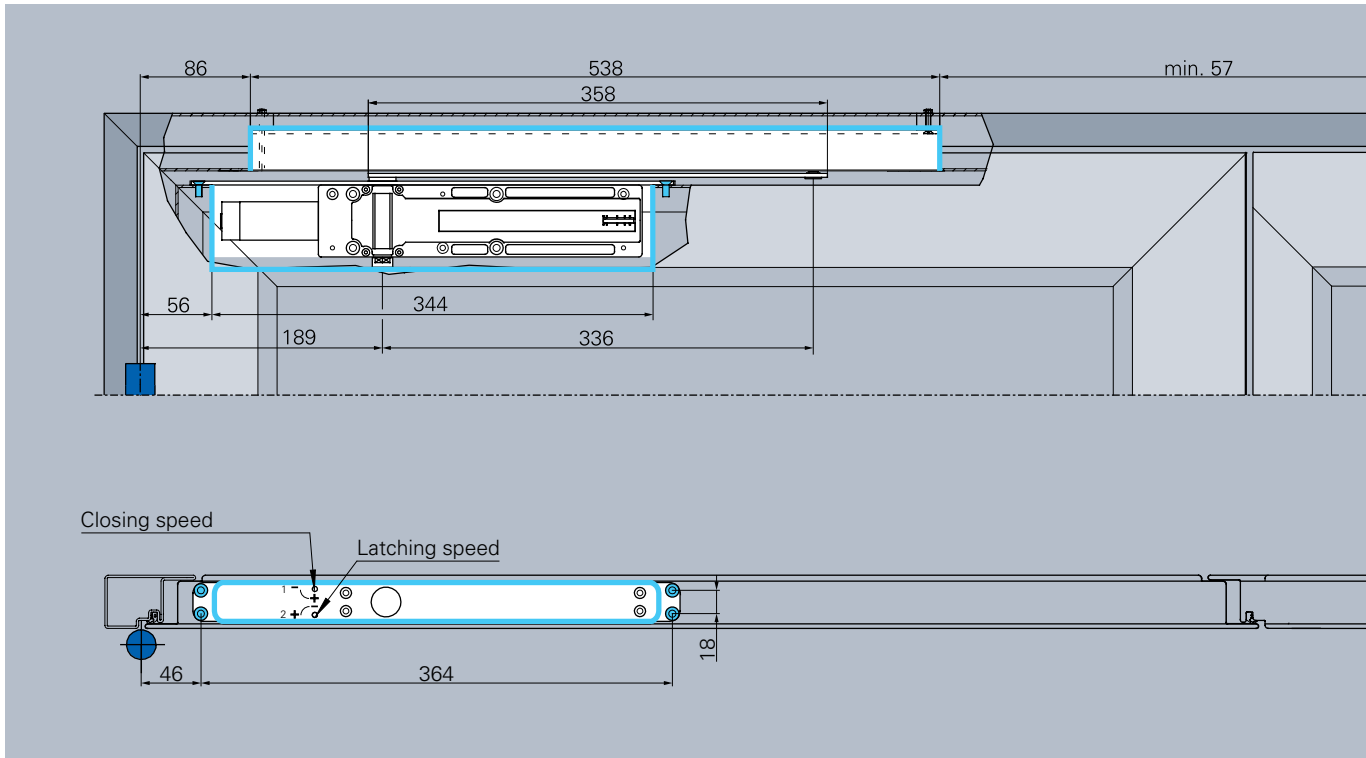


2

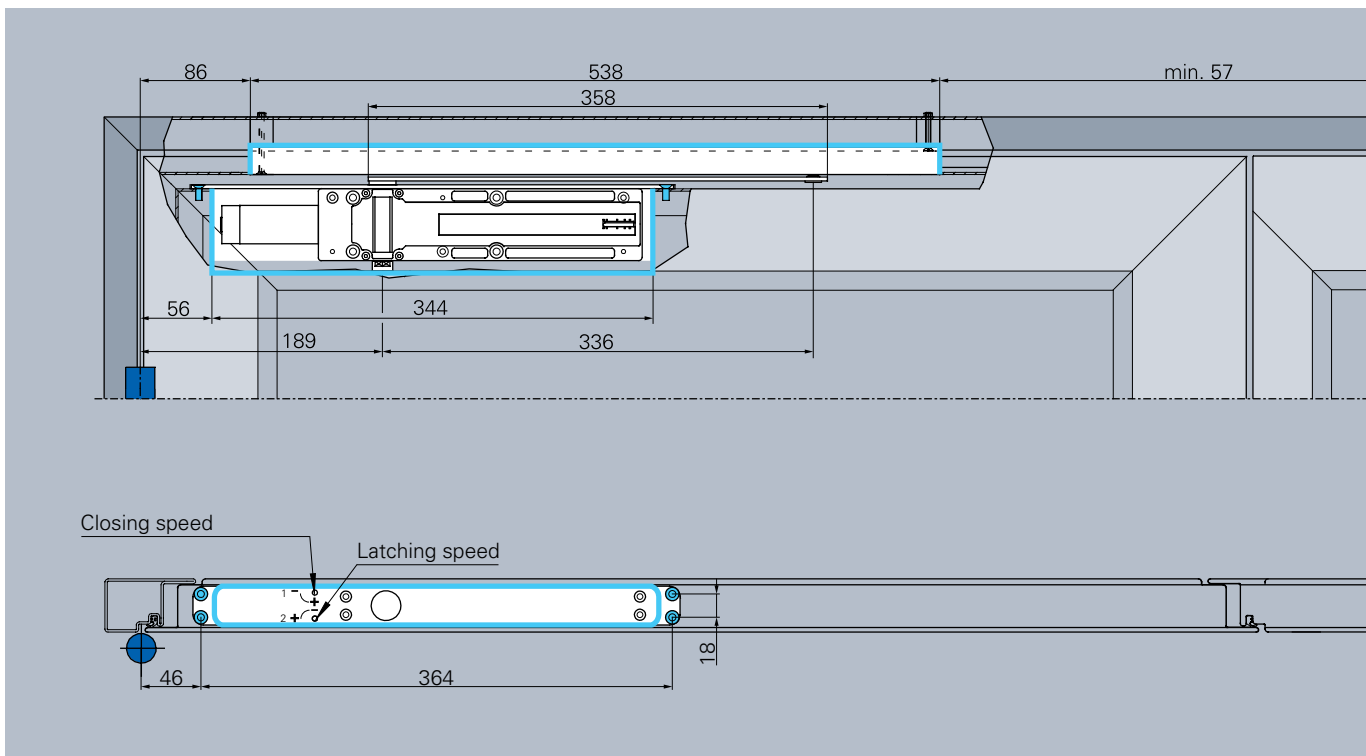


# Installation drawing

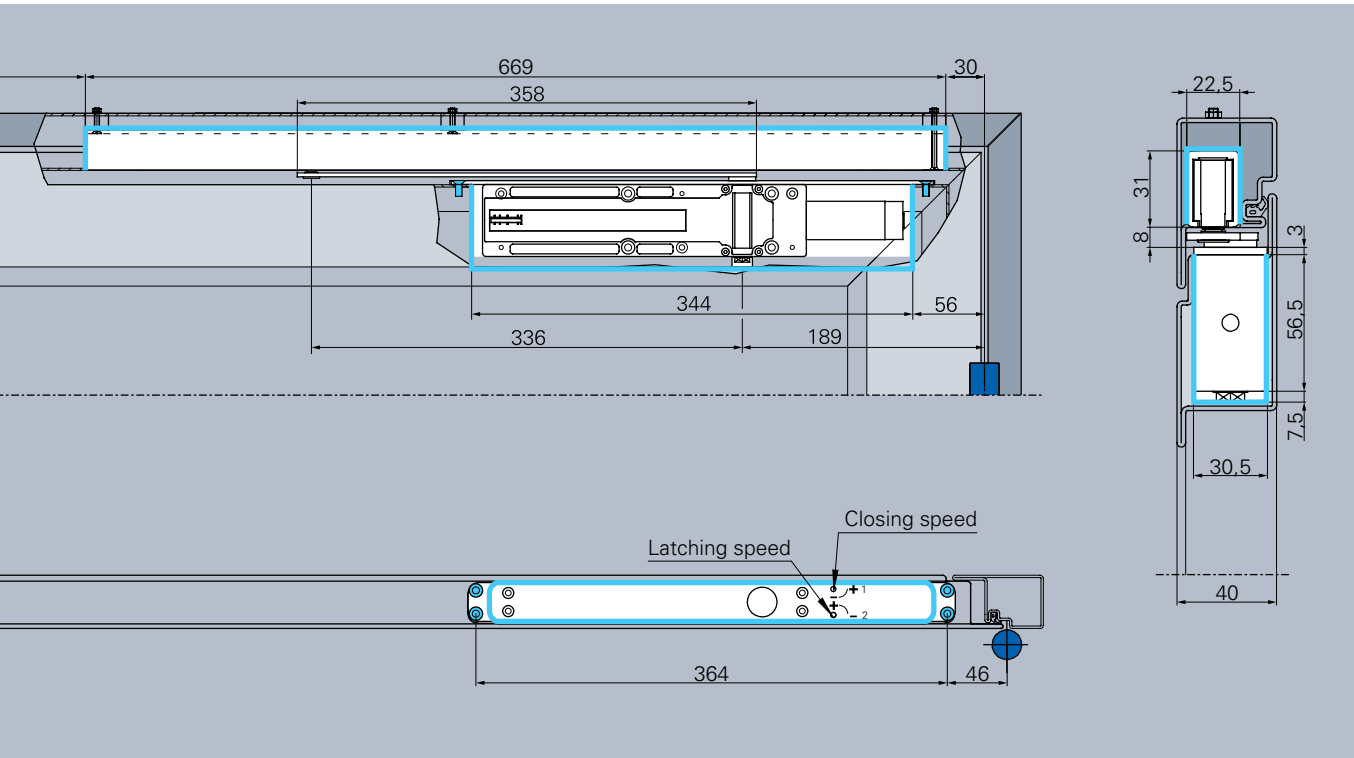
SR-EF in a profile frame door



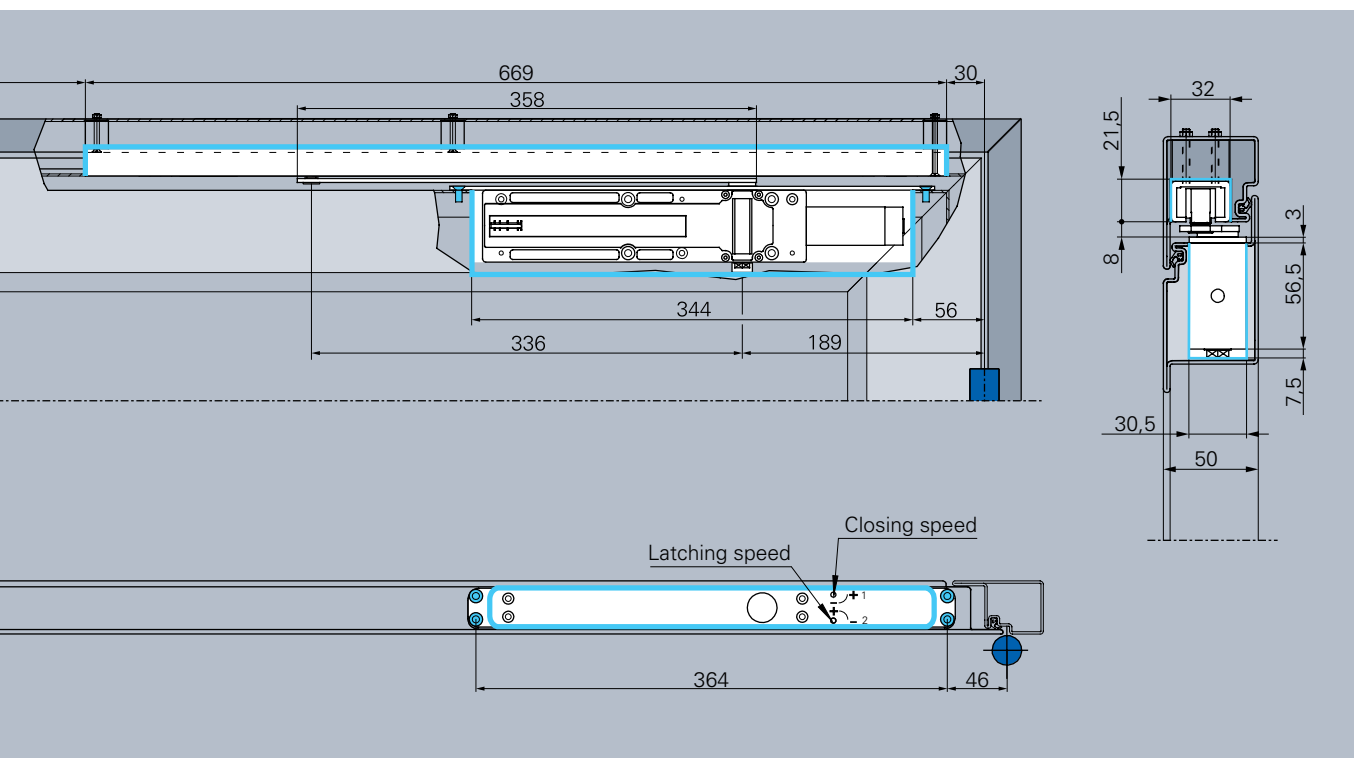
Installation Multi-Genius with slide rail 21,5 x 31 with SR-EF in a profile frame door, illustration DIN left, DIN right laterally reversed



Installation Multi-Genius with slide rail 31 x 21 with SR-EF in a profile frame door, illustration DIN left, DIN right laterally reversed

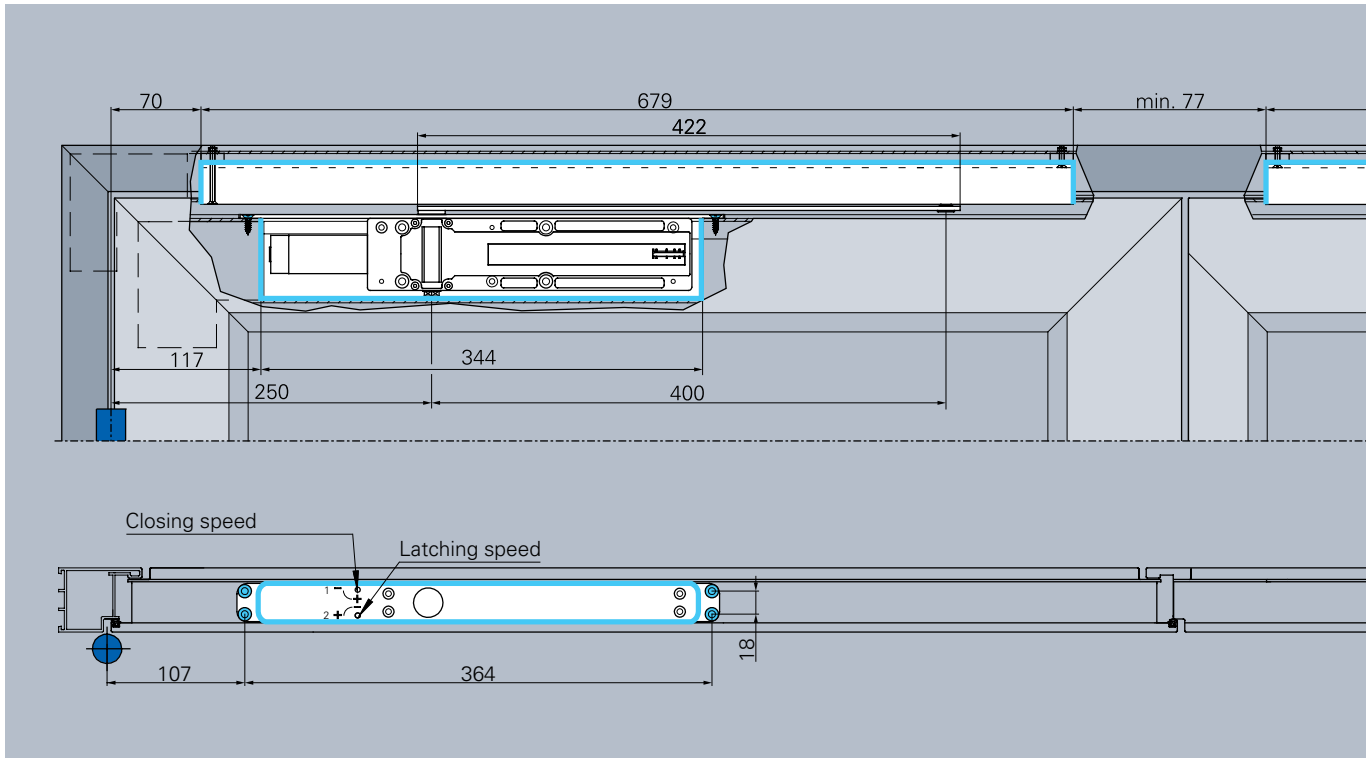


2

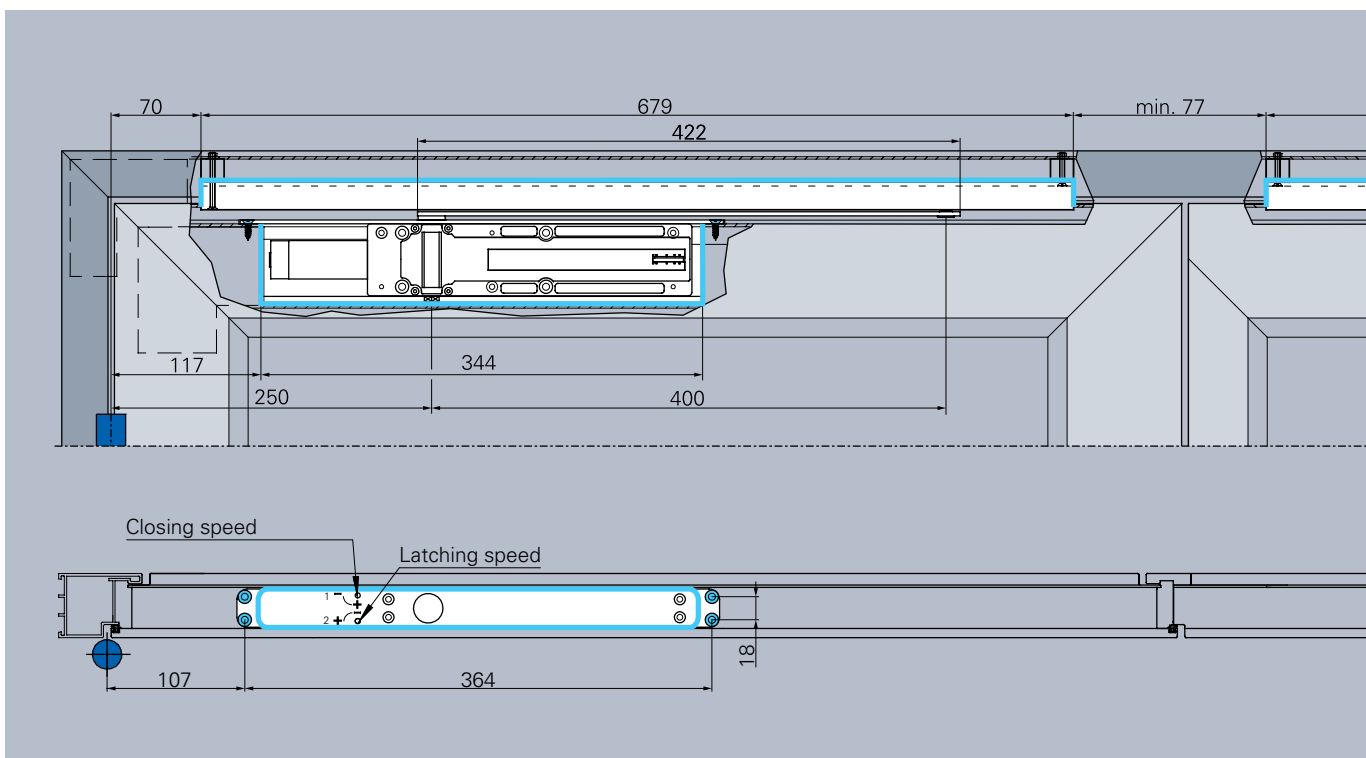


# Installation drawing

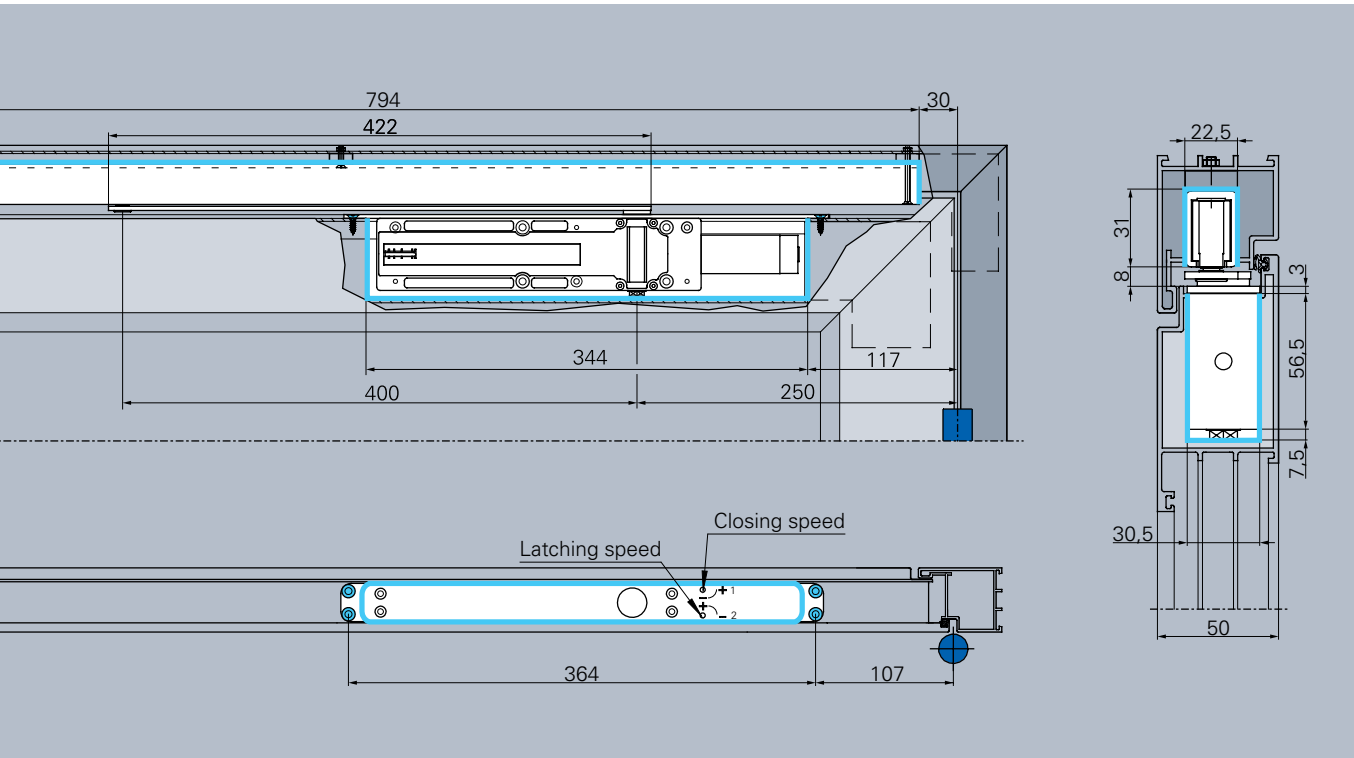
SR-EF in a profile frame door with angle brackets



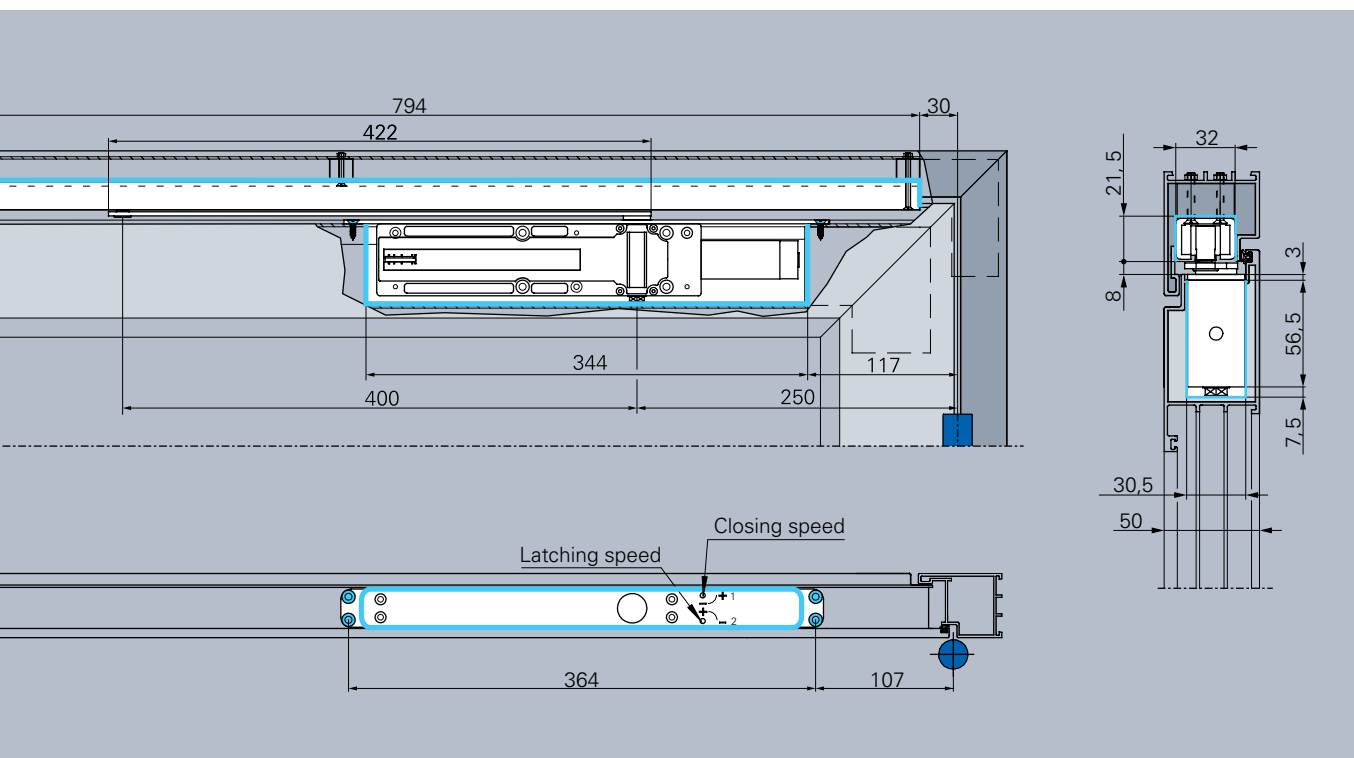
Installation Multi-Genius with slide rail 21,5 x 31 with SR-EF in a profile frame door with angle brackets, illustration DIN left, DIN right laterally reversed



Installation Multi-Genius with slide rail 31 x 21 with SR-EF in a profile frame door with angle brackets, illustration DIN left, DIN right laterally reversed



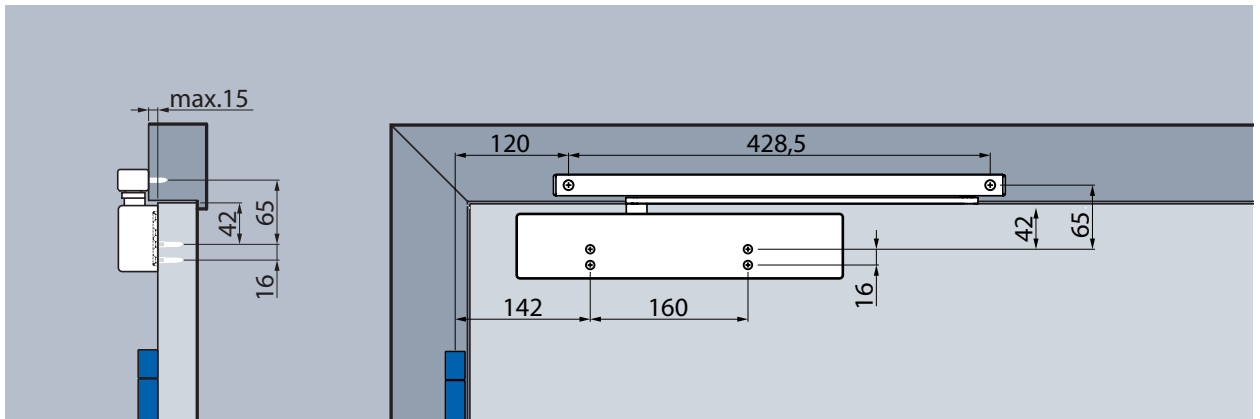
2



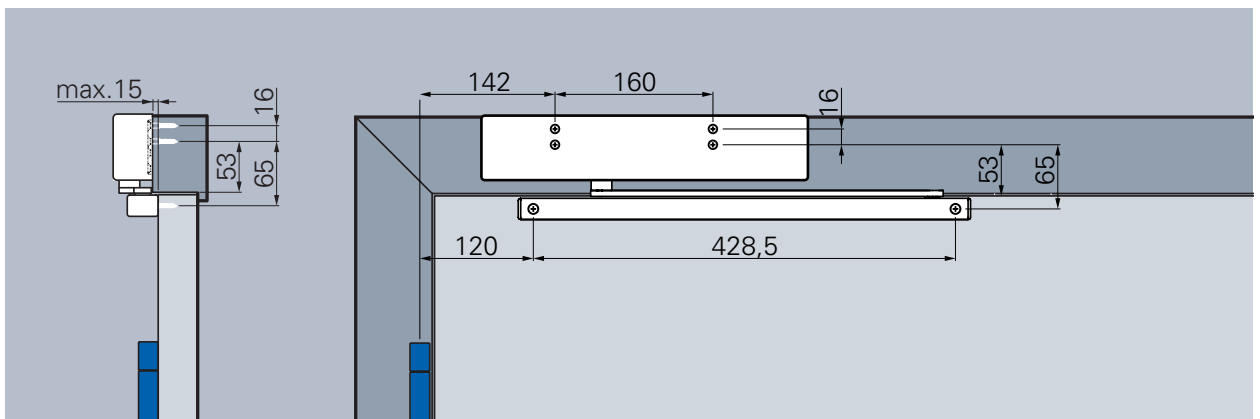


# Hinge side

with slide rail B, illustration DIN left-door, DIN right laterally reversed



Standard mounting, hinge side



Head mounting, hinge side

## Closing speed

Continuously adjustable closing speed from approx. 180° to 0°.

## Latching speed

Increases the closing speed and thus the safe closing of the door, for example to overcome door seals, door locks and high air pressure. Continuously adjustable, works between 7 to 0°

Closing force diagram Multi-Genius, hinge side



### Closing force:

**Continuously adjustable** min. size 1  
max. size 4

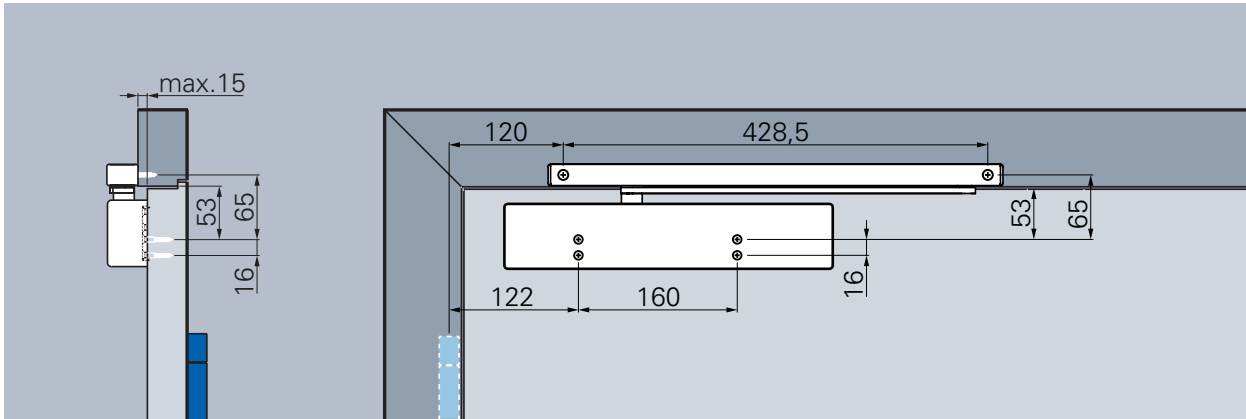
or

**Continuously adjustable** min. size 2  
max. size 5

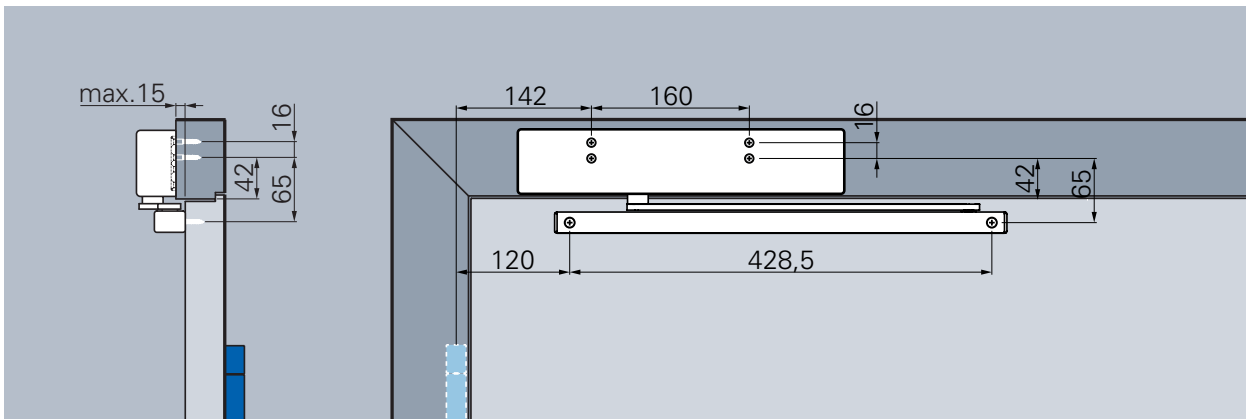
**Default delivery condition:** size 3

# Hinge-opposite side

with slide rail B, illustration DIN right-door, DIN right laterally reversed



Standard mounting, hinge-opposite side



Head mounting, hinge-opposite side (not permitted for fire protection doors)

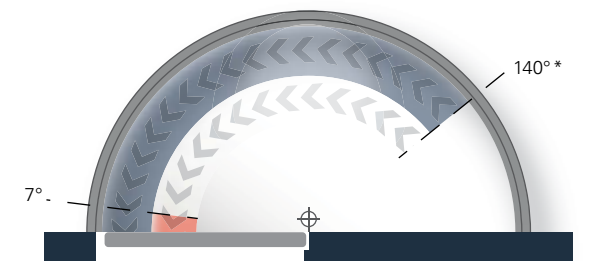
## Closing speed

Continuously adjustable closing speed from approx. 140° to 0°.

## Latching speed

Increases the closing speed and thus the safe closing of the door, for example to overcome door seals, door locks and high air pressure. Continuously adjustable, works between 7 to 0°

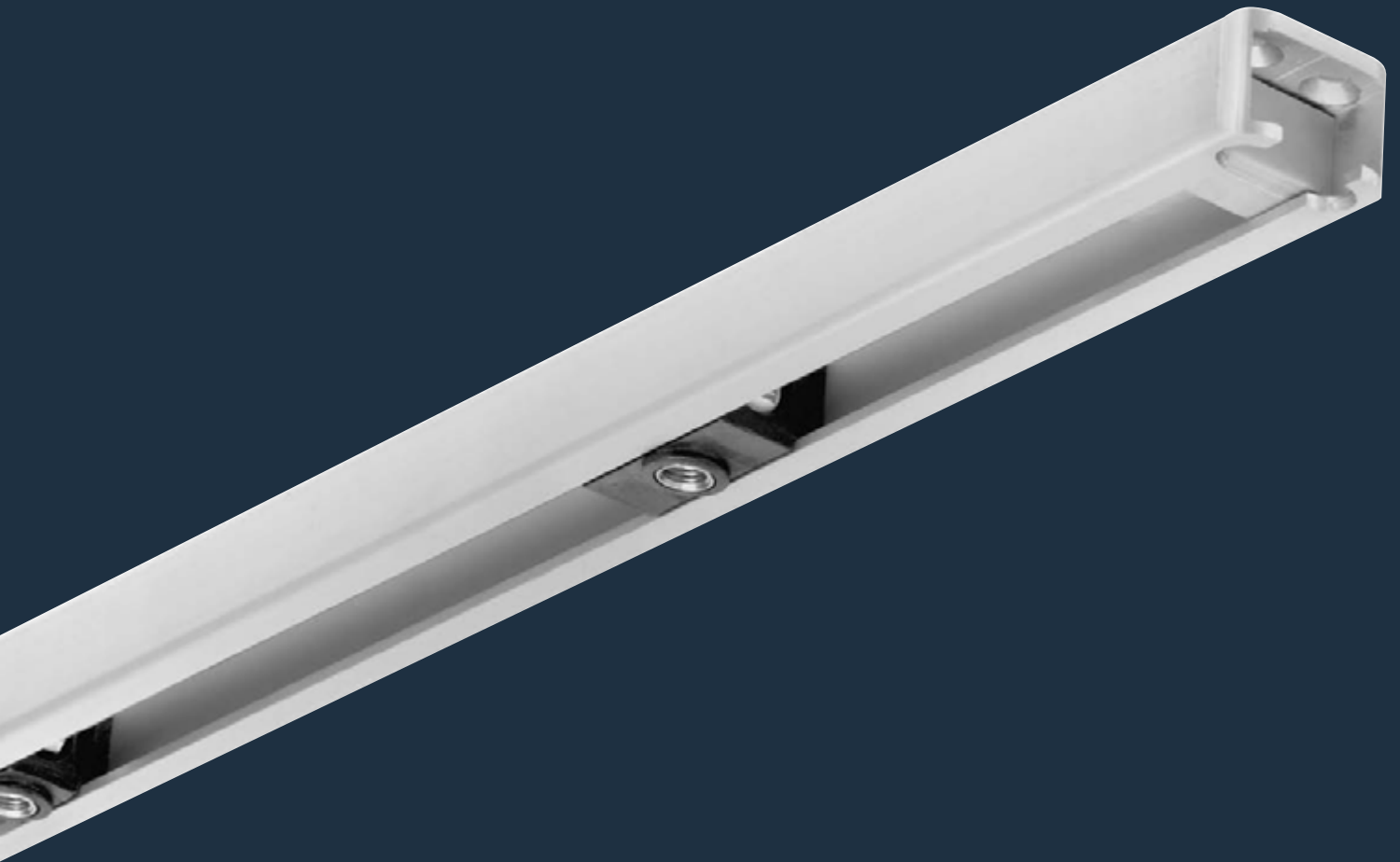
Closing force diagram Multi-Genius, hinge-opposite side

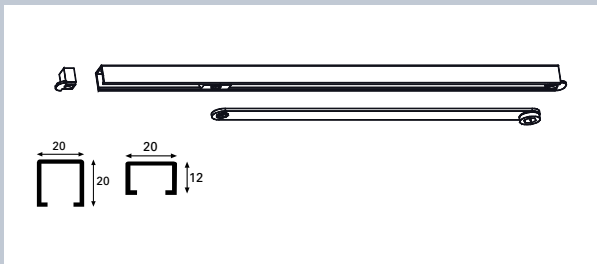


\*Varies according to door thickness and type of hinge

**A door stopper for opening limit is a must!**

# ECO **Multi-Genius** slide rails





**ITS**

**Slide rail ITS**

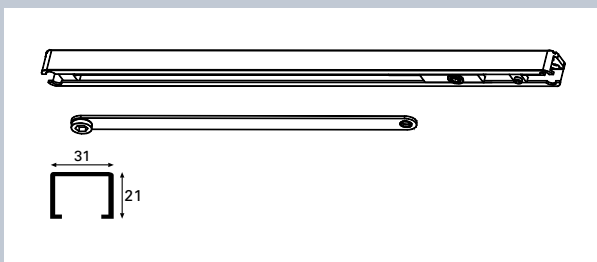
for **ITS Multi-Genius** (concealed door closer)

Same version DIN left and DIN right. Slide rail available in 20 mm or 12 mm height.

Scope of delivery: slide rail ITS, arm, lock plate and fixing accessories.

Slide rail ITS is tested in combination with ITS Multi-Genius according to **EN 1154 A** for the use in fire- and smoke control doors.

Slide rail ITS	Profile	*Counter-flap length x	Article number	Slide rail ITS	Profile	*Counter-flap length x	Article number
<b>ITS 20 8/12</b>	20 x 20 mm	8 - 12 mm	350100000O93000	<b>ITS 12 8/12</b>	20 x 12 mm	8 - 12 mm	350100000O92000
<b>ITS 20 12/16</b>	20 x 20 mm	12 - 16 mm	350100000O93100	<b>ITS 12 12/16</b>	20 x 12 mm	12 - 16 mm	350100000O92100
<b>ITS 20 16/20</b>	20 x 20 mm	16 - 20 mm	350100000O93200	<b>ITS 12 16/20</b>	20 x 12 mm	16 - 20 mm	350100000O92200



Mounting slide rail ITS-MFA

**ITS-MFA**

**Slide rail ITS with mechanic hold-open of the door**

for **ITS Multi-Genius** (concealed door closer)

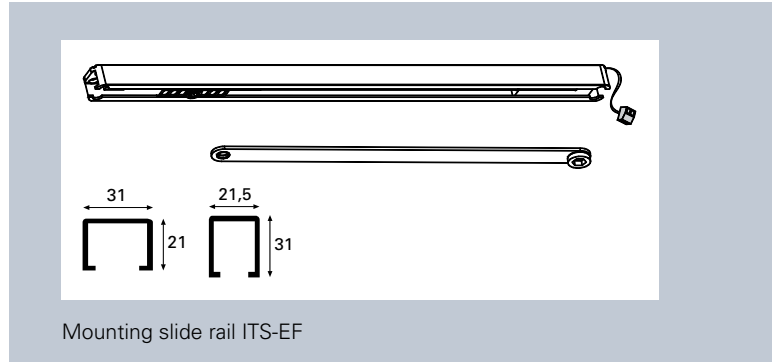
Hold-open can be switched off manually from 70° to 150°. Same version DIN left and DIN right

Scope of delivery: slide rail ITS-MFA, arm, lock plate and fixing accessories.

**Not** approved for fire- and smoke control doors.

Slide rail MFA	Profile	*Counter-flap length x	Article number
<b>ITS MFA 8/12</b>	31 x 21 mm	8 - 12 mm	350100000O94000
<b>ITS MFA 12/16</b>	31 x 21 mm	12 - 16 mm	350100000O94100
<b>ITS MFA 16/20</b>	31 x 21 mm	16 - 20 mm	350100000O94200

**Slide rails for single-leaf doors (concealed mounted)**



**ITS-EF**

**Slide rail ITS with electromagnetic hold-open**  
for **ITS Multi-Genius** (concealed door closer)

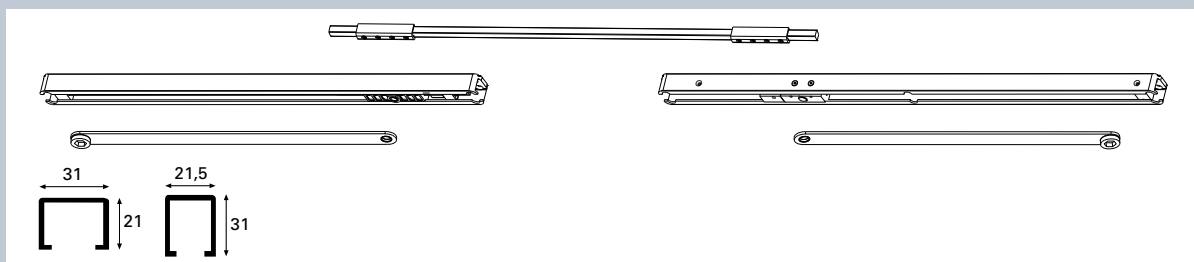
The electromagnetic hold-open is adjustable from 70° to 120°. In case of fire, this hold-open is released and the closing of the door by the door closer is triggered. The hold-open is controlled by an external fire alarm unit or a smoke switch.

Input power 24 V DC, maximum 1,8 W. Same version DIN left and DIN right.

Scope of delivery: slide rail ITS-EF, arm, lock plate and fixing accessories.

The slide rail ITS-EF is tested in combination with ITS MULTI-GENIUS according to **EN 1155** for the use in fire- and smoke control doors. Approved by DIBt.

Slide rail ITS	Profile	*Counter-flap length x	Article number	Slide rail ITS	Profile	*Counter-flap length x	Article number
<b>ITS 31 8/12</b>	31 x 21 mm	8 - 12 mm	350100000097001	<b>ITS 21,5 8/12</b>	21,5 x 31 mm	8 - 12 mm	350100000097001
<b>ITS 31 12/16</b>	31 x 21 mm	12 - 16 mm	350100000097101	<b>ITS 21,5 12/16</b>	21,5 x 31 mm	12 - 16 mm	350100000097101
<b>ITS 31 16/20</b>	31 x 21 mm	16 - 20 mm	350100000097201	<b>ITS 21,5 16/20</b>	21,5 x 31 mm	16 - 20 mm	350100000097201



**ITS-SR**

**Slide rail-Closing sequence selector**

for **ITS Multi-Genius** (concealed door closer)

The closing sequence selector ensures that the door leaves are closing in the correct order. E.g.: the passive leaf first, active leaf last.

When opening the passive leaf, sliding shoes inside the active-leaf slide rail make sure that the active leaf stops as soon as the passive leaf opens.

Scope of delivery: closing sequence selector ITS-SR, 2 x arm, 2 x lock plate and fixing accessories.

The slide rail ITS-SR is tested in combination with ITS MULTI-GENIUS according to **EN 1158** for the use in fire- and smoke control doors. Approved by DIBt.

Slide rail ITS	Profile	*Counter-flap length x	Article number	Slide rail ITS	Profile	*Counter-flap length x	Article number
<b>ITS SR 31 8/12</b>	31 x 21 mm	8 - 12 mm	35M200000AK1401	<b>ITS SR 21,5 8/12</b>	21,5 x 31 mm	8 - 12 mm	35M210000AK1401
<b>ITS SR 31 12/16</b>	31 x 21 mm	12 - 16 mm	35M200000AK1402	<b>ITS SR 21,5 12/16</b>	21,5 x 31 mm	12 - 16 mm	35M210000AK1402
<b>ITS SR 31 16/20</b>	31 x 21 mm	16 - 20 mm	35M200000AK1403	<b>ITS SR 21,5 16/20</b>	21,5 x 31 mm	16 - 20 mm	35M210000AK1403

EN 1155

EN 1158

**ITS-SR-EF**

**Slide rail closing sequence selector with electromagnetic hold-open in door leaf**

for **ITS Multi-Genius** (concealed door closer)

F  
CE

The closing sequence selector ensures that the door leaves are closing in the correct order. E.g.: the passive leaf first, active leaf last.

Electromagnetic hold-open adjustable from 70° to 120°. Hold-open in passive leaf ITS-SR-EF-1S, hold-open in active leaf via SR. In case of fire, this hold-open is released and the closing of the door by the door closer is triggered. The hold-open is controlled by an external fire alarm unit or a smoke switch.

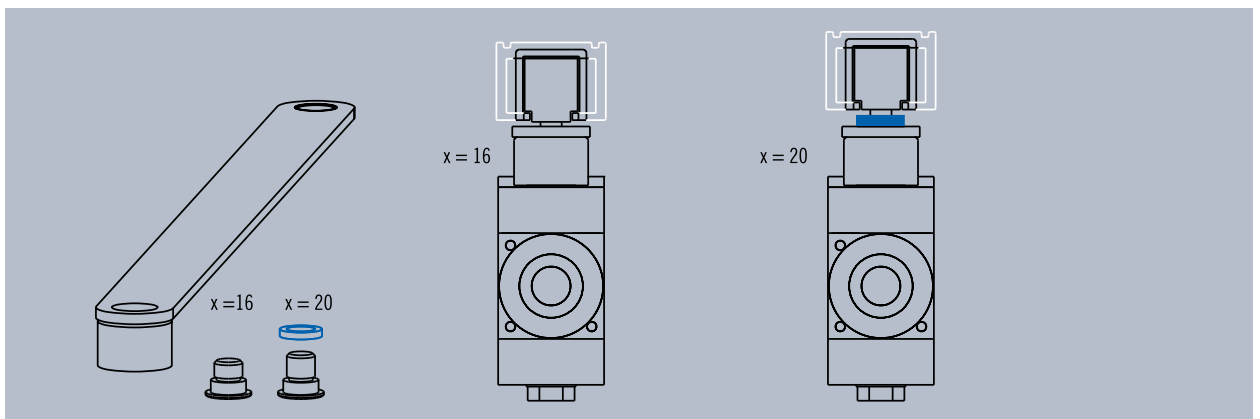
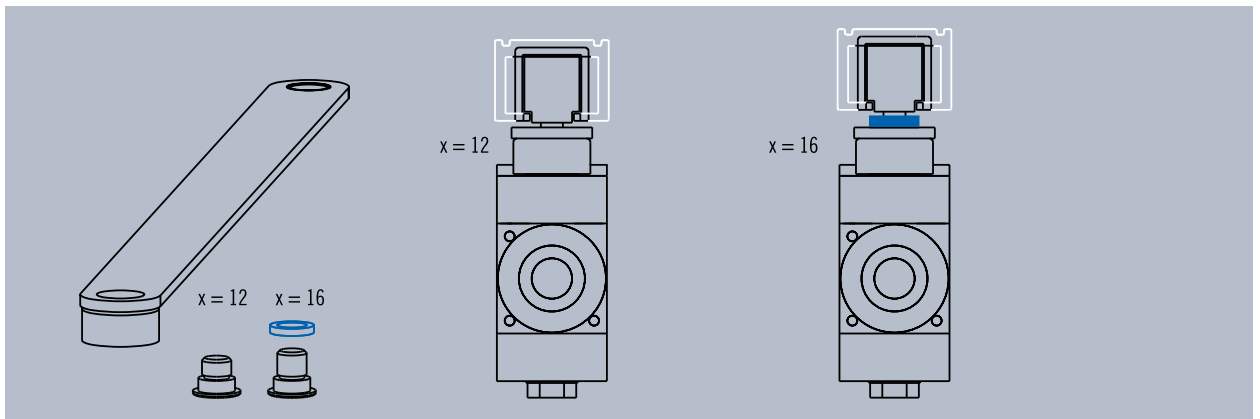
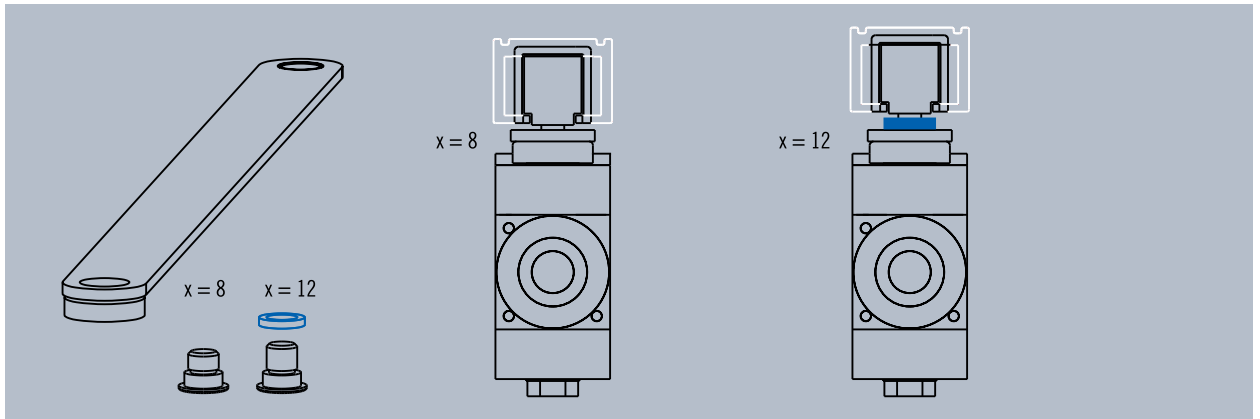
Scope of delivery: closing sequence selector ITS-SR-EF, 2 x arm, 2 x lock plate and fixing accessories.

Input power 24 V DC, maximum 1,8W. Same version DIN left and DIN right.

The slide rail ITS-SR is tested in combination with ITS MULTI-GENIUS according to **EN 1155** and **EN 1158** for the use in fire- and smoke control doors. Approved by DIBt.

Slide rail ITS	Profile	*Counter-flap length x	Article number	Slide rail ITS	Profile	*Counter-flap length x	Article number
<b>ITS 31 8/12</b>	31 x 21 mm	8 - 12 mm	35M200000AK3401	<b>ITS 21,5 8/12</b>	21,5 x 31 mm	8 - 12 mm	35M210000AK3201
<b>ITS 31 12/16</b>	31 x 21 mm	12 - 16 mm	35M200000AK3402	<b>ITS 21,5 12/16</b>	21,5 x 31 mm	12 - 16 mm	35M210000AK3202
<b>ITS 31 16/20</b>	31 x 21 mm	16 - 20 mm	35M200000AK3403	<b>ITS 21,5 16/20</b>	21,5 x 31 mm	16 - 20 mm	35M210000AK3203

# Rebate space measurements



The integrated ITS Multi-Genius door closer system can be used in different door profiles with different rebate space measurements. This is enabled by different counterflap lengths (x) on the arm.

Please mention the correct counterflap length when ordering slide rails for Multi-Genius.



Milleniumtower, Vienna,  
Austria

## **ECO Schulte** **Worldwide trust.**

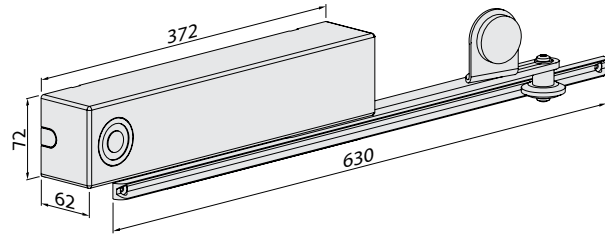
Whether under our own trademark or as an OEM partner product of renowned door manufacturers, solutions from ECO Schulte make doors functional all over the world. Where there's a door, ECO Schulte is not far away.

All over the planet, builders and investors are realizing demanding projects together with architects and planners. Clever solutions for doors are always in demand. Our philosophy of system security and reliability in the door is to be found just as much in contemporary architecture as in impressive hotels, public buildings, private residences, royal castles, private apartments and stadia.

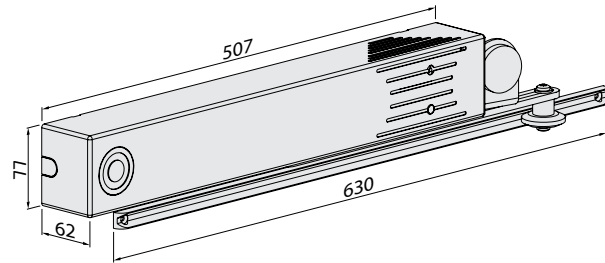




Product characteristics		FTS 63	FTS 63-R
Closing force (continuously adjustable)	Size acc. to EN	2 - 5 (2 - 6)	2 - 5 (2 - 6)
Door width acc. to EN	≤ 1.250 mm	■	■
	≤ 1.400 mm	□	□
Dimensions (incl. mounting plate)	Length in mm	372	507
	Depth in mm	62	62
	Height in mm	72	77
DIN left / right (please order corresponding execution)		■	■
Latching speed (continuously adjustable)		■	■
Back-check (continuously adjustable)		■	■
Closing speed (continuously adjustable)		■	■
Door opening angle	Standard	85° - 115°*	115° - 155°*
	With special arm		
Tested acc. to EN		<b>EN 1155</b>	
Suitable for fire- and smoke control doors		<b>F</b>	
Certified according to EU-Directive		<b>CE</b>	
■ Yes - No □ Option			
*depending on door construction			



Dimensions: FTS-63



Dimensions: FTS-63 R

## ECO FTS-63 / R ■ ... for special applications

With the FTS-63 / R hold-open door closer, ECO Schulte has developed a product for use in special-purpose buildings. Accordingly, the hold-open door closer is used mainly in retirement homes, kindergartens, schools, hospitals and other buildings in which doors have to be opened and closed with as little force as possible.

The FTS-63 / R is designed in such a way that an electromagnet holds the lever arm of the door closer in the open position. This means that the door is separated from the hold-open system, thus guaranteeing the free-running function. In combination with a separate and/or integrated smoke switching system, the magnet is deactivated either automatically or by means of a manual switch when smoke is detected, so that the door closer can assume its normal function and the lever arm closes the door.

FTS-63 / R is available in size 2 - 5 and 2 - 6 (tested acc. to **EN 1155**) for doors with max. 1.400 mm width.



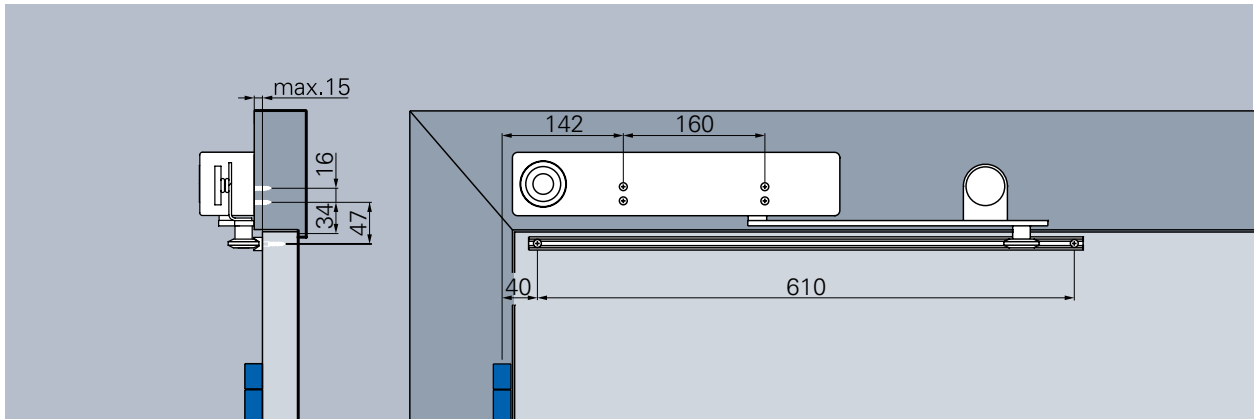
According to the DIBt (German Construction Technology Institute) guidelines for hold-open systems for fire-retarding and smoke protection doors, a red manual switch with the inscription "Close Door" must be installed in a clearly visible, easily accessible place in their immediate proximity. More information on page 179.



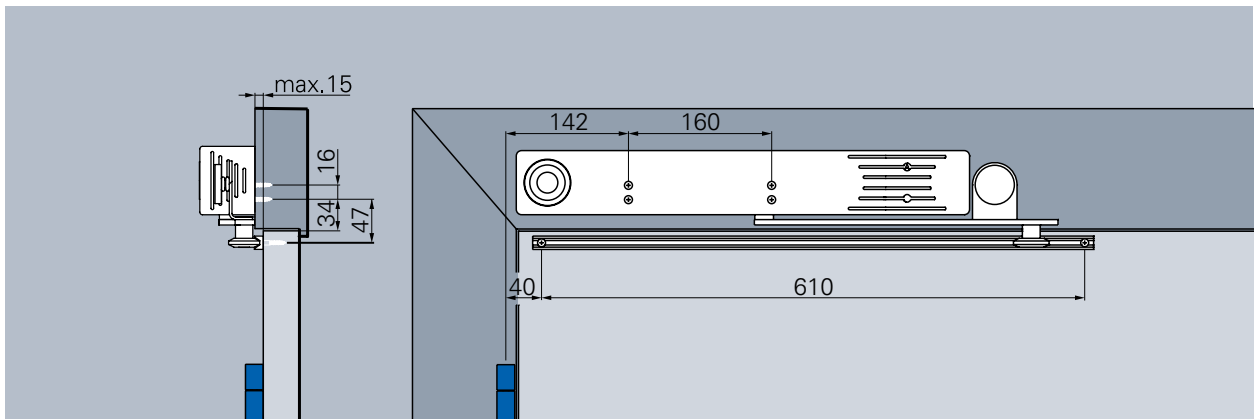
ECO

# Mounting

illustration DIN left-door, DIN right laterally reversed



Standard mounting, hinge side – FTS-63



Standard mounting, hinge side – FTS-63 R

## Closing speed

Continuously adjustable closing speed from 115° to 0°.

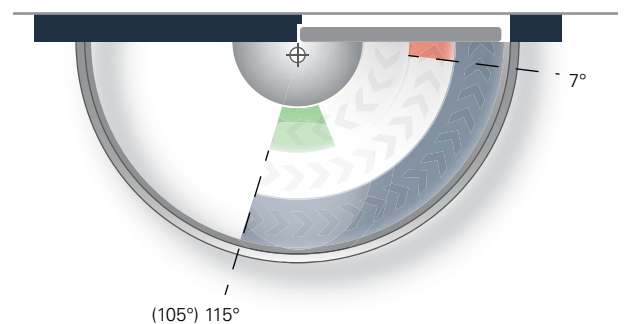
## Latching speed

Increases the closing speed and thus the safe closing of the door, for example to overcome door seals, door locks and high air pressure. Continuously adjustable, works between 7 to 0°

## Back-check

Reduces the opening speed starting at 70° and avoids the slamming of the door. Back-check fixed

Closing force diagram FTS, hinge side



### Closing force:

**Continuously adjustable** min. size 2  
max. size 5

or

**Continuously adjustable** min. size 2  
max. size 6

**Default delivery condition:** size 3



The free-swinging function de-activates closing force, closing speed, back-check and latching speed

# Order information

## ECO FTS-63 / -63 R ■ Product description

### Door closer with free-swinging function ECO FTS 63

- The free-swinging function is activated by locking the arm when opening once
- Opening angle, depending on notch of the door: 85° - 115° (115° - 155° on request)
- External power supply 24 V DC, in order to connect to an external smoke detector
- Closing force, closing speed and latching speed continuously adjustable
- Head-mounting on pull side, slide rail on door leaf (optional)
- Adaptor profiles for special structural conditions available

### Door closer with free-swinging function ECO FTS 63 R

- The free-swinging function is activated by locking the arm when opening once
- Integrated smoke detector
- Opening angle, depending on notch of the door: 85° - 115° (115° - 155° on request)
- Power supply 230 V AC
- Closing force, closing speed and latching speed continuously adjustable
- Head-mounting on pull side, guiding rail on door leaf
- Adaptor profiles for special structural conditions available



According to the rules for hold-open devices of the DBIt, an interrupt button stating „Close door“ (red) has to be placed nearby, visible and freely accessible when using the free-swinging door closer. For further information, please refer to page 179.

## FTS-63 / R



Door closer without smoke switch	Colour	DIN	Article number	Door closer without smoke switch	Colour	DIN	Article number
FTS-63 (2-5)	Stainless steel satin	DIN L	306113AB5Q05001	FTS-63 (2-6)	Stainless steel satin	DIN L	306113CB5Q05001
FTS-63 (2-5)	Stainless steel satin	DIN R	306113AB5Q06001	FTS-63 (2-6)	Stainless steel satin	DIN R	306113CB5Q06001



Door closer with smoke switch	Colour	DIN	Article number	Door closer with smoke switch	Colour	DIN	Article number
FTS-63 R (2-5)	Stainless steel satin	DIN L	306113AB5Q05011	FTS-63 R (2-6)	Stainless steel satin	DIN L	306113CB5Q05011
FTS-63 R (2-5)	Stainless steel satin	DIN R	306113AB5Q05012	FTS-63 R (2-6)	Stainless steel satin	DIN R	306113CB5Q05012

ECO **BTS**

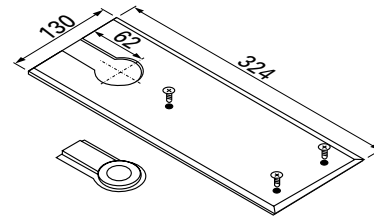
**SWISSDOOR**  
DØRTEKNIK FOR PROFESSIONELLE



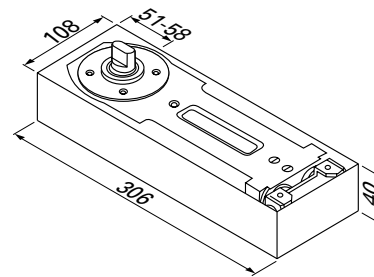
**Product characteristics**

Closing force (with closing force display, continuously adjustable)	Size acc. to EN	3	4
Door width acc. to EN	≤ 950 mm	■	■
	≤ 1100 mm	-	■
Door weight acc. to EN	max. in kg	105	150
	Dimensions (incl. mounting plate)	Length in mm Depth in mm Height in mm	306 108 40
Latching speed (adjustable)		■	■
Back-check (adjustable)		□	□
Closing speed (adjustable)		■	■
Hold open 90° or 105° Not fire proved (continuously adjustable)		□	□
DIN left / right		■	■
Door opening angle		130°	
Tested acc. to EN		<b>EN 1154 A</b>	
Suitable for fire- and smoke control doors (no permission when using with hold-open)		<b>F</b>	
Certified according to EU-Directive		<b>CE</b>	

- Yes
- No
- Option



Dimensions: Cover



Dimensions: Cement case

**ECO BTS ■ ... flattens itself!**

The BTS-FH floor door closer is distinguished by its particularly flat design which makes it the ideal door closer for single-leaf latching and swinging doors. The overall height of only 40 mm enables easy installation.

The BTS-FH is available in size 3 and size 4. It is tested acc. to **EN 1154 A** and therefore meets all requirements.



For the use on solid glass doors you need the respective fittings. You can get more information in the chapter "Glass door fittings".



# Order information

## ECO BTS ▪ Product description

### Floor spring ECO BTS

Door closer for single-leaf single action doors / double swing door. Installation in the floor incl. accessory set containing

- ① slide rail for metal and wooden doors
- ② reception for pivot hinge
- ③ adjustable pivot hinge
- ④ cement case
- ⑤ and cover made of stainless steel

- Dimensions: 306 / 108 / 40 mm
- Closing force: 3 or 4, not adjustable
- Back-check: optional, adjustable
- Closing speed: adjustable
- Latching speed: adjustable
- Opening angle: 130°
- Hold-open as option, 90° or 105°

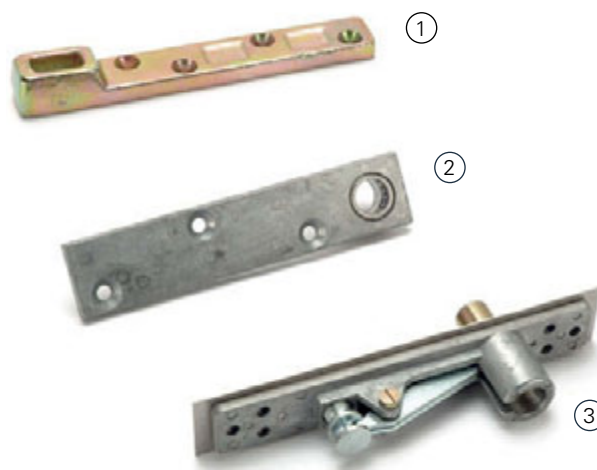


Illustration: Accessory sets

## Article numbers

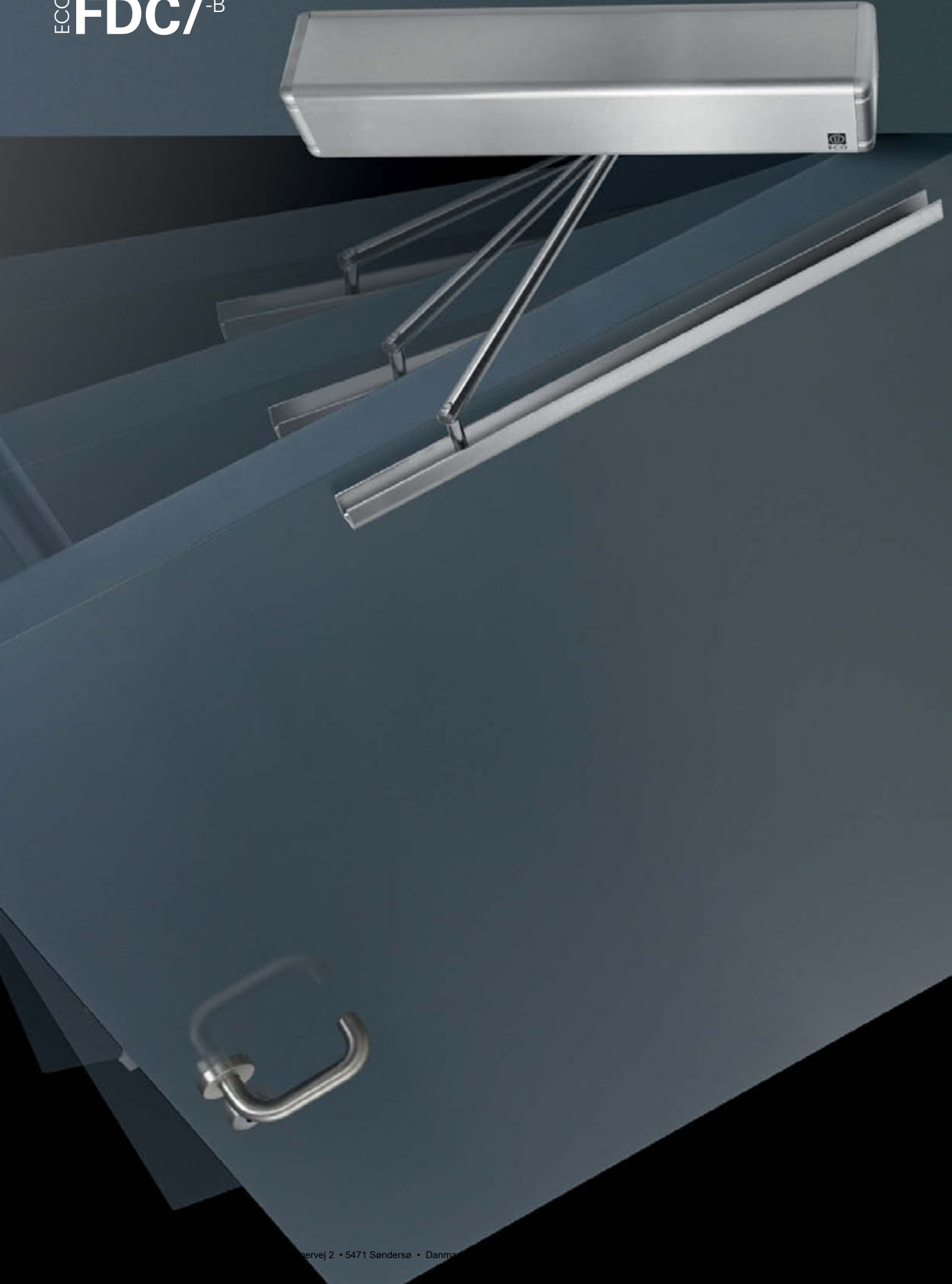


Door closer with- out back-check	Hold-open	Article number	Door closer with back-check	Colour	Article number
FH 843 (3)	Without hold-open	48000O00000			
FH 843 (3)	Hold-open 90°	48000O00001	FH 843 (3)	Hold-open 90°	48000O00003
FH 843 (3)	Hold-open 105°	48000O00002	FH 843 (3)	Hold-open 105°	48000O00004
FH 844 (4)	Without hold-open	48000O20000			
FH 844 (4)	Hold-open 90°	48000O20001	FH 844 (4)	Hold-open 90°	48000O20003
FH 844 (4)	Hold-open 105°	48000O20002	FH 844 (4)	Hold-open 105°	48000O20004



ECO **FDC/-B**

**SWISSDOOR**  
DØRTEKNIK FOR PROFESSIONELLE



## Product characteristics

		FDC	FDC-B
Closing force (continuously adjustable)	Size acc. to EN	3 – 6	4 – 6
Door width acc. to EN	< 1.400 mm	■	-
	Fire protection doors < 1.400 mm	-	■
Dimensions (incl. mounting plate)	Length in mm	530	530
	Depth in mm	104	104
	Height in mm	100	100
Hinge side with slide rail		■	-
Hinge-opposite side with standard arm		■	■
DIN left / right		□	□
Opening speed adjustable		■	■
Closing speed adjustable when mains operated, fixed when power failure		■	■
Hold-open time adjustable		1 – 30s	
Driving power adjustable		■	■
Door opening angle		70° - 105°	
TÜV-certified		DIN 18650	
■ Yes - No □ Option	Suitable for fire- and smoke control doors	-	F
Certified according to EU-Directive		CE	



Dimensions: FDC / -B

## ECO FDC / -B ■ Opened by an electric motor - Controlled closure

Opened by an electric motor - controlled closure via a spring mechanism. The integrated damper unit stops the door from slamming shut. Automated door closure helps keep out airborne dust, wind gusts, odours and noise. If there is a power cut, the door can be closed by means of its spring mechanism from any position. The use of top quality components guarantees optimum performance and extended product life with minimal maintenance.

ECO FDC / -B Swing-door drive units are ideal both for new installations and building upgrades. The wide range of functions creates user-friendly access, while providing individual configuration of operating functions. Lightweight doors, heavy gates and even fire-rated doors can be automated without difficulty.

Power is intelligently harnessed in order to monitor the system and provide smooth operation with maximum reliability and security. Safety and security elements can include, depending on the building design, light barriers (photoelectric cells) or light scanners. Our drive mechanism is designed for the convenient, automatic operation of standard doors, and can be supplied with reliable fire-protection options when used to operate fire-rated doors. Safety sensors with configurable functions "Reverse" and "Stop" functions offer additional protection at the pinch points and in the event of oncoming traffic.

**Risk elimination through planning**

Together with the customer, ECO Schulte conducts a joint risk assessment (under consideration of the door user group and specific construction situation) in accordance with the standard DIN 18650 which describes the technical safety requirements for automatic door systems. This then forms the basis for the selection of various safety and security measures. Risk assessment is carried out during the planning phase so that the automatic door system can be installed and operated safely and reliably.

# Order information

## ECO FDC / -B ■ Product description

### Safe and reliable opening and closing

#### Technical specifications: FDC

Main supply	230V, 50Hz, 13A
Motor power consumption	<100W
Ambient temperature	-15 to +70°C
Use in dry rooms	max. relative air humidity 65%
Door opening angle	70 –105°
Opening speed	adjustable
Closing speed	adjustable with mains operation, fixed if there is a power failure
Hold-open time	1 — 30 sec (adjustable)
Driving power	adjustable
TÜV-certified	acc. to DIN 18650
Dimensions	530x100x104mm
Weight incl. standard arm	11,3 kg

#### Basic planning data

	FDC	FDC-B for fire-rated doors
Door panel width	max. 700 — 1400mm	max. 900 — 1400mm
Activ range	Doors EN 3 — 6	Doors EN 4 — 6
Opening and closing	Motor-actuated opening, closure by spring force. The spring provides improved closing power to reinforce the shutting action.	
Function «Closing»	The door closes under full control by spring action from any position (self closure if power fails).	If a fire alarm or power cut is activated, the door closes under full control from any position by means of spring action.

#### A range of individual extra functions is also available:

- Reinforced closure
- Push and go function
- Adjustable opening width
- Safety monitoring with automatic stop/reverse mechanism
- Progressive regulation of opening and closing speed, hold-open time and motor power
- Optical/acoustic signal during movement of door mechanism
- Automatic closing sequence control for two-winged (bi-parting) systems
- Dry contact for further processing of information at a central building control point, or the connection of an electric lock, door open/shut signal, error display

### Article numbers



Swing-door drive unit without arm	Colour	Article number
FDC	Silver RAL 9006	358500547100000
FDC-B	Silver RAL 9006	358500547101000



Please order safety elements which offer additional protection at squeezing points and for opposing traffic separately. Infrared **sensor strips acc. to DIN 18650!** Please refer to page 181 for more information.





A joint casing for both drive units is available as an optional extra.

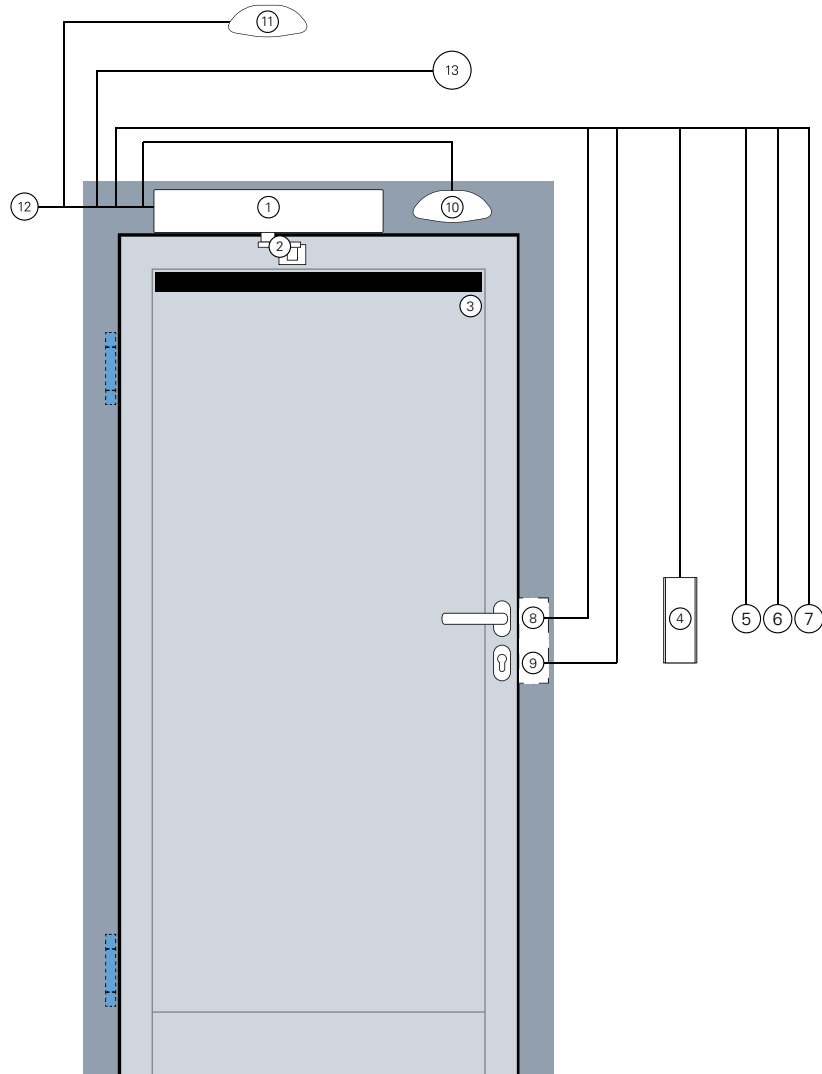
## **ECO FDC / -B**

### **The convenient, high-performance solution.**

Automation considerably enhances the user comfort of a traditional, manually-operated door. The flow of pedestrian traffic is increased. Cumbersome, difficult-to-open doors bECOMe much easier to use. A motion detector can be used to provide contact-free access. Reliable door closure prevents a loss of valuable heated or cooled air in the building, resulting in large energy savings. The swing-door drive unit supports management functions such as controlled access and fire safety. Movement is monitored by a series of standard and norm compliant safety elements.

Wherever people work, travel, live, are cared for or congregate, there is a need for doors to facilitate their comings and goings. The automation of doors offers smooth access with unobstructed entry and exit. These drive mechanisms are ideal for use in public buildings, hospitals, hotels, airports, and industrial and commercial premises.

# Cable plan FDC-B



Pos.	Product, safety and handling elements	Description cable information
1	ECO FDC-B hinge-opposite side incl. mounting plate, mounting acc. to EN	3 x 1,5 mm <sup>2</sup> to Pos.12
2	Standard arm, hinge-opposite side	
3	Sensor strip, hinge-opposite side, revers	Cable by ECO, cable channel by building contractor
3.1	Sensor strip, BS, Stop	Cable by ECO, cable channel by building contractor
4	Flip switch inside, with surface-mounted socket	4 x 0,8 mm <sup>2</sup>
4.1	Flip switch outside, with surface-mounted socket	4 x 0,8 mm <sup>2</sup>
5	Key sense switch	4 x 0,8 mm <sup>2</sup>
6	Push button "Door close"	4 x 0,8 mm <sup>2</sup>
7	Bedis - sense switch with LED display	4 x 0,6 mm <sup>2</sup>
8	Electric opener	4 x 0,8 mm <sup>2</sup>
9	Dead bolt switch contact	4 x 0,8 mm <sup>2</sup>
10	Switch ORS 142 W	4 x 0,8 mm <sup>2</sup>
11	Celling switch ORS 142, inside	4 x 0,8 mm <sup>2</sup>
11.1	Celling switch ORS 142, outside	4 x 0,8 mm <sup>2</sup>
12	Home office socket	3 x 1,5 mm <sup>2</sup> 230 V, 50 Hz, 13A
13	Radar OKI (inside)	
13.1	Radar OKA (outside)	

# Assembly FDC

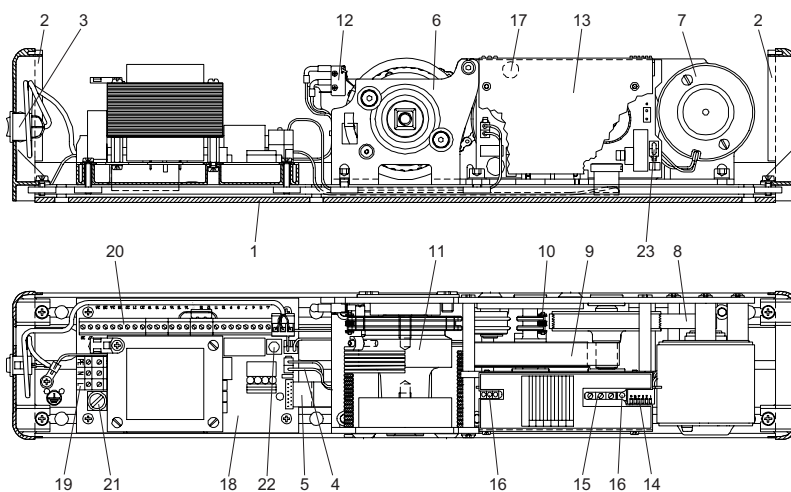


2

## Assembly of ECO FDC

Connector block

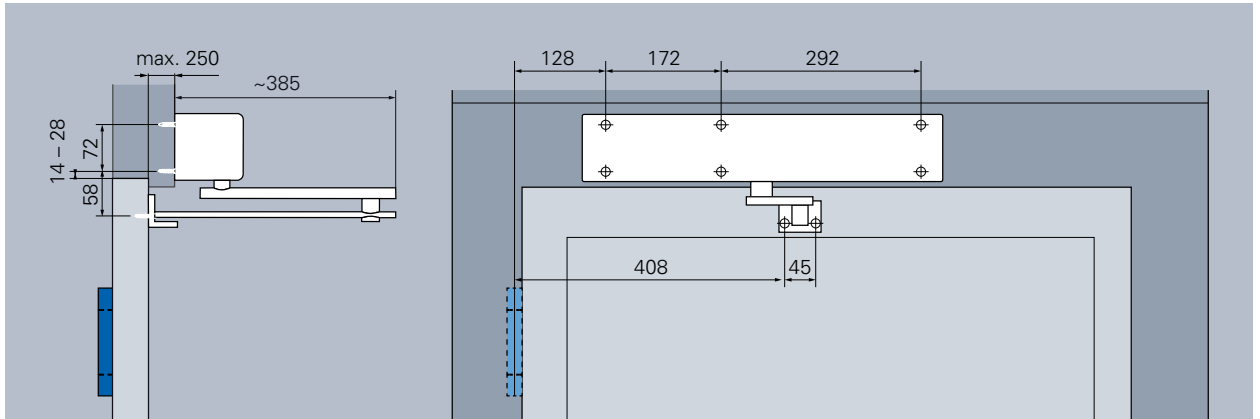
Drive unit



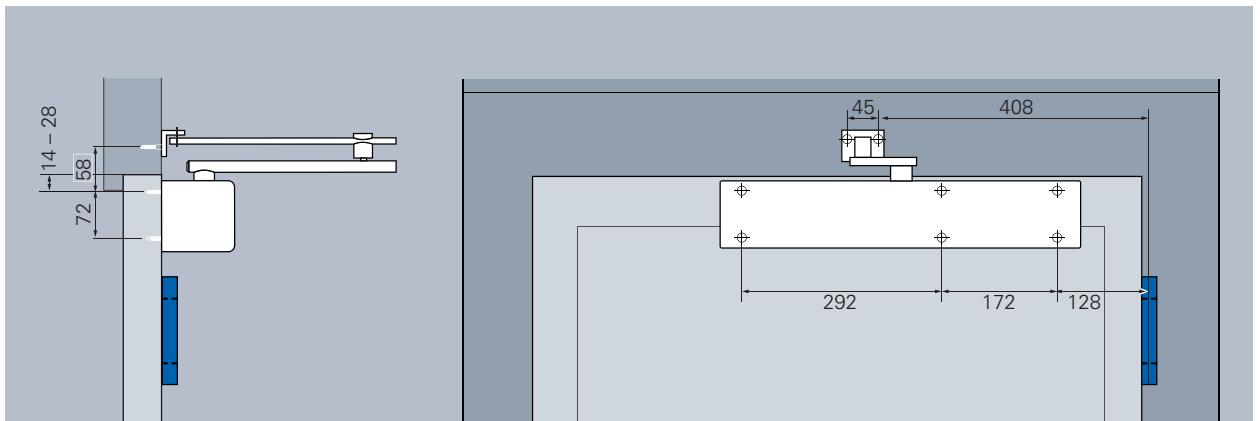
- 1 Chassis
- 2 Side cover
- 3 Sense switch 1-0-2
- 4 Power cable
- 5 Logic cable
- 6 Drive unit
- 7 DC motor with interference electronic
- 8 Poly-V-belt transmission
- 9 Synchronous belt transmission
- 10 Linkage transmission
- 11 Driven shaft
- 12 Door surveillance switch
- 13 Controller (with Logic-Servo-Unit LOSE)
- 14 DIL switch
- 15 Potentiometer
- 16 Light-emitting diode (status indicator)
- 17 Signal buzzer
- 18 Connector block
- 19 Clamp
- 20 Clamps for operation and safety elements
- 21 Fine-wire fuse 1 AT, 5 x 20 mm
- 22 Reset button
- 23 Plug (mechanical closing)

# Mounting drawing FDC

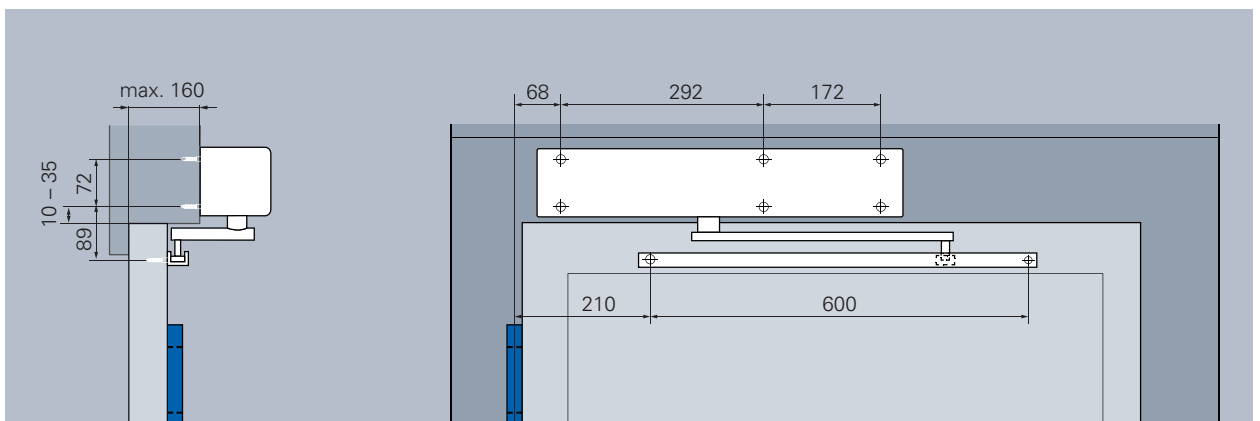
single-leaf door, illustration DIN right-door, DIN left laterally reversed



Installation on door frame with standard arm on hinge-opposite side for single-leaf doors (FDC, pushing)



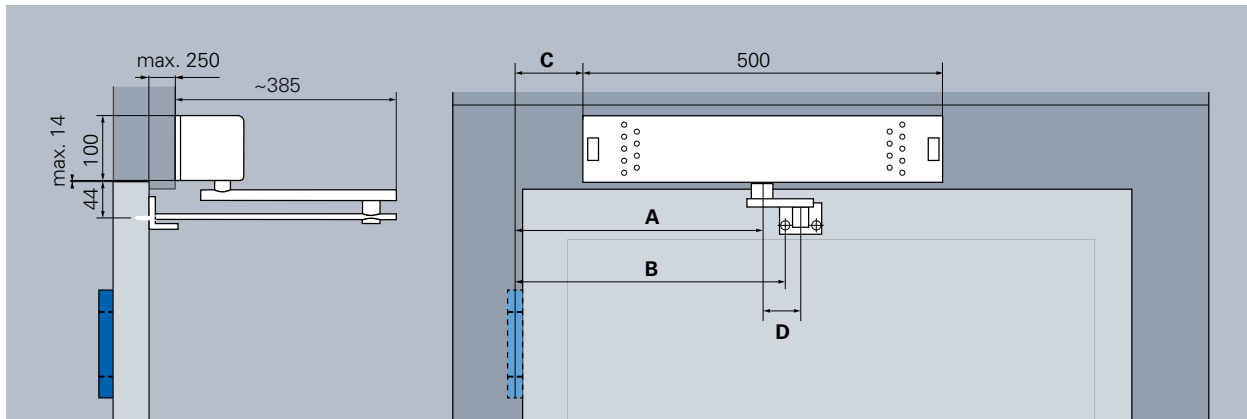
Installation on door leaf with standard arm on hinge-side for single-leaf doors (FDC, pushing)



Installation on door frame with slide rail on hinge-side for single-leaf doors (FDC, pulling)

# Mounting drawing FDC-B

single-leaf door, illustration DIN right, DIN left laterally reversed

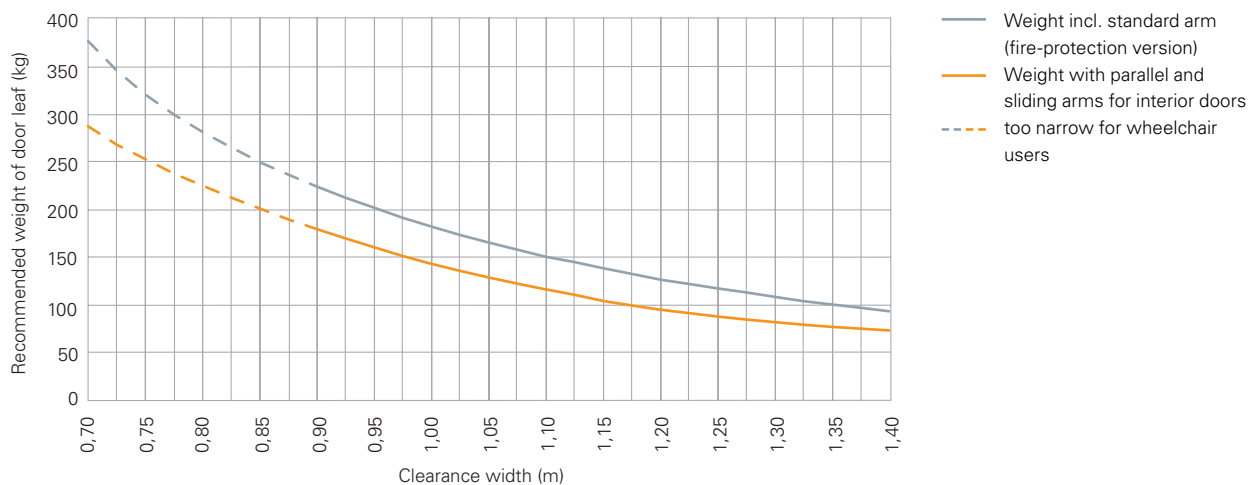


Installation on door frame with standard arm on hinge-opposite side for single-leaf doors (FDC, pushing) F

Please refer to following table in order to check for the corresponding closing force:

EN	Door width	A	B	C	D
EN 4	950 – 1.100 mm	265	378	15	135
EN 5	1.101 – 1.250 mm	285	348	35	85
EN 6	1.251 – 1.400 mm	374	413	124	61

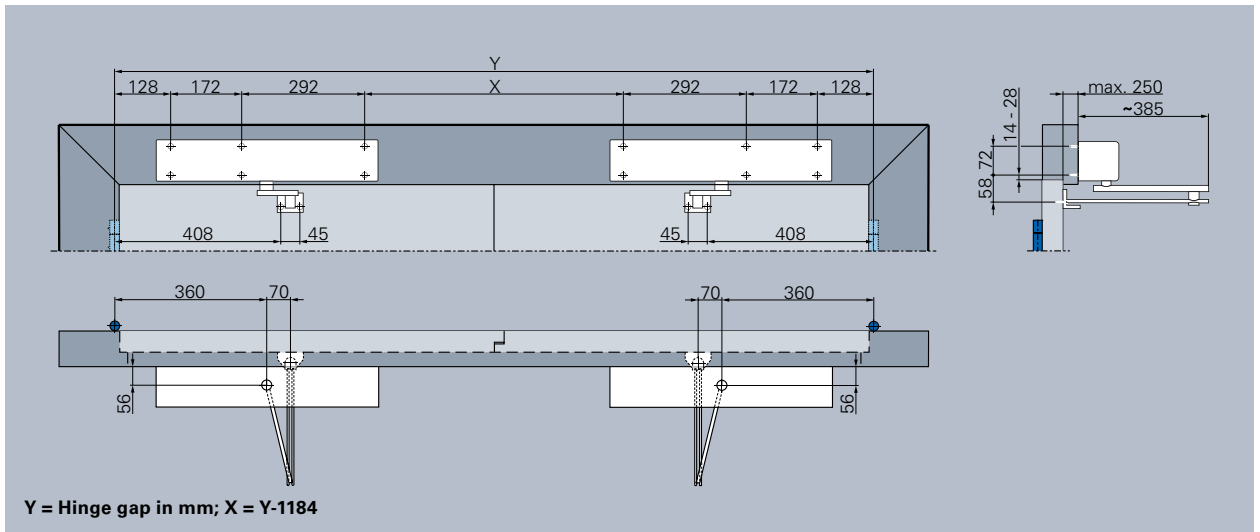
## Range of application FDC



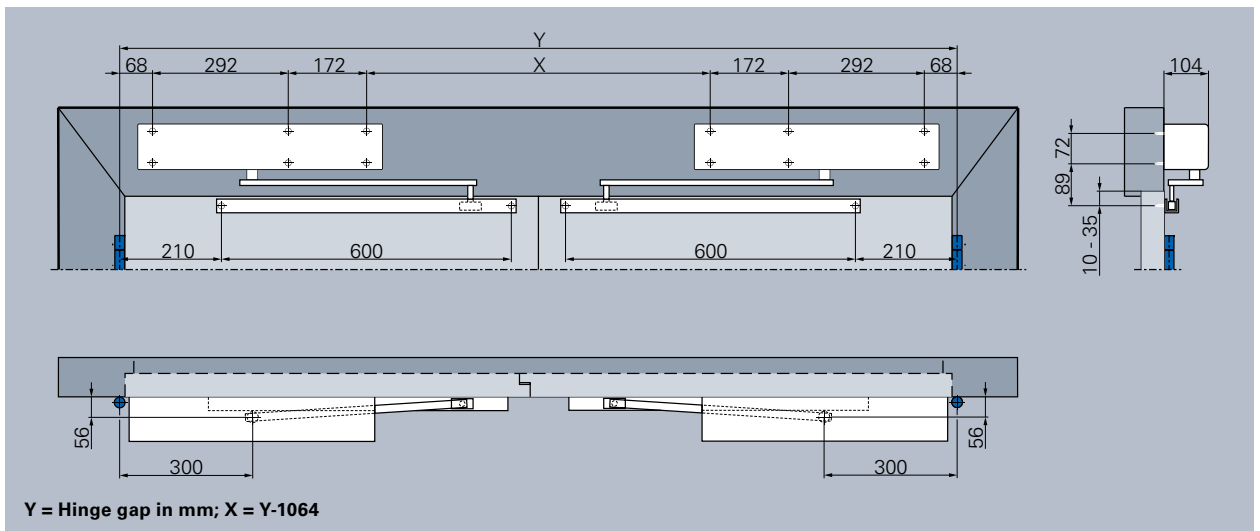


# Mounting drawing FDC

Double-wing door, illustration DIN right, DIN left laterally reversed



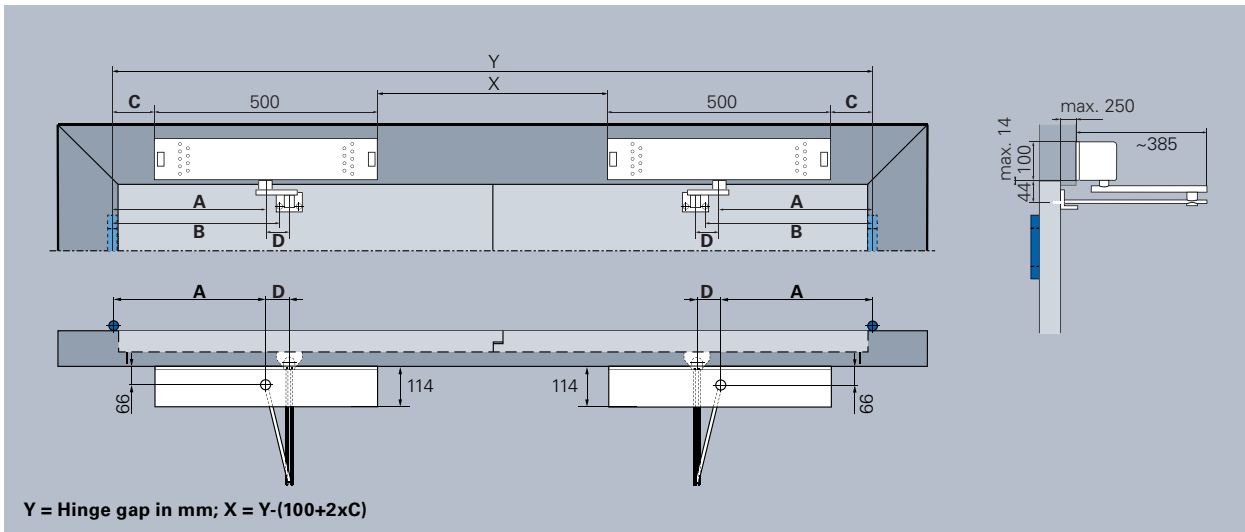
Double-wing execution with master and slave control, mounting with standard arm (hinge-opposite side)



Double-wing execution with master and slave control, mounting with slide rail (hinge side)

# Mounting drawing FDC-B

Double-wing door, illustration DIN right, DIN left laterally reversed

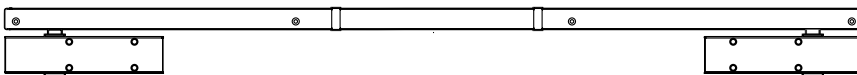


Double-wing execution with master and slave control or with mechanical closing sequence SR (for the use on smoke - and fire-protection doors) **F**

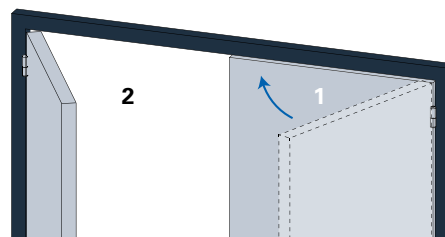
Please refer to following table in order to check for the corresponding closing force:

EN	Door width	A	B	C	D
EN 4	950 – 1.100 mm	265	378	15	135
EN 5	1.101 – 1.250 mm	285	348	35	85
EN 6	1.251 – 1.400 mm	374	413	124	61

## Mechanical closing sequence system for FDC / -B



The closing sequence selector ensures that in case of fire or power failure the door leaves are closing in the correct order. That means: passive leaf (1) first, active leaf (2) last.



Closing sequence selector	
Closing sequence selector SR	incl. two pivot hinges, automatisation of active and passive leaf
Closing sequence selector SR-TS	incl. pivot hinge and TS-61, automatisation of active leaf
Closing sequence selector SR-EF-1S	incl. pivot hinge and TS-61, automatisation of active leaf, hold-open in passive leaf
Dual locking device 1 / 2	for automatic locking and unlocking of passive leaf
MK Basis-1	Panic flap for full panic doors in fire protection

Airport Düsseldorf,  
Germany

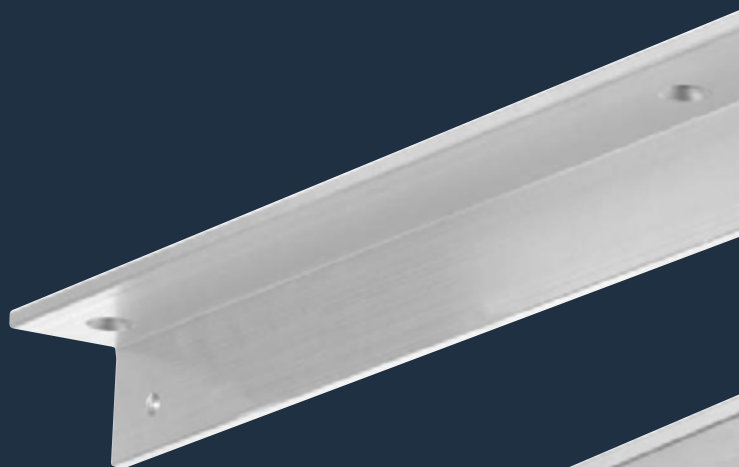


## **ECO Schulte** **Worldwide trust.**

For years, ECO products have been used everywhere in the world where quality, reliability and safety are important. ECO systems obtained acceptance by the connection of functionality and design.

We would like to take this opportunity to say how much we appreciate the trust ECO products enjoy throughout the world. We regard this as a challenge to meet the future requirements of our customers and of the market through continuous further development and demand-oriented production.

# ECO Accessories

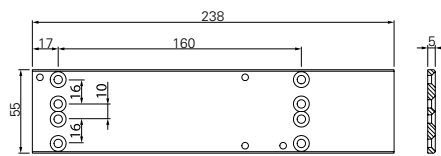


# ECO Mount

The special feature of the ECO Newton assembly system is that the mounting plate is completely concealed by the aluminium body of the closer, thus making it invisible. The mounting plate has standardized drill holes which guarantee time-saving, secure and simple attachment. Same version DIN left / right!



**EN 1154 A**



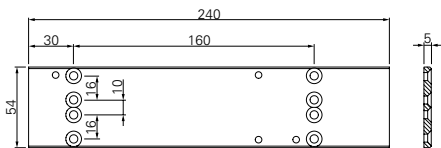
**For ECO Newton TS-61**

with DIN EN holes

Acc. to **EN 1154**, supplementary sheet 1.

Mounting plate	Article number	Material
<b>TS-61</b>	300300310000000	Aluminium F1, anodized

**EN 1154 A**



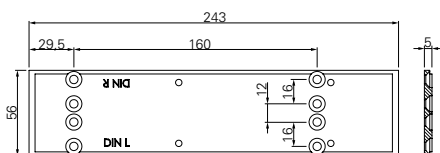
**For ECO Newton TS-51**

with DIN EN holes

Acc. to **EN 1154**, supplementary sheet 1.

Mounting plate	Article number	Material
<b>TS-51</b>	300300320000000	Aluminium F1, anodized

**EN 1154 A**



**For ECO Newton TS-41, TS-31, TS-50**

with DIN EN holes

After mounting the sides of the mounting plate are still visible.

Acc. to **EN 1154**, supplementary sheet 1, only with slide rail B and TS-50

Mounting plate	Article number	Material
<b>TS-41, TS-31, TS-50</b>	30960011A	Aluminium F1, anodized
<b>TS-41, TS-31, TS-50</b>	30960011E	White RAL 9016
<b>TS-41, TS-31, TS-50</b>	30960011D	Brown RAL 8014
<b>TS-41, TS-31, TS-50</b>	30960011G	Black RAL 9005



## ECO COVER<sup>2</sup>

The full cover is an optional stainless steel covering for the ECO Newton door closers and related slide rails. The overall appearance is perfected by a lever arm with a stainless steel look. A cover on the closer body is available for standard arm closers.

ECOcover<sup>2</sup> can be ordered as set on request.



### For the door closer body

Finish: Stainless steel polished or satin

Full cover for	Colour	Article number	Full cover for	Colour	Article number
ECO Newton TS-61	Stainless steel satin	350400052Q00001	ECO Newton TS-61	Stainless steel polished	350400052Q00002
ECO Newton TS-51	Stainless steel satin	350400053Q00001	ECO Newton TS-51	Stainless steel polished	350400053Q00002
ECO Newton TS-41	Stainless steel satin	350400054Q00001	ECO Newton TS-41	Stainless steel polished	350400054Q00002
ECO Newton TS-31	Stainless steel satin	350400054Q00001	ECO Newton TS-31	Stainless steel polished	350400054Q00002
ECO Newton TS-50	Stainless steel satin	350400054Q00001	ECO Newton TS-50	Stainless steel polished	350400054Q00002
ECO Newton TS-20	Stainless steel satin	350400054Q00001	ECO Newton TS-20	Stainless steel polished	350400054Q00002

### For the slide rail

Finish: stainless steel polished or satin

Full cover for	Colour	Article number	Full cover for	Colour	Article number
Slide rail B	Stainless steel satin	350400050Q00001	Slide rail B	Stainless steel polished	350400050Q00002

### Arm for slide rail B

Steel zinc plated, lacquered in silver

Arm for slide rail B	Colour	Article number
ECO Newton TS-61/51	Silver RAL 9006	3056100013
ECO Newton TS-41/31	Silver RAL 9006	30S4100013

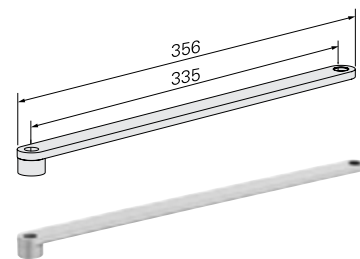
Stainless steel polished

Arm for slide rail B	Colour	Article number
ECO Newton TS-61/51	Stainless steel polished	30S6100046
ECO Newton TS-41/31	Stainless steel polished	30S110000Q1

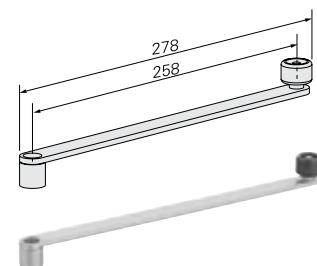
### Arm for slide rail K

Steel zinc plated, lacquered in silver

Arm for slide rail K	Colour	Article number
ECO Newton TS-41/31	Silver RAL 9006	30S3100013



Arm for slide rail B



Arm for slide rail K

## Accessories – Hold-open arm, standard arm, panic flap

### Standard arm

Steel zinc plated



Standard arm	Colour	Article number	Standard arm	Colour	Article number
ECO Newton TS-20/50	Silver RAL 9006	350100000A70000	ECO Newton TS-14-16	Silver RAL 9006	350100000A70000
ECO Newton TS-20/50	White RAL 9016	350100000E70000	ECO Newton TS-14-16	White RAL 9016	350100000E70000
ECO Newton TS-20/50	Brown RAL 8014	350100000D70000	ECO Newton TS-14-16	Brown RAL 8014	350100000D70000
ECO Newton TS-20/50	Black RAL 9005	350100000G70000	ECO Newton TS-14-16	Black RAL 9005	350100000G70000

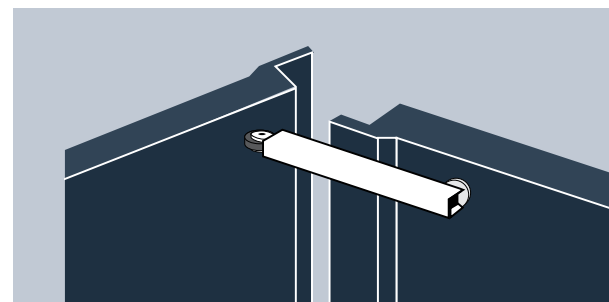
### Hold-open arm

The hold-open offers an additional hold-open function to fix the door. Steel zinc-plated. Hold-open angle 70° - 130°. Hold-open force adjustable.

Not allowed for the use on fire-protection doors.



Hold-open arm	Colour	Article number	Hold-open arm	Colour	Article number
ECO Newton TS-20/50	Silver RAL 9006	350100000A77000	ECO Newton TS-14/15/16	Silver RAL 9006	350100000A77000
ECO Newton TS-20/50	White RAL 9016	350100000E77000	ECO Newton TS-14/15/16	White RAL 9016	350100000E77000
ECO Newton TS-20/50	Brown RAL 8014	350100000D77000	ECO Newton TS-14/15/16	Brown RAL 8014	350100000D77000
ECO Newton TS-20/50	Black RAL 9005	350100000G77000	ECO Newton TS-14/15/16	Black RAL 9005	350100000G77000



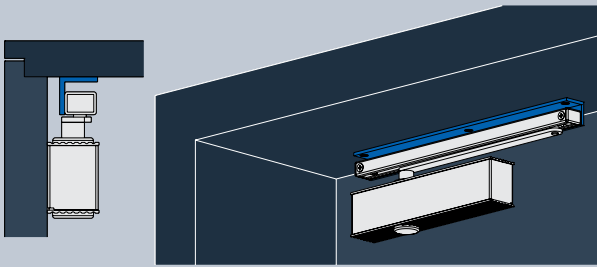
Panic flap MK Basis-1

### Panic flap MK Basis

The closing sequence ensures that the active and passive leaf are closing in the correct order, e.g. the passive leaf first, active leaf last. The function of the closing sequence is only given if the active leaf is opened up to a certain angle. If the passive leaf is opened first (full panic version), the panic flap ensures that also the active leaf opens to such extent that the closing sequence can control the active leaf. Material: steel with nylon roll, zinc-plated (silver colour)

When mounting on the closing sequence hinge-opposite side, please order the extended version MK Basis-2. Tested by MPA-NRW (state-owned testing facility).

Panic flap	Colour	Article number
<b>MK Basis-1 (hinge-opposite side)</b>	Silver RAL 9006	306107024300080
<b>MK Basis-2 (for closing sequence hinge-opposite side)</b>	Silver RAL 9006	306107331300225

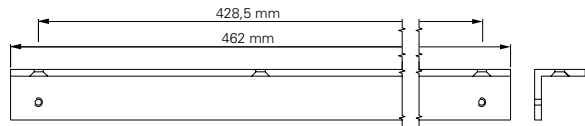


Under-lintel angle for standard mounting door closer with slide rail

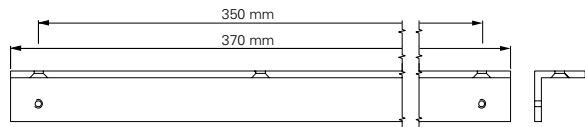


**Under-lintel angle for slide rail B and K**

For standard mounting installation of the slide rail on hinge-opposite side for doors with deep door lintels. Under-lintel angle made of aluminium.

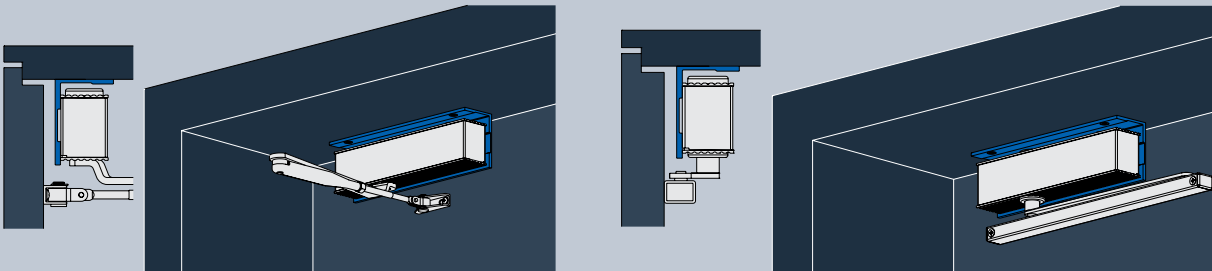


Under-lintel angle for slide rail B



Under-lintel angle for slide rail K

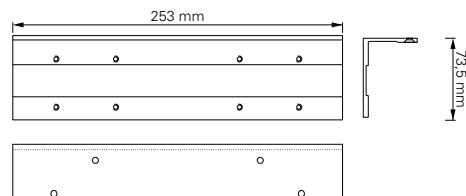
Under-lintel angle	Material	Article number
<b>Under-lintel angle slide rail B</b>	Aluminium	350300J00A00000
<b>Under-lintel angle slide rail K</b>	Aluminium	300340E00A00000



Under-lintel angel for head mounting door closer with standard arm (l.) or door closer with slide rail (r.).

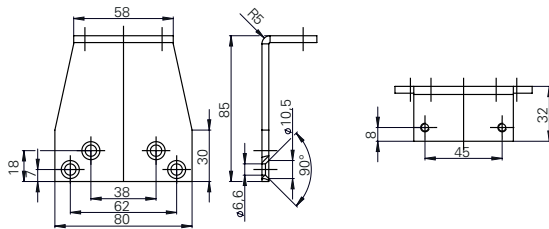
**Under-lintel angle for door closers with slide rail / standard arm**

For head mounting of the door closer on hinge-opposite side for doors with deep door lintels. Under-lintel angle made of aluminium.

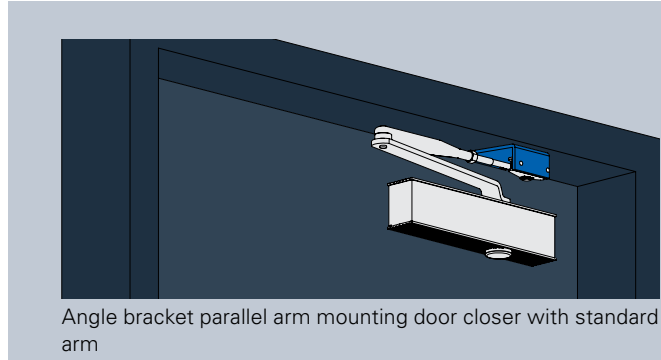


Under-lintel angle	Article number
ECO <b>Newton TS-61</b>	350310E00A00000
ECO <b>Newton TS-51</b>	350320E00A00000
ECO <b>Newton TS-41/31/50/20</b>	300330E00A00000





Angle bracket for standard arm

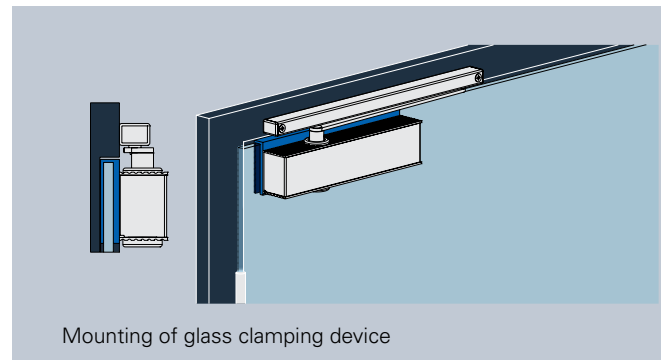


**Angle bracket for ECO Newton TS-50/20**

For mounting the standard arm on the hinge-opposite side an profile frame constructions as well as over-rebated wooden doors with slim steel frames.

Not permitted to use on fire-and smoke control doors.

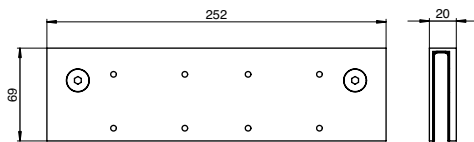
Angle bracket	Material	Article number
Angle bracket	Steel zinc plated	350300B00A00000



**Glass clamping device for ECO Newton TS-41**

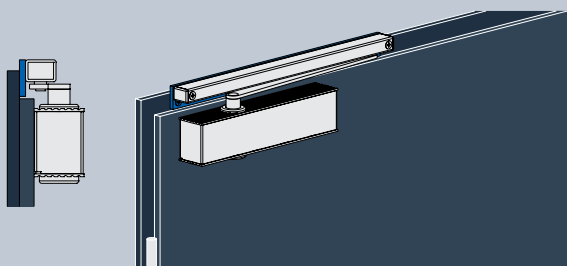
Clamping device made of aluminium, silver coated for fixing an ECO door closer ECO Newton TS-41 onto a glass door.

Suitable for 8-10 mm glass (toughened safety glass). Same version DIN left and DIN right. Including threaded holes for the door closer. Aluminium F1 silver coated.



Glass clamping device ECO Newton TS-41

Glass clamping device	Colour	Article number
Aluminium	F1 coated	350310600A00000
Aluminium	White RAL 9016 coated	350310600E00000
Aluminium	Brown RAL 8014 coated	350310600D00000
Aluminium	Stainless steel finish coated	350310600Q00000



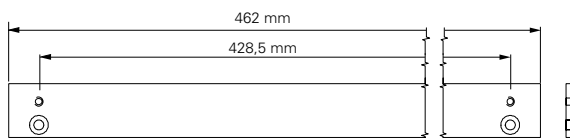
Adaptor profile for standard mounting door closer with slide rail



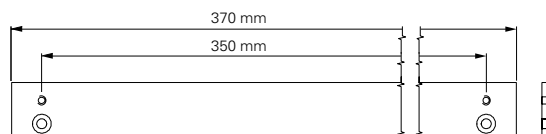
**Adaptor profile for slide rail B and K**

For installation of the slide rail on the pull side on profile door constructions as well as over-rebated wooden doors with slim steel frames.

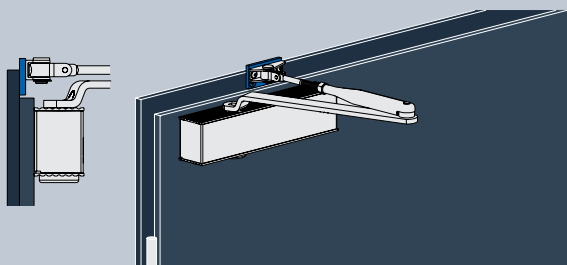
Adaptor profile	Dimensions	Material	Article number
<b>Adaptor profile B</b>	428,5 mm	Steel zinc plated	350300R00A00010
<b>Adaptor profile K</b>	350 mm	Steel zinc plated	350300S00A00000



Adaptor profile for slide rail B



Adaptor profile for slide rail K



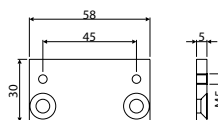
Adaptor profile for standard mounting door closer with standard arm



**Adaptor profile for door closer with standard arm  
ECO Newton TS-50/20**

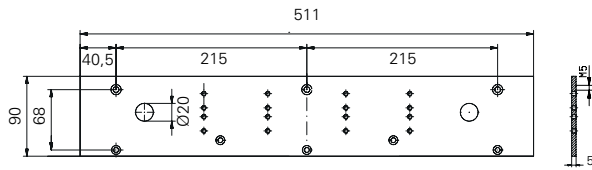
For installation of the slide rail on the pull side on profile door constructions as well as over-rebated wooden doors with slim steel frames.

Adaptor profile	Dimensions	Material	Article number
<b>Door closer with standard arm</b>	58 mm	Steel zinc plated	300300A00( )00000





### Accessories – Adaptor profiles



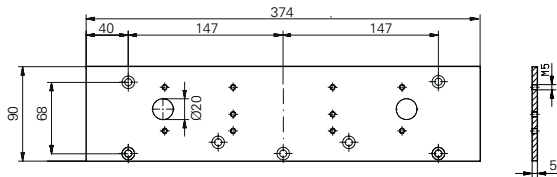
Adaptor profile for FTS

### Adaptor profile

#### for steel frame installation of FTS 63 and FTS 63 R

For installation of the FTS on the pull side on steel frame door constructions.

Mounting plate	Article number	Material
<b>FTS-63</b>	350300M00A00001	Steel zinc plated
<b>FTS-63 R</b>	350300M00A00000	Steel zinc plated



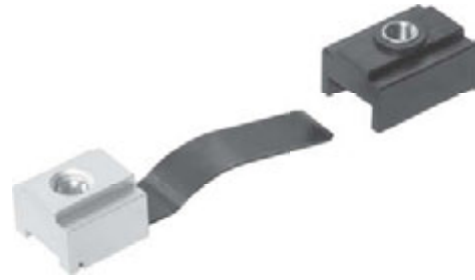
Adaptor profile for FTS-R

## Accessories - Hold open

### Accessory set FKL

Mechanical locking device for belated assembly in slide rail B. Not permitted for use in fire protection. 30 x 21 mm.

Suitable for slide rail B.



Mechanical locking device FKL	Article number
FKL-GS-B	350100000056200

### Accessory set MOL I slide rail Basis \*

Mechanically adjustable opening limit for the slide rail B (Basis) The opening angle can be locked by moving the MOL in the slide rail. 30 x 20 mm.



Mechanically adjustable opening limit	Article number
ÖB-GS-B	350100000054000

### Accessory set MOL II ITS 20 x 20 \*

Mechanically adjustable opening limit for the slide rail ITS 20 mm x 20 mm. The opening angle can be locked by moving the MOL in the slide rail.



Mechanically adjustable opening limit	Article number
ÖB-ITS-BII	350100000053600

### Accessory set MOL III ITS 20 x 12 \*

Mechanically adjustable opening limit for the slide rail ITS 20 mm x 12 mm. The opening angle can be locked by moving the MOL in the slide rail.



Mechanically adjustable opening limit	Article number
ÖB-ITS-BIII	350100000053500

### ECO pivot hinge MOL 31 with door stopper function

Free-running pivot hinge with adjustable opening limit. Opening angle can be adjusted between 80 - 130° by moving the MOL in the slide rail. The door shock is absorbed by the rubber part and thus takes over the door stopper function if no floor stopper can be installed.

Consists of

Pivot hinge with stainless steel cover (TS-31 body empty, without spring and oil), mounting plate, slide rail B with MOL, arm (long) with four edges



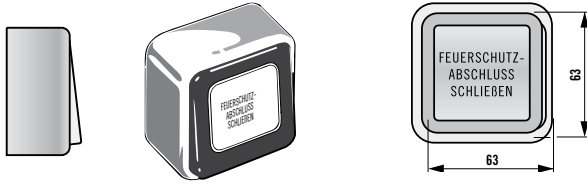
Mechanically adjustable opening limit	Article number
Pivot hinge MOL 31 with mechanically adjustable opening limit	30311100A01010

#### \* NOTE!

To be used on light interior doors only. Normal use of door is recommended. Incorrect use or heavy doors increases the load on the hinges! Standard mounting pull side or push side (using an under-lintel angle). Installation according to DIN holes acc. to EN.

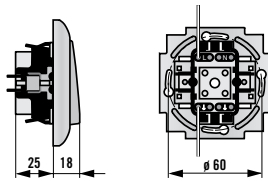


ECO

**Accessories for hold-open devices (except ITS / FTS)**

**Interrupt button for hold-open devices - surface mounted**

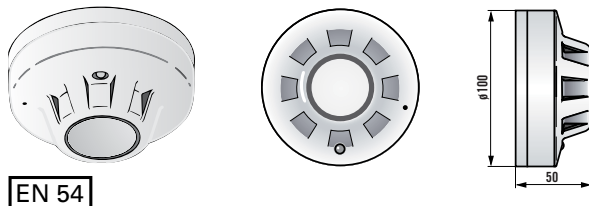
Contact: opener  
 Switching voltage: Max. 30 VDC  
 Switching current: Max. 1 A  
 Degree of protection: IP 20

Interrupt button	Article number
<b>Interrupt button for hold-open devices</b>	35040005


**Interrupt button for hold-open devices - in-wall mounted**

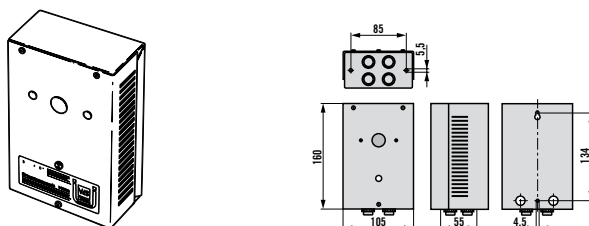
Contact: opener  
 Switching voltage: Max. 30 VDC  
 Switching current: Max. 1 A  
 Degree of protection: IP 20

Interrupt button	Article number
<b>Interrupt button for hold-open devices</b>	35040053


**Floor smoke detector for hold-open devices**

Supply voltage: 9 - 33 V direct current  
 Power consumption: 25 mA bei 24 V  
 Temperature range: -20°C to 60°C  
 Loading capacity: 1 A bei 24 V DC  
 Casing: white (nylon)

Smoke detector	Article number
<b>RM 3000</b>	350200000052000


**Power supply unit**

Supply voltage: 230 V AC  
 Power consumption: 0,1 A  
 Output voltage: 24 V DC  
 Output current: 450 mA  
 Ambient temperatur: -10°C to 40°C  
 Colour: stainless steel white coated

Power supply unit	Article number
<b>35SVE24VDC</b>	35SVE24VDC

## Accessories for hold-open devices (except ITS / FTS)

### Electromagnetic door retainer with swinging head

EM GD 60 S 175

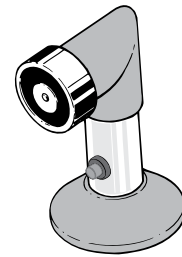
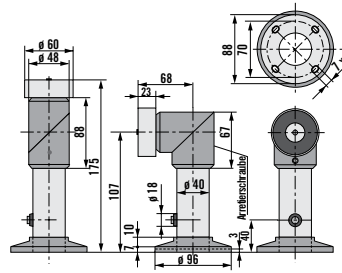
Colour: zinc-plated / powder-coated RAL 9010

Supply voltage: 24 V DC

Power consumption: 79 mA (1,9 W)

Temperature range: -20°C to 60°C

Holding force: 1.000 N



DIN EN 1155

Electromagnetic door retainer	Article number
Electromagnetic door retainer with swinging head	35EMGD60S175

### Electromagnetic door retainer with connection terminal

EM GD 60 F 26

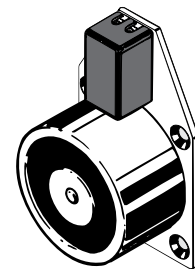
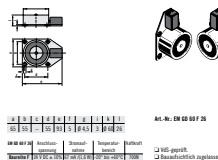
Colour: magnet and base plate zinc-plated

Supply voltage: 24 V DC

Power consumption: 67 mA (1,6 W)

Temperature range: -20°C to 60°C

Holding force: 700 N



DIN EN 1155

Electromagnetic door retainer	Article number
Electromagnetic door retainer with connection terminal	35EMGD60F26

### Electromagnetic door retainer with cover cap

EM GD 60 F 26

Colour: magnet and base plate zinc-plated

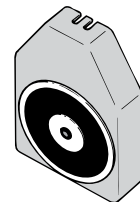
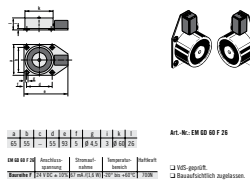
Supply voltage: 24 V DC

Power consumption: 79 mA (1,9 W)

Temperature range: -20°C to 60°C

Holding force: 1.000 N

Casing: white (nylon)



Electromagnetic door retainer	Article number
Electromagnetic door retainer with cover cap	35EMGD60F26A

### Electromagnetic door retainer with interrupt button

EM GD 60 F 26 T

Colour: magnet and base plate zinc-plated

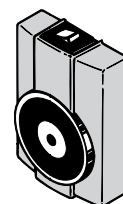
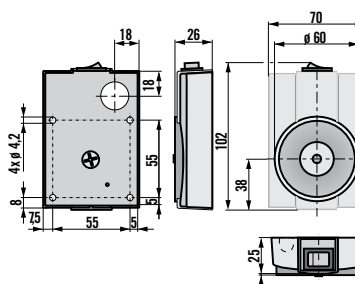
Supply voltage: 24 V DC

Power consumption: 79 mA (1,9 W)

Temperature range: -20°C to 60°C

Holding force: 1.000 N

Casing: white (nylon)

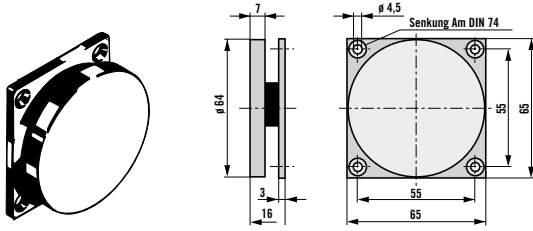


Electromagnetic door retainer	Article number
Electromagnetic door retainer with interrupt button	35EMGD60F26T



ECO

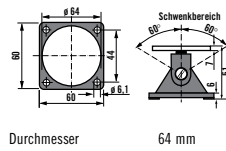
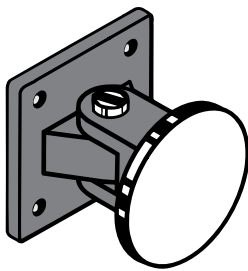
**Accessories for hold-open devices (except ITS / FTS)**



**Flexible armature**

with rubber base  
AP GD 60 G 16  
Anchor plate: Ø 64 mm x 7 mm  
Rubber-based support: 20 mm

Anchor	Article number
Flexible armature	35APGD60G16



**Anchor plate swivelling armature**

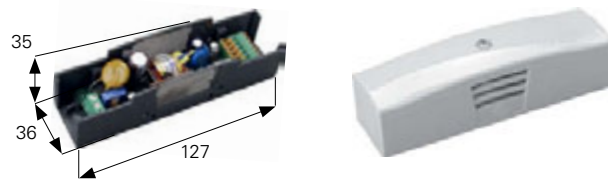
AP GD 60 W 50  
Anchor plate: Ø 64 mm x 7 mm  
Angular freedom: ± 60°

Anchor plate	Article number
Swivelling armature	35APGD60W50

## Accessories for hold-open devices (with ITS / FTS)

### Power supply unit NAG 02

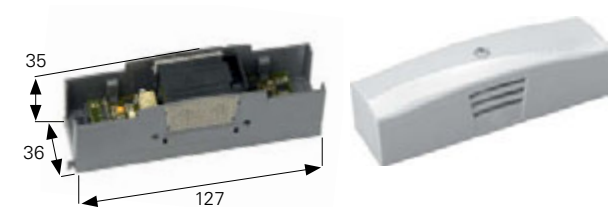
Input voltage: 230 V AC, power consumption: 21 VA, output voltage: 24 V DC, output current: 460 mA, power output: 10,8 W, relay contact: potential-free changer, switching voltage: 30 V DC, switching current: 1 A, switching capacity: 30 W, degree of protection in case: IP 40, security class: II, UeSpKat.: II, ambient temperature: +5°C - + 40°C



Power supply unit	Article number
<b>NAG 02</b>	35NAG025400082
<b>Cover for NAG</b>	354300735

### Smoke switch ORS 142 W - standard

Function: scattered light, alarm level smoke: acc. to **EN 54**, part 7, release temperature:  $70 \pm 5^\circ \text{C}$ , supply voltage: 18 to 24 VDC, power input at 28 VDC max. 22 mA, degree of protection: IP 42, ambient temperature: -20 to +75°C



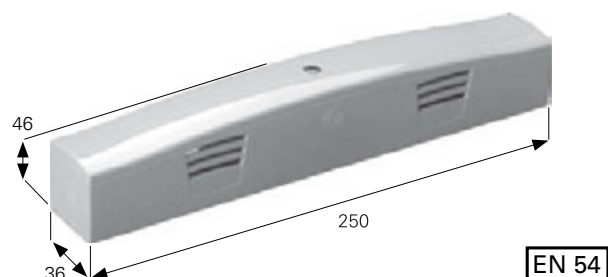
Smoke switch	Article number
<b>ORS 142 W</b>	355000572
<b>Cover for ORS 142 W</b>	354300735

**EN 54**

### RSZ standard (smoke inducting system)

Smoke inducting system consists of smoke detector ORS 142 and power supply NAG 02.

Smoke inducting system	Article number
<b>Standard</b>	35RSZ1420008



**EN 54**

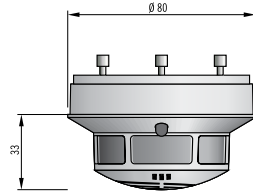




ECO

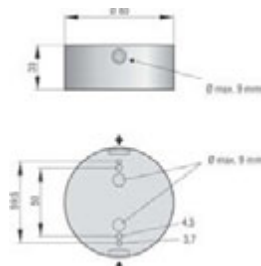
**Accessories for combination with ITS / FTS**


EN 54


**ORS 142 smoke switch**

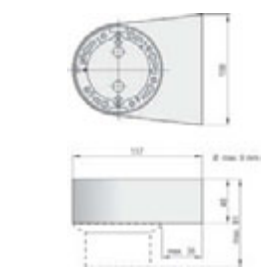
Smoke detection: acc. to **EN 54**, part 7, temperature: 70°C, supply voltage: 18 – 28 V DC, power input at 28 V DC, at rest 22 mA, at an alarm 11 mA, at a disruption 16 mA, relay contact: opener, switch voltage: 30 V DC, switch flow: 1 A, breaking capacity: 30 W, degree of protection: IP 42, temperature range: -20°C to 60°C, casing: white (nylon)

Smoke switch	Colour	Article number
<b>ORS 142</b>	White RAL 9010	35020000052100


**Mounting plate for ORS 142**

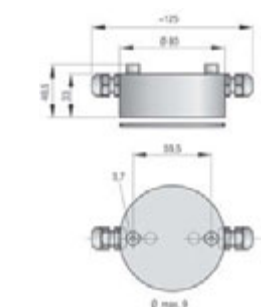
For installation of smoke switch ORS 142 on-wall.

Mounting plate for ORS 142	Colour	Article number
<b>ORS 143 A</b>	White RAL 9010	35500350


**Mounting plate for ORS 142**

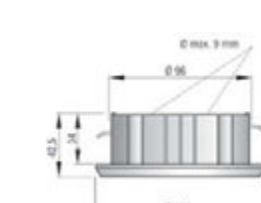
Mounting plate for wall-mounting.

Mounting plate for ORS 142	Colour	Article number
<b>ORS 143 W</b>	White RAL 9010	355000513


**Surface-mounted mounting plate for ORS 142 in moist rooms**

For installation of smoke switch ORS 142 on-wall in moist rooms.

Mounting plate for ORS 142	Colour	Article number
<b>ORS 143 AF</b>	White RAL 9010	355000356


**Mounting plate for ORS 142 in hollow ceilings**

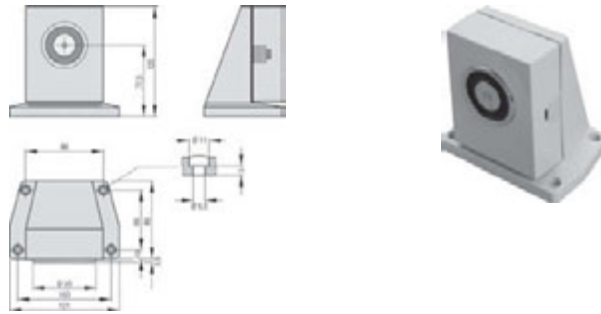
For installation of smoke switch ORS 142 in hollow ceilings.

Mounting plate for ORS 142	Colour	Article number
<b>ORS 143 UH</b>	White RAL 9010	355000359

## Accessories for combination with ITS / FTS

### Electromagnetic door retainer THM 413

Rated operating voltage: 24 VDC  
 Power consumption: 63 mA  
 Input power: 1,5 W  
 Holding force: 490 N  
 Duty rating: 100%  
 Degree of protection: IP 40



Electromagnetic door retainer	Article number
THM 413	356500002

### Electromagnetic door retainer THM 425/425-1

Rated operating voltage: 24 VDC  
 Power consumption: 63 mA  
 Input power: 1,5 W  
 Duty rating: 100%  
 Degree of protection: IP 40



Electromagnetic door retainer	Adhesive force (Newton)	Article number
THM 425	490 N	356500016
THM 425-1	1372 N	356500020

### Electromagnetic door retainer THM 433/433-1

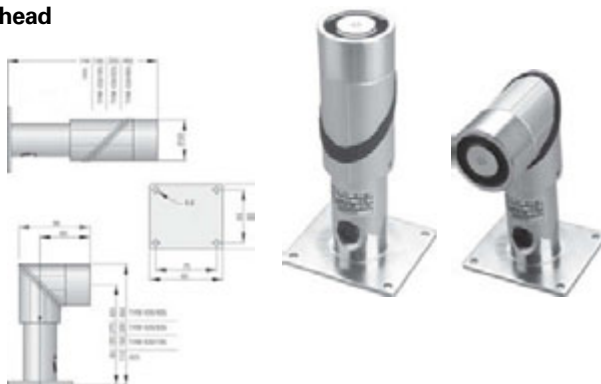
Rated operating voltage: 24 VDC  
 Power consumption: 63 mA  
 Input power: 1,5 W  
 Duty rating: 100%  
 Degree of protection: IP 40



Electromagnetic door retainer	Adhesive force (Newton)	Article number
THM 433	490 N	356500096
THM 433-1	1372 N	356500097

### Electromagnetic door retainer THM 439/185 with swinging head

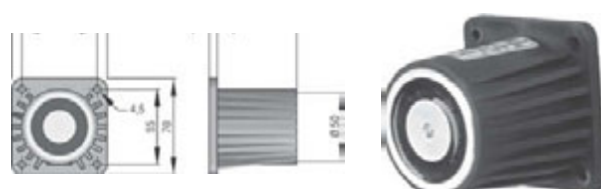
Rated operating voltage: 24 VDC  
 Power consumption: 63 mA  
 Input power: 1,5 W  
 Holding force: 490 N  
 Duty rating: 100%  
 Degree of protection: IP 40



Electromagnetic door retainer	Length	Article number
THM 439/185	185 mm	356500129
THM 439/335	335 mm	356500127
THM 439/485	485 mm	356500128

### Electromagnetic door retainer THM 440

Rated operating voltage: 24 VDC  
 Power consumption: 63 mA  
 Input power: 1,5 W  
 Holding force: 490 N  
 Duty rating: 100%  
 Degree of protection: IP 40



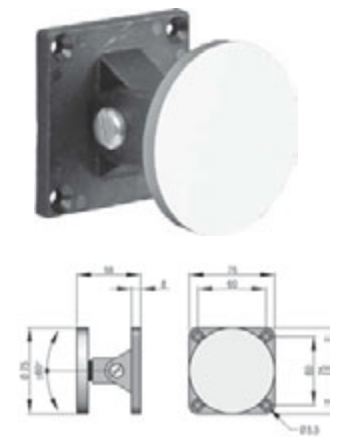
Electromagnetic door retainer	Article number
THM 440	356500109


**Accessories for combination with ITS / FTS**

**Anchor plate AFS 55 - Flexible armature suitable for THM 413, 433, 439 and 440**

Anchor plate:  $\varnothing$  55 mm x 5 mm  
 Angular freedom:  $\pm 60^\circ$

Anchor plate	Article number
AFS 55	356500102


**Anchor plate AFS 75 - Flexible armature suitable for THM 425, 425-1, 433-1**

Anchor plate:  $\varnothing$  75 mm x 5 mm  
 Angular freedom:  $\pm 60^\circ$

Anchor plate	Article number
AFS 75	356500103


**Anchor plate ATS 55 - Telescopic anchor suitable for THM 413, 433, 439 and 440**

Anchor plate:  $\varnothing$  55 mm x 5 mm  
 Swept volume: 20 mm

Anchor plate	Article number
ATS 55	356500100


**Anchor plate ATS 75 - Telescopic anchor suitable for THM 425, 425-1 and 433-1**

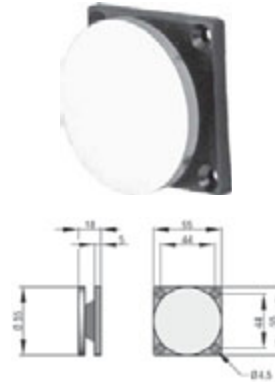
Anchor plate:  $\varnothing$  75 mm x 5 mm  
 Swept volume: 20 mm

Anchor plate	Article number
ATS 75	356500101

**Anchor plate ASS 55**  
suitable for THM 413, 433, 439 and 440

Anchor plate: Ø 55 mm x 5 mm  
Rubber-based support: 8 mm

Anchor plate	Article number
ASS 55	356500023



**Anchor plate ASS 65**  
suitable for THM 425

Anchor plate: Ø 65 mm x 5 mm  
Rubber-based support: 8 mm

Anchor plate	Article number
ASS 65	356500024



**Anchor plate ASS 75**  
suitable for THM 425-1

Anchor plate: Ø 75 mm x 5 mm  
Rubber-based support: 8 mm

Anchor plate	Article number
ASS 75	356500025



**Test gas 918/5**

Test gas 918/5 for operation test (simulating the smoke detection) of the smoke switches / smoke buttons.  
Free from halogenated carbon hydride (FCKW or other).

Test gas	Article number
918/5	356900124



**Mounting plate**

Necessary for fire-rated doors as well as mounting on brickwork

Mounting plate	Article number
MPL	358500547394000

**Door stop**

Mechanical stop where no floor stop can be set.

Range of use: FDC/-B in connection with standard or slide arms. Not possible with short shims and low-level installation.

When connected with the FC-B, the mounting plate must also be installed.

Must be installed +50 mm with axis extension!

Door stop	Article number
OA	358500547124000

**Brake for holding magnet**

For a 90° setting for the function "permanent open" (retrofit kit)

Brake for holding magnet	Article number
HMB	358500547467000

**Axis extension**

To be used for special mountings

Axis extension		Article number
Axis extension 20 slide arm	20 mm	358500547111000
Axis extension 50 slide arm	50 mm	358500547112000
Axis extension 20 standard arm	20 mm	358500547111000
Axis extension 50 standard arm	50 mm	358500547112000

**BEDIS control device complete**

For setting all control functions as well as programming via switch function with LED status display



Sense switch	Article number
Bedis	35850723150000

**Key sense switch (in-wall mounted)**

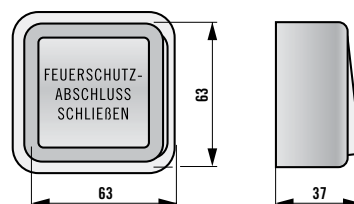
For setting all control functions as well as programming via switch function with LED status display



Sense switch	Article number
SPS	358506442602000

**Interrupt button HAT 02 AP / UP**

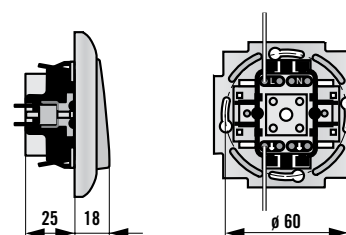
Surface mounted / in-wall mounted  
 Contact: Opener switching voltage: Max. 30 VDC  
 Switching current: Max. 1 A, Degree of protection IP 20



Interrupt button	Article number
HAT 02 AP/UP	356500143

**Flip switch**

Function Door "OPEN".  
 System of protection IP 40  
 80x80 mm



Interrupt button	Article number
HAT AUF AP/UP	358506443211000

**Flip switch**

Function Door "OPEN". Supply voltage 250 VAC / 30 VDC Current consumption max. 10 AAC / 2 ADC System of protection IP 40 225x83 mm

Flip switch		Article number
GFT	platinum grey (RAL 7036)	358506443210000

**Elbow switch**

For the use with arm or elbow.  
For the use in sanitary areas.

Elbow switch	Article number
EBT	358500734282000

**Radar 1000 Domino**

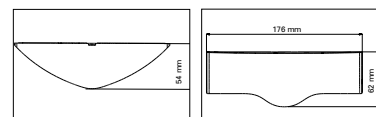
Radars motion detector which acts as surge generator for automatic doors.

Radar 1000 Domino	Article number
Domino 1000	358506466127000

**Radar Merkur SE/F**

Radars motion detector which acts as surge generator for automatic doors, direction - sensitive.

Radar Merkur SE/F	Article number
Merkur SE/F	358506466126000



**Sensor strip**

Active infrared sensor for automatic doors. Secures the pedestrian traffic area. Stops and reverses when detecting obstacles.

**DIN 18650**

Sensor strip	Article number
with 2 sensors, length up to 1100 mm (can be shortened)	358506452243000
with 3 sensors, length up to 1500 mm (can be shortened)	358506466402000


**Finger protection shade**

Protection of squeezing points between door leaf and door frame at the hinge-opposite side.

Belated mounting possible.

Finger protection shade	Height	Article number
<b>FSR</b>	1920 mm	3504710132

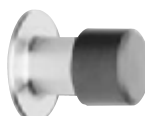
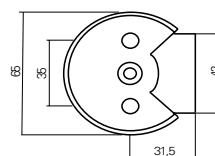
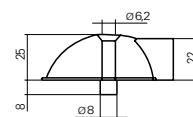

**Door stop**

Stainless steel, satin  
Including fixing material

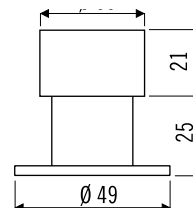
Door stop	Article number
BS 65	257009.46
WS 46	257008.46



Door stop BS 65

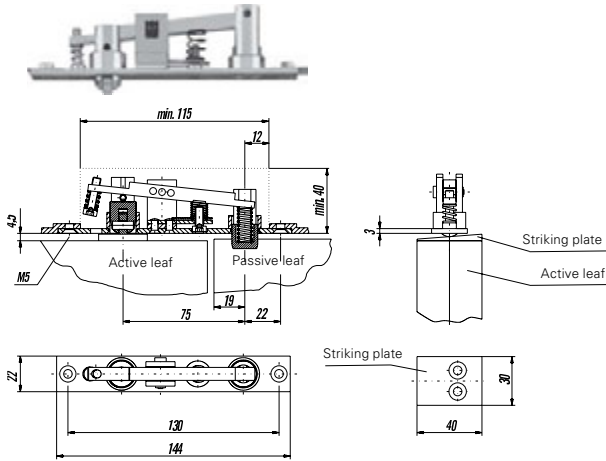


Door stop WS 46





## Accessories FDC / -B



### Dual locking device system 1

The passive door leaf is locked when the active door leaf is closed since the indexing bolt is pushed up, causing the locking bolt to engage in the passive door leaf. The passive door leaf is likewise unlocked when the active door leaf is opened since the locking bolt is retracted by spring pressure. The pressure of the door closer ensures that the passive door leaf remains in closed position.

Delivery includes striking plate.

Dual locking device system	Article number
Dual locking device system 1	204585500000000



### Dual locking device system 2

In addition to system 1 the top fastening, the passive door leaf can also be locked at the bottom. A continuous locking bar is built into the passive door leaf in a resilient mounting. The locking bolt presses against the locking bar which engages in the ground, securing the passive door leaf. When the active door leaf is opened, the locking bolt is pulled back and the locking bar is in its initial position.

Scope of delivery included locking bar (2.500 mm).

Dual locking device system	Article number
Dual locking device system 2	204586500000000

